

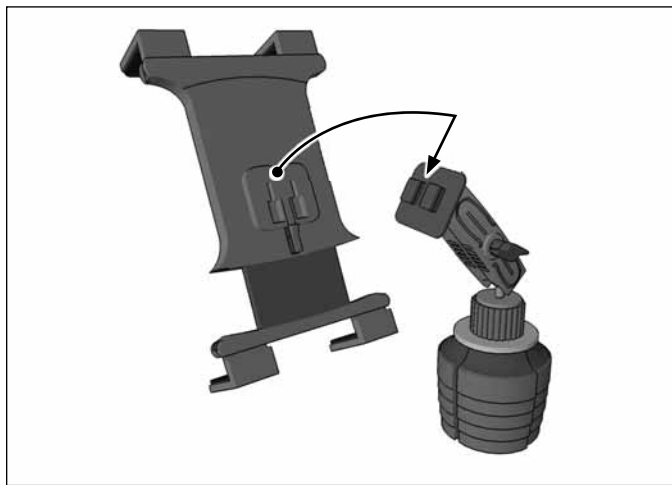


Package Contents:

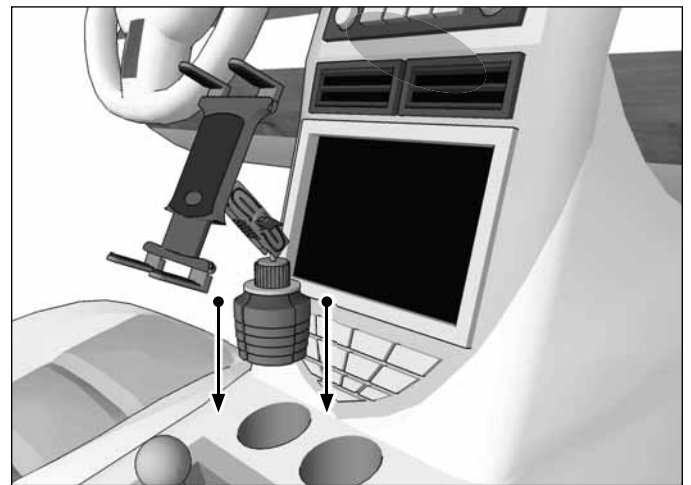
- (1) **SPRM023** – Heavy-Duty Car Cup Holder Mounting Pedestal
- (1) **TAB001** – Slim-Grip® Universal Tablet Holder
- (1) **APRM2T** – 25mm to Dual T-Tab Adapter
- (1) **SP-RM200** – Robust Mount Shaft

Slim-Grip® Universal Tablet Holder is compatible with tablets 8.9"-12.9" in screen size, including iPad Pro. Included with the holder are 8 support legs (4 short and 4 longer versions) that can be customized to provide the perfect fit for your tablet.

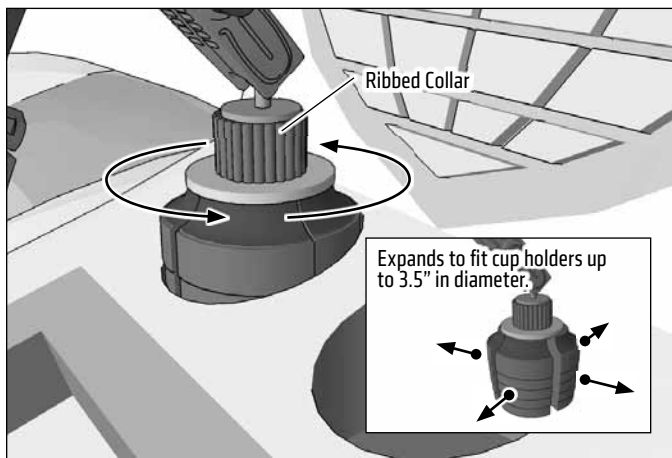
- 1** Attach tablet holder to pedestal by sliding the T-Tabs of the adapter into the T-Slots of the tablet holder.



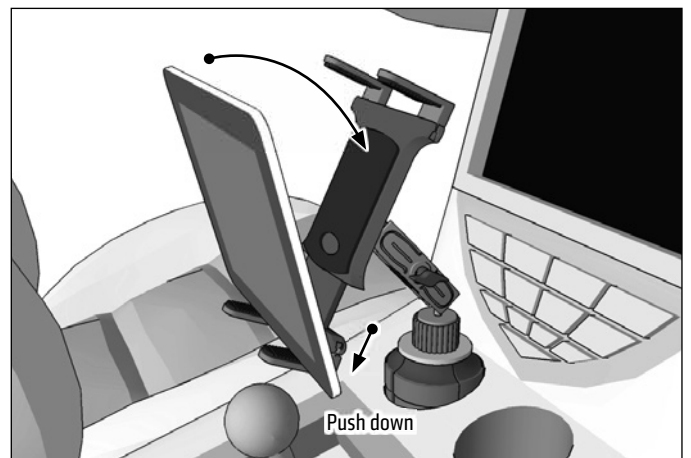
- 2** Insert mount into car cup holder.



- 3** Twist ribbed collar counterclockwise to expand base to fit cup holder. Expands to fit cup holders up to 3.5 inches in diameter.



- 4** Insert tablet by pushing down on the lower legs to engage the spring-loaded mechanism. Adjust support legs as necessary.



! Safety Precautions
Do not install Arkon products over an air bag cover or within the air bag deployment zone. Arkon Resources, Inc. assumes no responsibility of liability for injury or death as a result of car crashes and / or air bag deployment.

Arkon is not responsible for any damages caused to your vehicle, your device, or yourself due to the installation or use of this mounting pedestal.

ARKON
RESOURCES INC. *The Mobile Mounting Specialists™*