

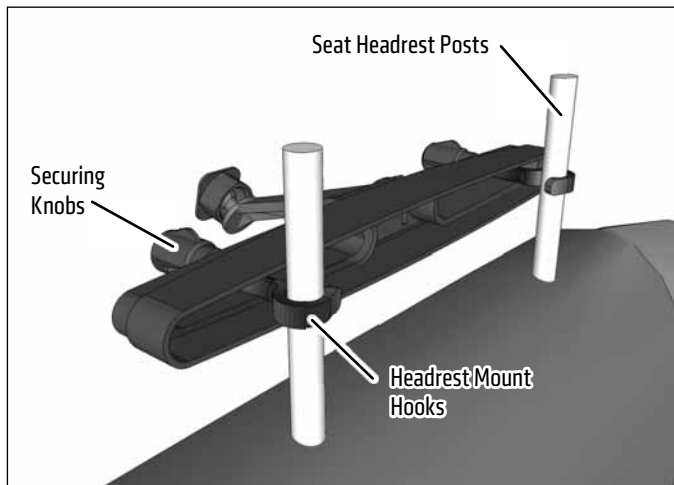


TABPBHM7

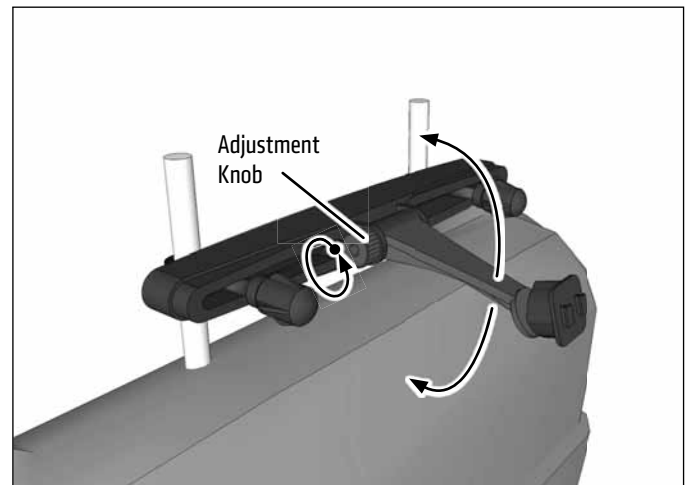
**Package Contents:**

- (1) HM007-SBH – Car Headrest Mounting Pedestal with Adjustable Arm
- (1) TAB003 – Universal Tablet Push-Button Holder

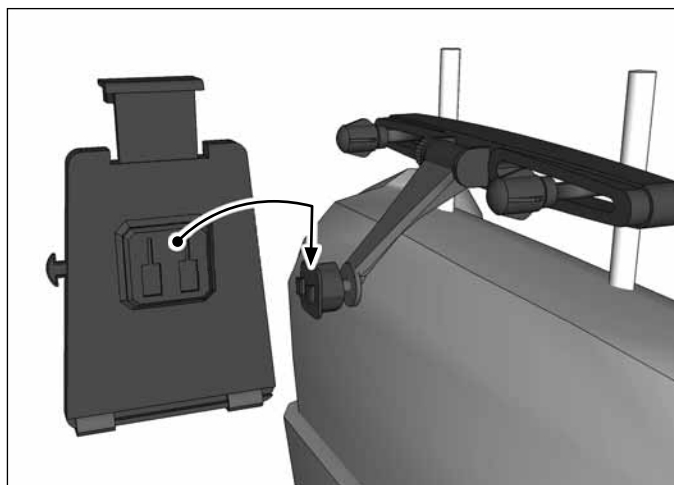
- 1** Raise the vehicle's headrest and place the headrest mount hooks around the headrest posts. Tighten the securing knobs.



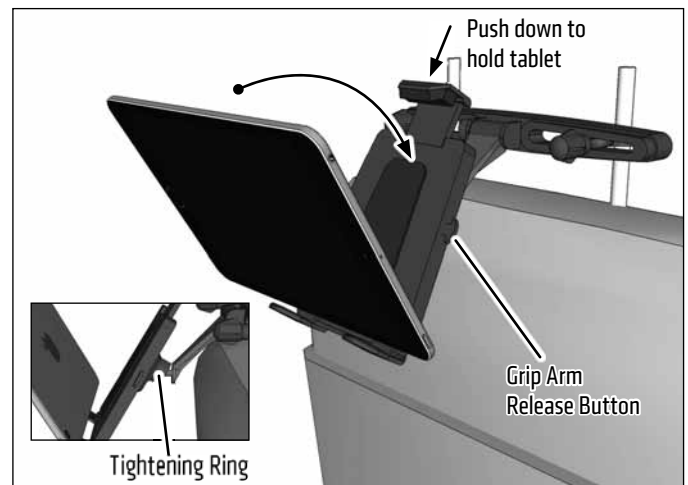
- 2** Loosen adjustment knob to reposition mount arm. Retighten to set.



- 3** Attach tablet holder by sliding the Dual T-Tabs into the Dual T-Slots.



- 4** Place tablet on support legs, push down firmly on grip arm to hold tablet. Adjust the mount to desired position; release tablet by pushing the grip arm release. Loosen tightening ring to adjust rotation, position, or angle. Retighten to set.



**! Safety Precautions**  
Do not install Arkon products over an air bag cover or within the air bag deployment zone. Arkon Resources, Inc. assumes no responsibility of liability for injury or death as a result of car crashes and / or air bag deployment.

Arkon is not responsible for any damages caused to your car, your device, or yourself due to the installation or use of this pedestal mount.

**ARKON**  
RESOURCES INC. *The Mobile Mounting Specialists™*