



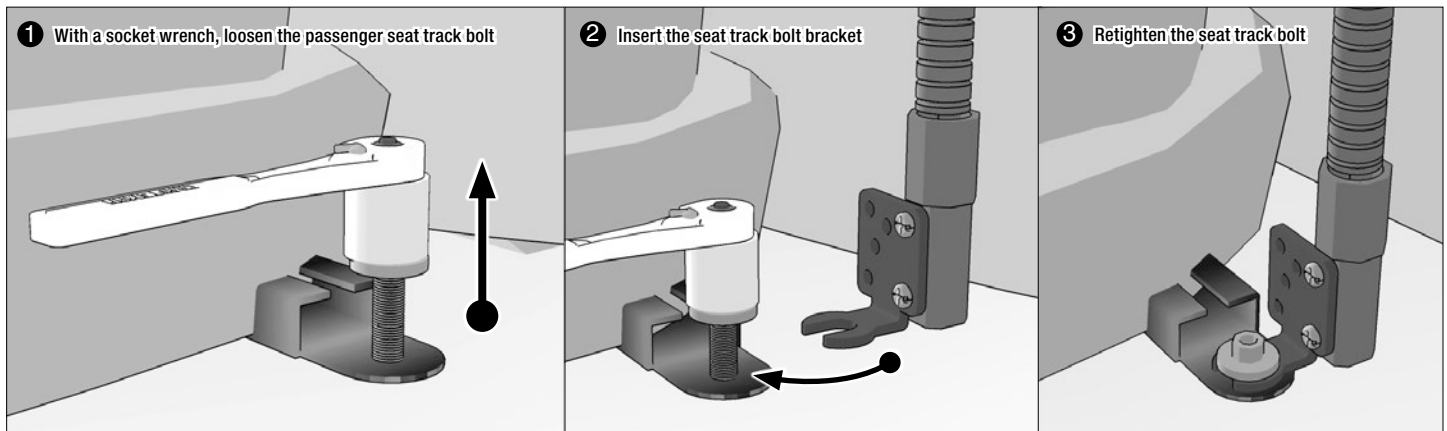
Package Contents:

- (1) TAB003 – Universal Push Button Release Tablet Holder
- (1) GN088-L22-SBH – 22" Flexible Aluminum Mounting Pedestal with SBH Head

Do not mount in or near an air bag deployment zone or where it will obstruct view of the road.

Passenger Seat Bolt Mounting

For a simple mount that can be easily moved to another vehicle, install using the passenger seat track bolt.



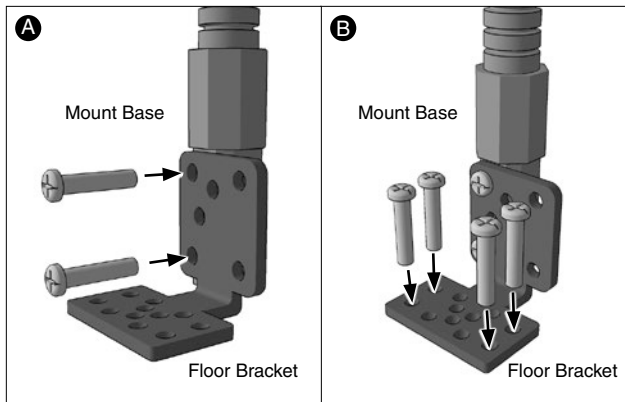
Alternative Floor or Console Mounting

For a more permanent mount, connect the floor/console mount bracket to the floor or console. This will require drilling into your vehicle's interior surface.

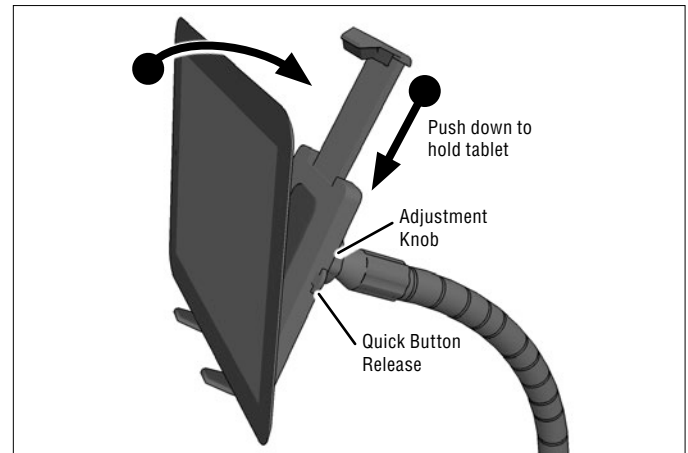
Drilling into the dash, floor, or console will permanently damage the vehicle. Use caution and consult a mobile install professional to avoid drilling into the gas tank, electrical system or other highly sensitive vehicle components.

Fig. A Screw the mount bracket to the mount. Depending on your vehicle, you may need to change the orientation of the bracket.

Fig. B Attach the floor / console bracket with screws.



Attach the tablet holder and insert tablet; remove tablet by pressing quick release button.



Optional: Attach included metal conduit to console to minimize vibration.

