



TAB005KL-B



SPTAB5KL



HD006AMPS

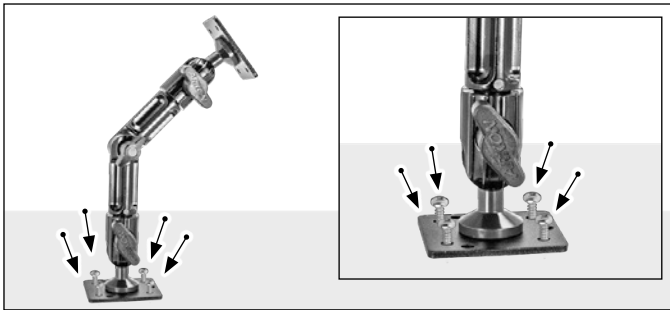
**Package Contents:**

- (1) TAB005KL-B – Universal Locking Tablet Holder with Key Lock and Key
- (1) SPTAB5KL – Hex Security Screw Pack (1-Hex Key, 4-Hex Screw)
- (1) HD006AMPS – 6" Heavy-Duty Aluminum Wall or Flat Surface Mount

**Device Compatibility:** Fits 7"-10" screen size tablets

**Tools Needed:** Phillips screwdriver, 7mm and 10mm socket wrenches

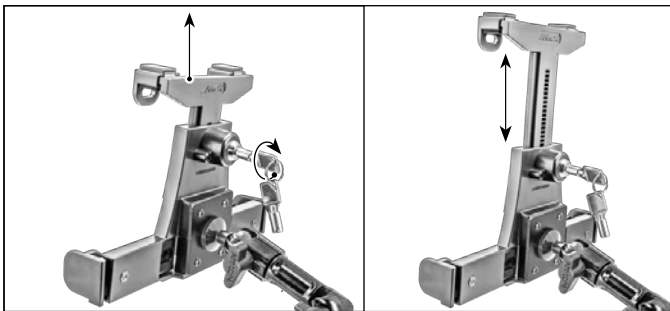
- 1** Screws of 2 lengths and anchors are included. Use appropriate screws to secure mount to mounting surface. Use anchors if necessary.



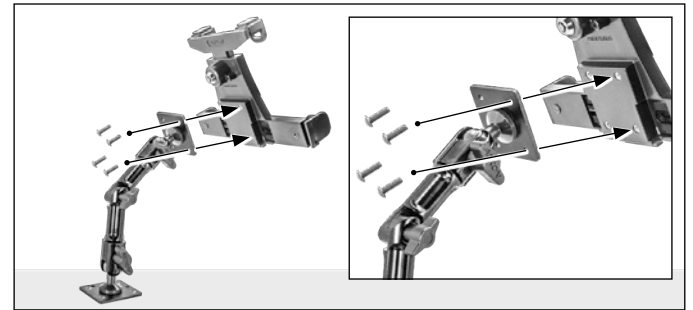
- 3** Adjust mount to desired position via the adjustment knobs.



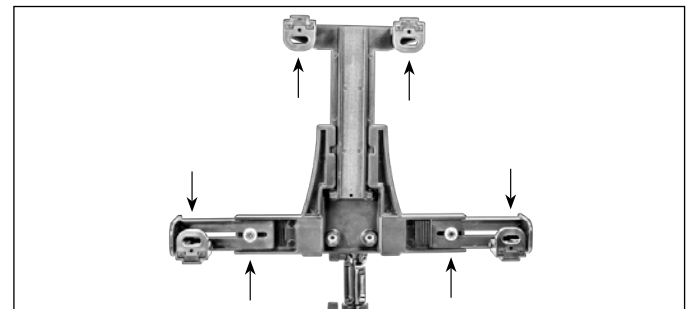
- 5** Insert key into back lock and turn right to unlock. Pull up on top adjusting arm to prepare for fitting the tablet.



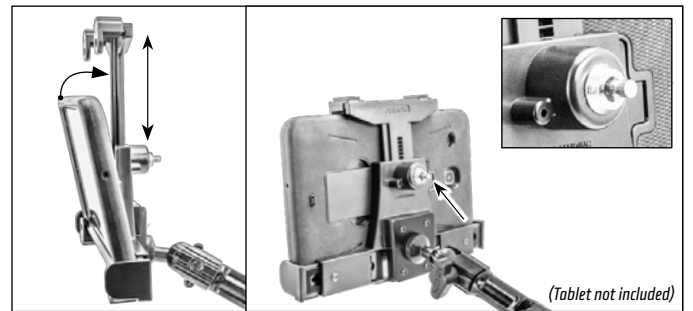
- 2** Attach the tablet holder to the mounting base (hex screws provided) using the 4-Hole AMPS mounting pattern.



- 4** Use Phillips screwdriver to adjust sides and width of holder to fit tablet. There are 6 screw adjustment points in total.



- 6** Insert tablet into holder. Adjust top of holder to fit tablet. Push button in on back lock to secure tablet.



(Tablet not included)



**Safety Precautions**

Arkon is not responsible for any damages caused to your device, your vehicle, your passengers, or yourself due to the installation or use of this mount.

**ARKON MOUNTS**