


Package Contents:

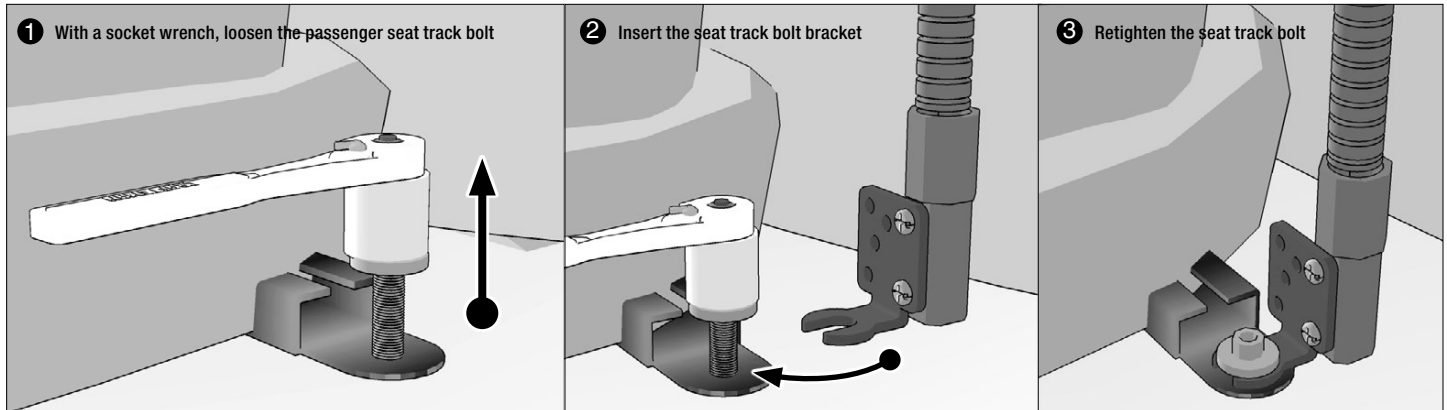
- (1) TAB001 – Slim-Grip® Universal Tablet Holder
- (1) GN088-L22-SBH – 22" Flexible Car Seat Rail or Floor Mount

The Slim-Grip Universal Tablet Holder fits all tablets with 8.9" - 18.4" screen size. It includes 4 short, 2 medium, and 4 long support legs. Select a combination of 4 support legs in conjunction for use with the spring-loaded holder to achieve the perfect fit for your tablet.

 Do not place mount in or near an air bag deployment zone or where it will obstruct view of the road.

Passenger Seat Bolt Mounting

For a simple mount that can be easily moved to another vehicle, install using the passenger seat track bolt.



Alternative Floor or Console Mounting

For permanent installation, connect the Floor/Console Mount Bracket to the floor or console. This will require drilling into your vehicle's interior surface.


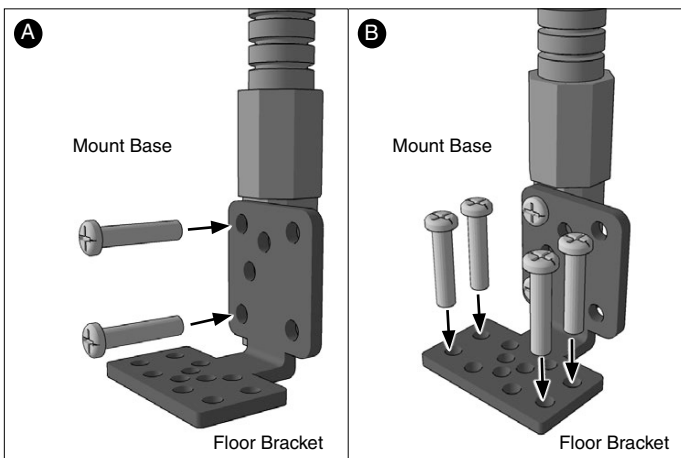
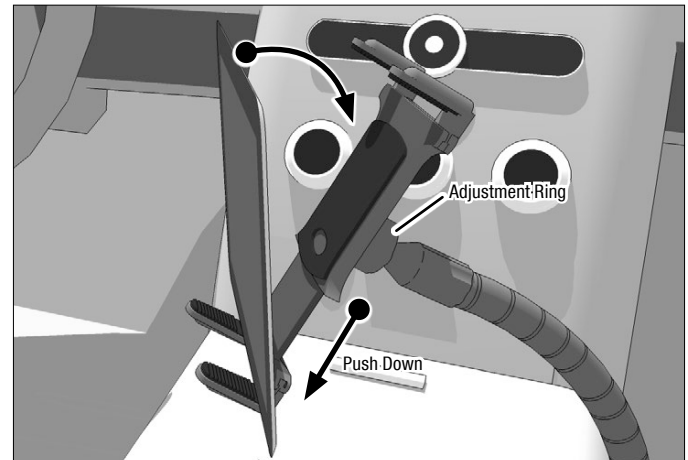
 Drilling into the dash, floor, or console will permanently damage the vehicle. Use caution and consult a mobile install professional to avoid drilling into the gas tank, electrical system or other highly sensitive vehicle components.

Fig. A Screw the mount bracket to the mount. Depending on your vehicle, you may need to change the orientation of the bracket.

Fig. B Attach the Floor / Console Bracket with screws.



Attach Holder and Mount Device



Optional: Attach included metal conduit to console to minimize vibration.

