



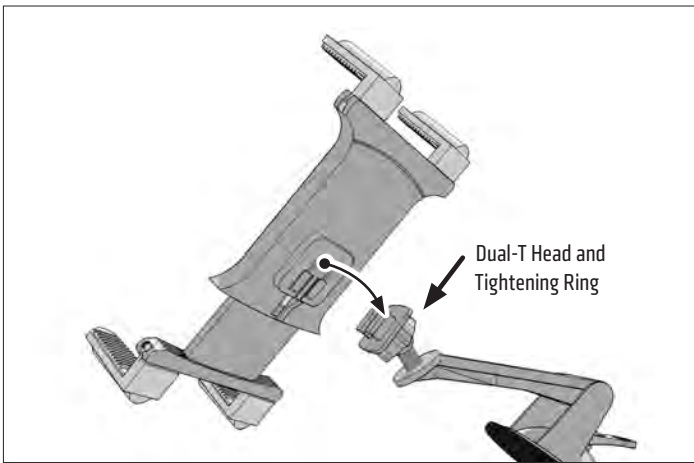
Package Contents:

- (1) GN079-SBH - Multi-Surface Removable Sticky Suction Mount
- (1) TAB001 - Universal Tablet Holder
- (1) AP013 - 80mm Adhesive Disk

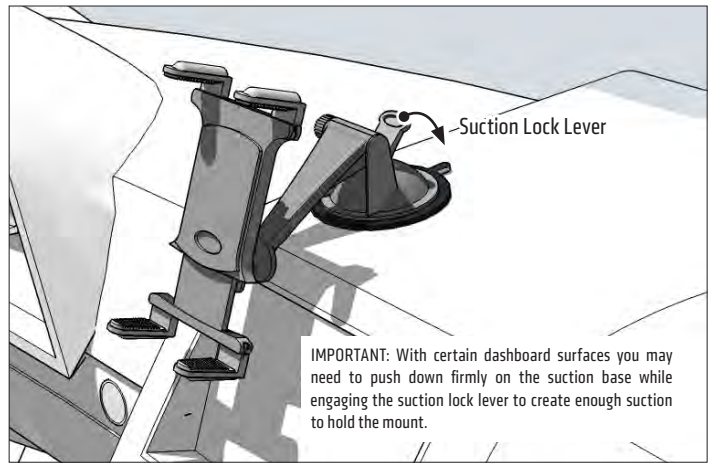
Universal Tablet Holder includes 8 support legs (4 long and 4 short) for maximum versatility. For most large tablets, the best configuration is 2 short legs on the top of the holder and 2 long legs on the bottom of the holder.

DASHBOARD MOUNTING WARNING: THE STICKY SUCTION PEDESTAL SHOULD NOT BE USED ON SOME TYPES OF DASHBOARDS. IT MAY LEAVE A PERMANENT INDENTATION ON DASHBOARD SURFACES MADE OF SOFT VINYL, LEATHER, OR SIMILAR MATERIALS. TO PREVENT PERMANENT INDENTATION MARKS, USE THE INCLUDED ADHESIVE MOUNTING DISK WHEN MOUNTING ON SOFT DASHBOARD SURFACES.

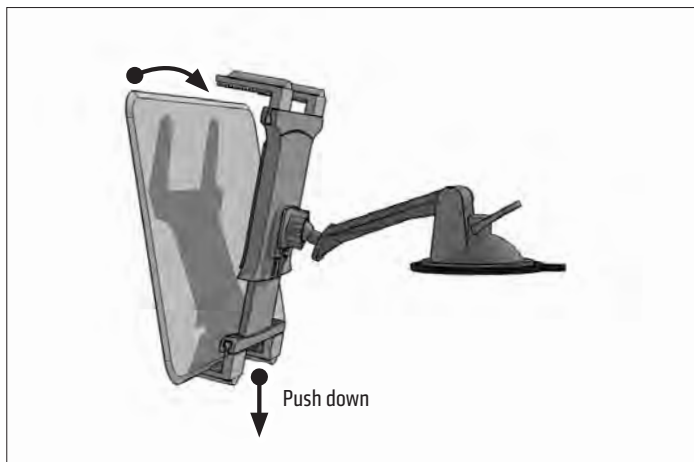
- 1** Attach the holder to the mount by inserting the Dual T-Tabs into the holder's Dual T-Slots and pushing down to lock.



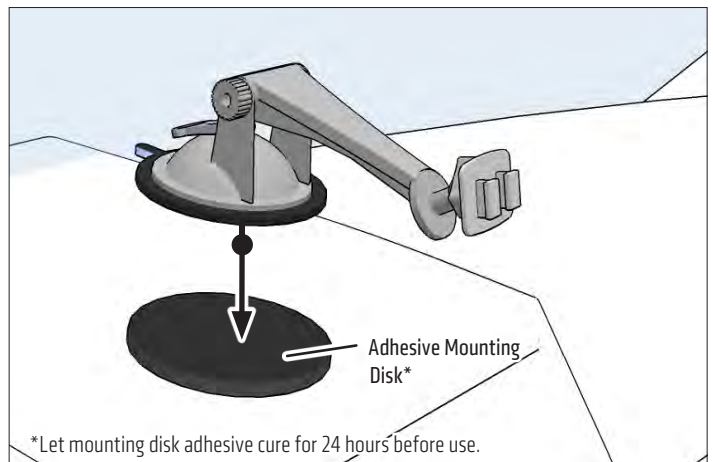
- 2** Clean the mount area with the included alcohol wipe to remove dust and dirt, and let dry. Remove the protective film from the base of the sticky mount. With the suction lever up, firmly place the sticky mount onto the mount area and flip the lever down to secure the mount.



- 3** Insert tablet into holder by pushing down on the bottom spring-loaded support legs with the tablet. Slide the top of the tablet under the top support legs until it fits snugly in the holder.



OPTIONAL: For use on soft vinyl or leather dashboards, use included adhesive mounting disk*.



Safety Precautions

Do not install Arkon products over an airbag cover or within the airbag deployment zone. Arkon Resources, Inc. assumes no responsibility of liability for injury or death as a result of car crashes and / or airbag deployment.

Arkon is not responsible for any damages caused to your vehicle, your device, or yourself due to the installation or use of this mount.



The Mobile Mounting Specialists™