



TAB005KL-B

Package Contents:

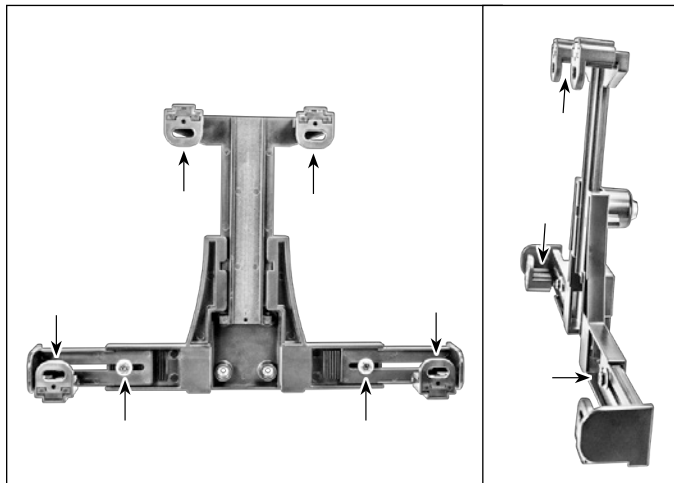
- (1) TAB005KL-B – Universal Locking Tablet Holder with Key Lock and Key
- (1) SPTAB5KL – Hex Security Screw Pack (1-Hex Key, 4-Hex Screw)

Device Compatibility: Fits 7"-10" screen size tablets

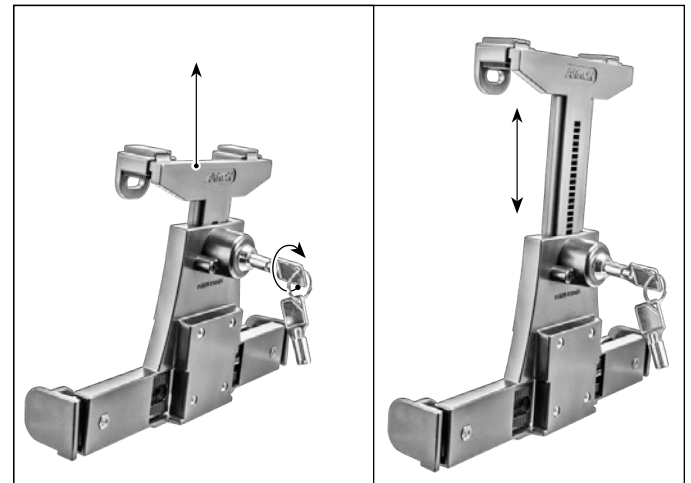
Mounting pedestals sold separately.

Tools Needed: Phillips screwdriver

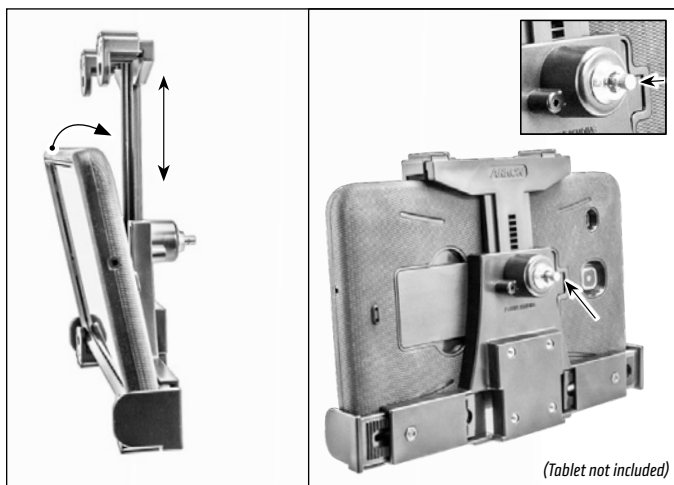
- 1** Use Phillips screwdriver to adjust sides and width of holder to fit tablet. There are 6 screw adjustment points in total.



- 2** Insert key into back lock and turn right to unlock. Pull up on top adjusting arm to prepare for fitting the tablet.



- 3** Insert tablet into holder. Adjust top of holder to fit tablet. Push button in on back lock to secure tablet.



ARKON® MOUNTS