

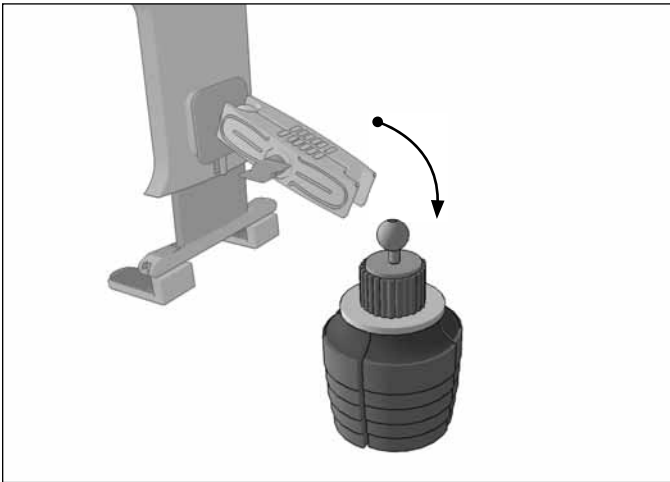


SPRM023

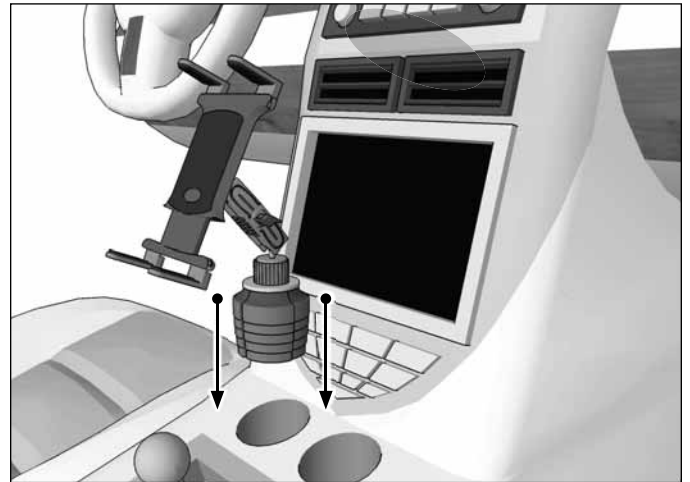
Package Contents:

(1) SPRM023 – Heavy-Duty Car Cup Holder Mounting Pedestal

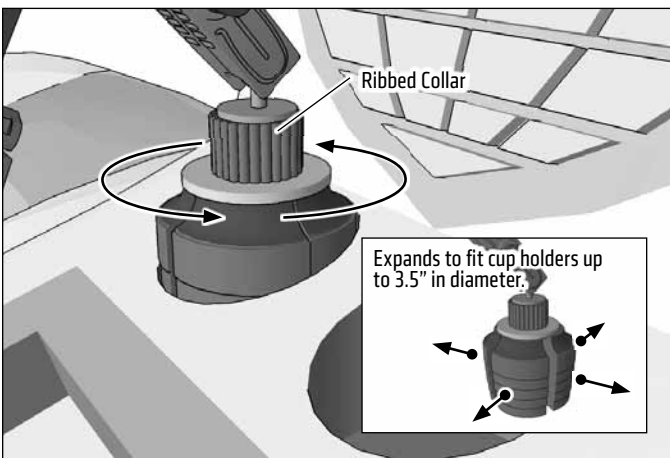
1 Attach 25mm compatible holder or adapter (not included)



2 Insert mounting pedestal into car cup holder.



3 Twist ribbed collar counterclockwise to expand base to fit cup holder. Expands to fit cup holders up to 3.5 inches in diameter.



Safety Precautions

Do not install Arkon products over an air bag cover or within the air bag deployment zone. Arkon Resources, Inc. assumes no responsibility of liability for injury or death as a result of car crashes and / or air bag deployment.

Arkon is not responsible for any damages caused to your vehicle, your device, or yourself due to the installation or use of this mounting pedestal.

ARKON
RESOURCES INC.

The Mobile Mounting Specialists™