



Package Contents:

HD006 – Multi-Angle Aluminum Mounting Pedestal with 8" Adjustable Arm and 4-Hole AMPS Drill Base

SM060-2 – Slim-Grip® Ultra™ Smartphone and Midsize Tablet Holder

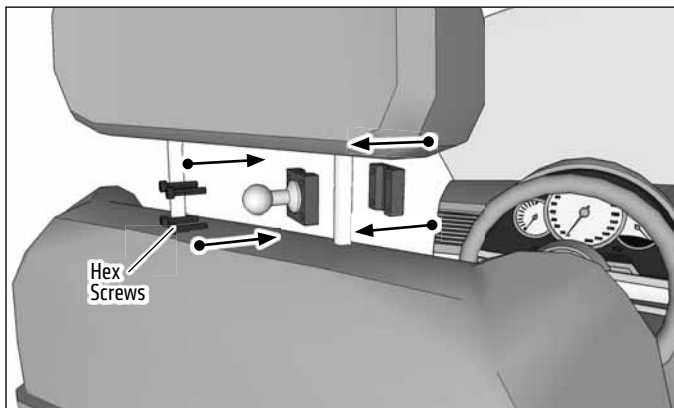
HM004-B – Headrest Clamp with 20mm Ball

Clamp fits .31"-.63" (8mm-16mm) diameter posts.

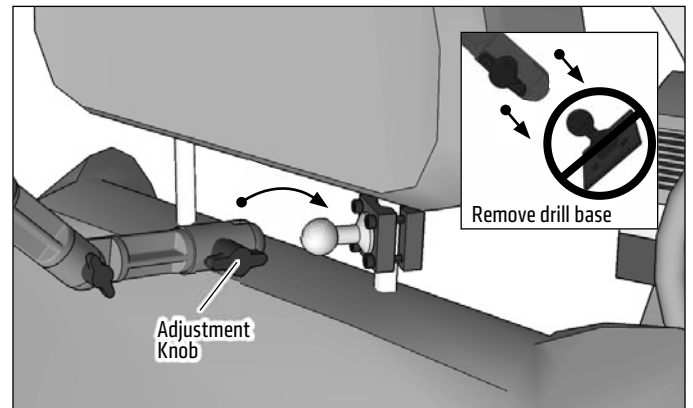
NOTE: Select the appropriate short or long support legs and install to holder. For large sized smartphones such as the Galaxy Note and midsize tablets, select 4 long support legs.

IMPORTANT: Clamp may not fit all headrest types. Please consult your vehicle's user manual for compatibility.

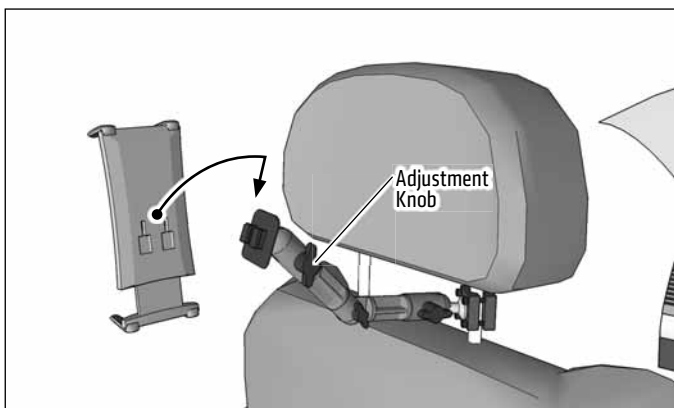
- 1 Place clamp on headrest and use the included hex key to securely tighten the 4 hex screws to securely mount clamp onto post.



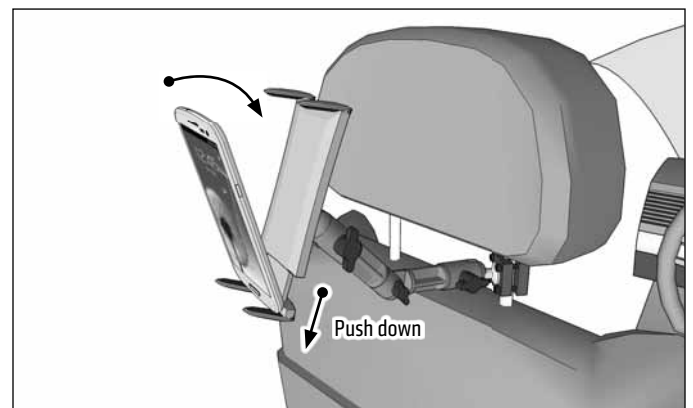
- 2 Loosen the adjustment knob on the pedestal, remove the drill base, and position the pedestal over the mount's ball. Retighten knob and set pedestal to desired angle.



- 3 Attach the holder to the mount by inserting the Dual T-Tabs into the holder's Dual T-Slots and pushing down to lock. Loosen adjustment knob to set desired position of holder and retighten.



- 4 Insert device into holder by pushing down on the bottom spring-loaded support legs with the device. Slide the top of the device under the top support legs until it fits snugly in the holder.



Safety Precaution

Arkon Resources, Inc. is not responsible for any damages caused to your vehicle or yourself due to the installation of this product.



The Mobile Mounting Specialists™