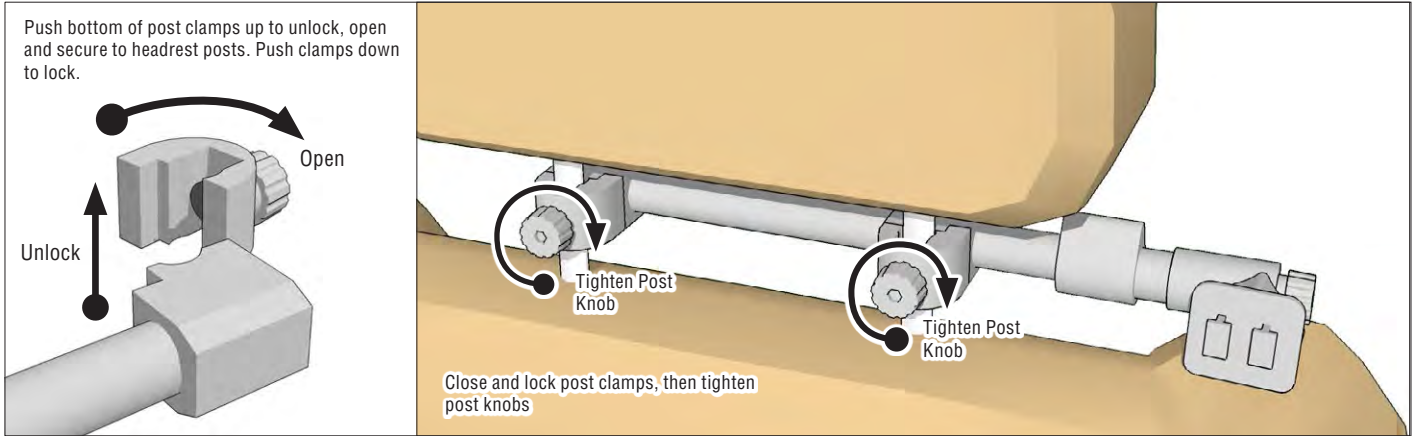


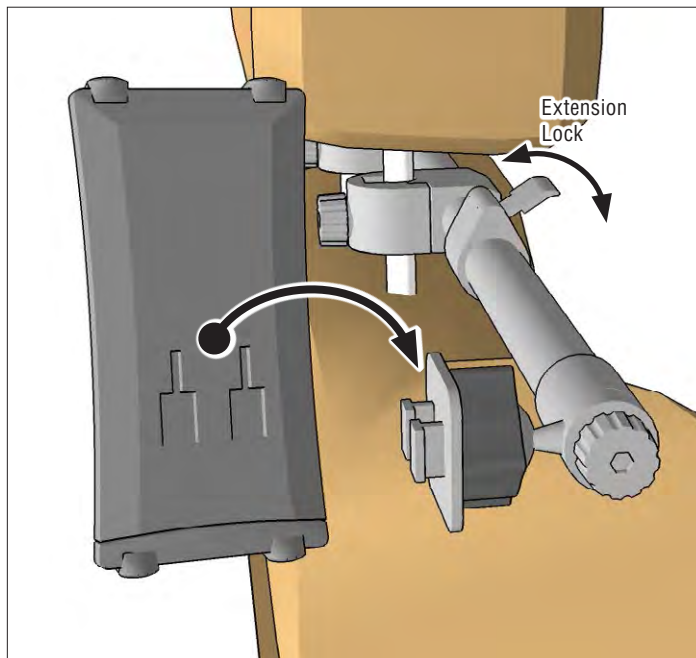
Package Contents:



1 Attach mount to the headrest.



2 Attach holder to headrest mount.



3 To mount a device, push down on legs and place in holder.

