

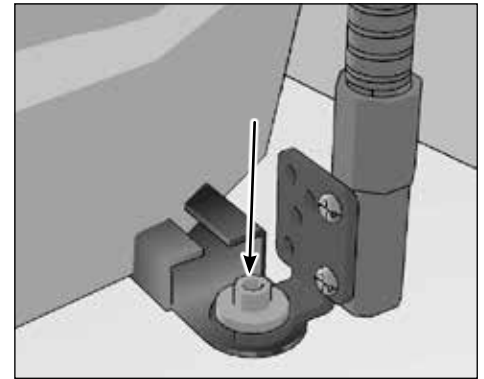
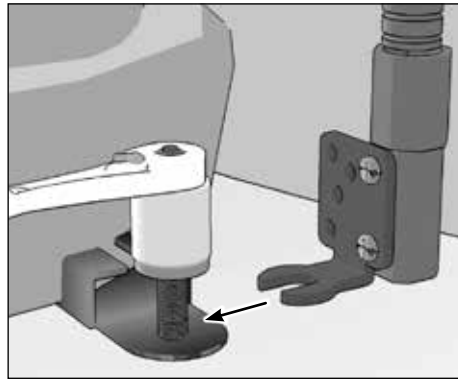
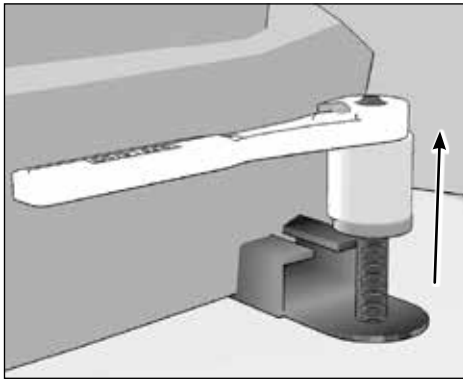
Package Contents:

- (1) RM08825MM – 18" 25mm Seat Rail or Floor Pedestal
- (1) SP-RM250 – Robust Mount Shaft
- (1) APRM2T – 25mm Ball to Dual T-Tab Adapter
- (1) SM060-2 – Slim-Grip® Ultra™ Universal Smartphone & Tablet Holder

Warning: Drilling into the dash, floor, or console may damage the vehicle. Use caution and consult a mobile install professional to avoid drilling into the gas tank, electrical system, or other highly sensitive vehicle components.

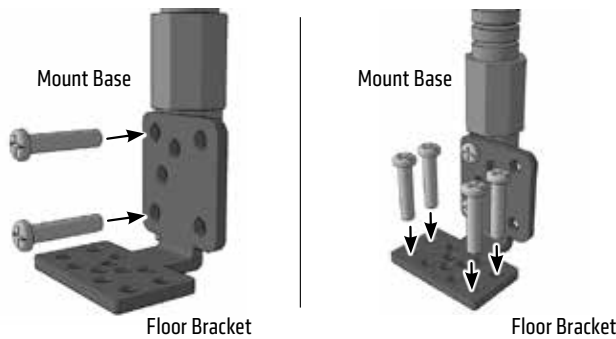
Passenger Seat Bolt Mounting - Option 1:

- 1 Use a socket wrench to loosen the passenger seat track bolt.
- 2 Insert the seat track bolt bracket.
- 3 Retighten the seat track bolt.

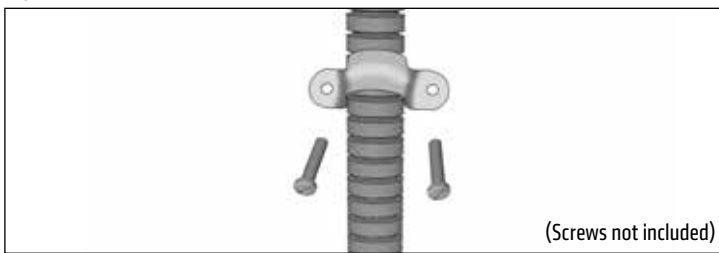


Floor Mounting - Option 2

Screw the floor bracket to the mount. (Depending on your vehicle, you may need to change the orientation of the bracket.) Attach the floor / console bracket with screws.

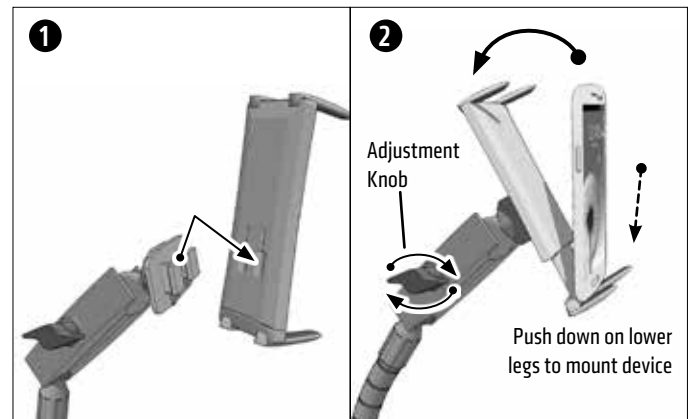


Optional: Attach included metal conduit to console to minimize vibration.



Using the Slim-Grip Ultra Universal Smartphone & Tablet Holder

Attach the holder to the pedestal head by inserting the Dual T-Tabs into the Dual T-Slots on the back of the holder. Choose the 4 support legs that provide the best fit for your device, and insert them at the top and bottom of the holder. Insert phone or midsize tablet (not included) by placing it on the 2 lower legs and pushing down on the spring-loaded holder. Loosen adjustment knob to change position if needed.



! Safety Precautions

Do not install Arkon products over an air bag cover or within the air bag deployment zone. Arkon Resources, Inc. assumes no responsibility of liability for injury or death as a result of car crashes and/or air bag deployment.

Arkon Resources, Inc. is not responsible for any damages caused to your vehicle, device or yourself due to the installation or use of this mount.

ARKON MOUNTS