



**SM688 - IPM688**  
Slim-Grip® Ultra™  
18" Flexible Car  
Floor Mount

**Package Contents:**

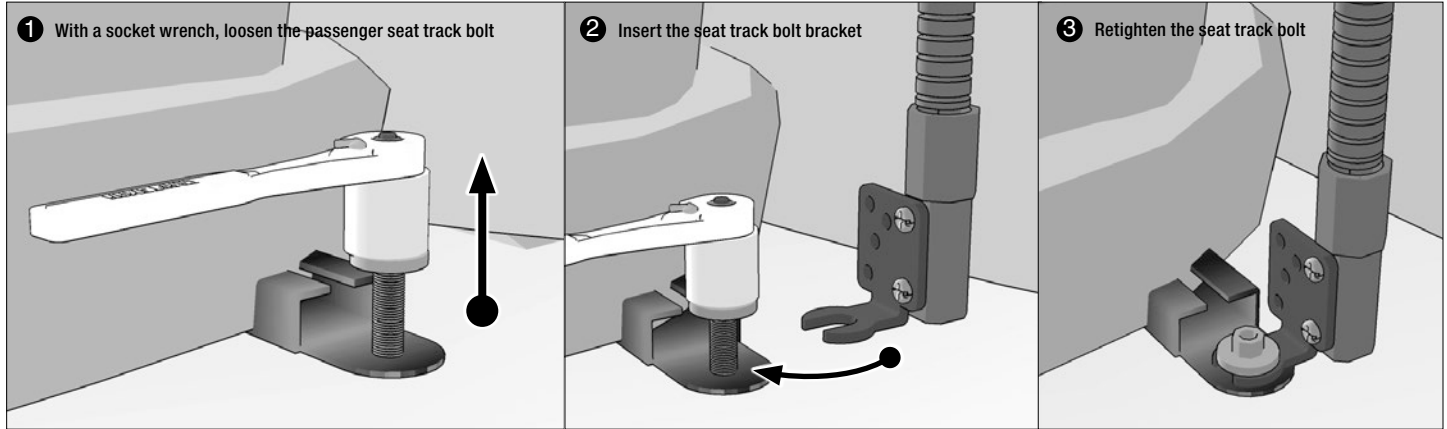
SM060-2 - Slim-Grip® Ultra™ Holder  
GN088-SBH - 18" Flexible Car Seat Rail or Floor Mount

**IMPORTANT:** Select the appropriate short or long support legs and install to holder. For large sized smartphones and midsize tablets, select 4 long support legs.

- ⚠ Do not place mount in or near an air bag deployment zone or where it will obstruct view of the road.
- ⚠ Drilling into the dash, floor, or console will permanently damage the vehicle. Use caution and consult a mobile install professional to avoid drilling into the gas tank, electrical system or other highly sensitive vehicle components.

**Passenger Seat Bolt Mounting**

For a simple mount that can be easily moved to another vehicle, install using the passenger seat track bolt.



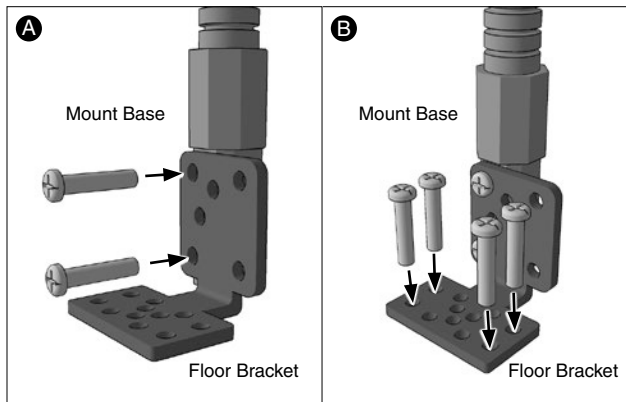
**Alternative Floor or Console Mounting**

For a more permanent mount, connect the floor / console mount bracket to the floor or console. This will require drilling into your vehicle's interior surface.

⚠ Drilling into the dash, floor, or console will permanently damage the vehicle. Use caution and consult a mobile install professional to avoid drilling into the gas tank, electrical system or other highly sensitive vehicle components.

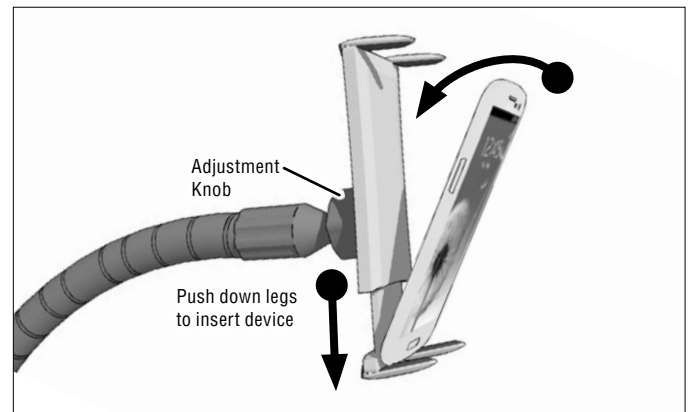
Fig. A Screw the mount bracket to the mount. Depending on your vehicle, you may need to change the orientation of the bracket.

Fig. B Attach the floor / console bracket with screws.



**Mount a Device**

Attach the holder to mount and insert device; use included long legs if necessary.



**Optional:** Attach included metal conduit to console to minimize vibration.

