



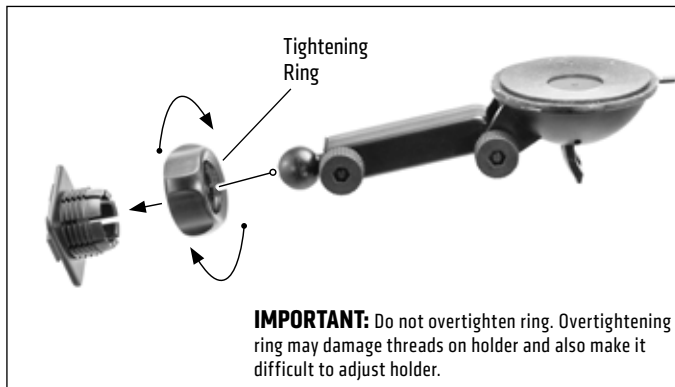
Package Contents:

- (1) **SM060-2** – Slim-Grip® Ultra™ Universal Midsize Tablet and Smartphone Holder
- (1) **GN07622-B** – Windshield Suction Extension Mount
- (1) **SP-SBH-KIT-22** – 22mm Ball to Dual T-Tab Head Adapter with Tightening Ring

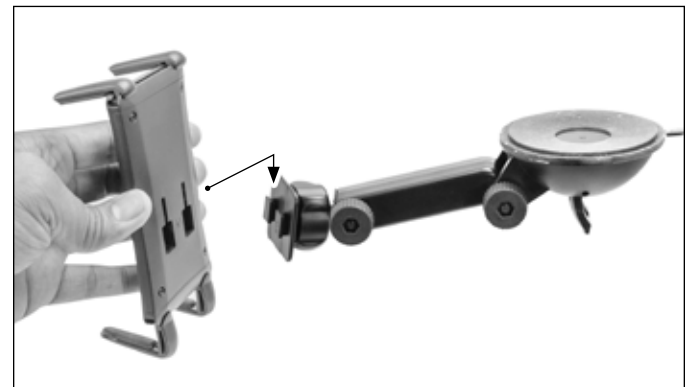
Compatibility: Slim-Grip® Ultra™ Universal Smartphone and Midsize Tablet Holder is compatible with devices up to 8” screen size. Eight support legs (4 short and 4 longer versions) are included that can be customized for optimum fit of your device.

Arkon strongly recommends positioning the windshield mount so that the device rests on the vehicle’s dashboard to support its weight.

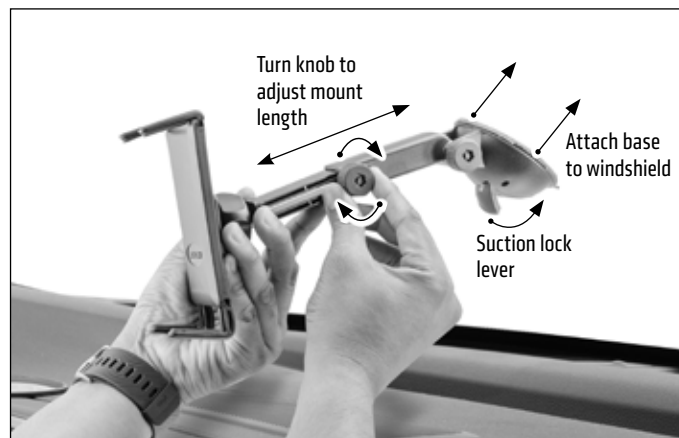
- 1** Attach adapter to mount pedestal by placing adjustment ring over the mount’s 22mm ball, snapping the adapter onto the ball and then tightening the ring.



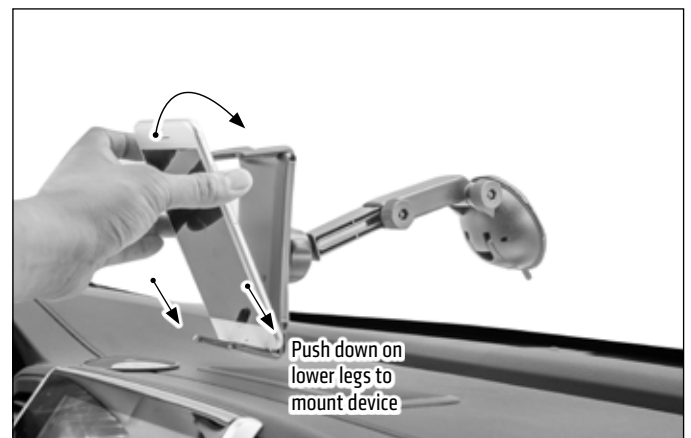
- 2** Attach phone holder to pedestal by inserting Dual T-Tabs of pedestal into Dual T-Slots of holder, pushing down to lock.



- 3** Clean the mount area and let dry completely. Remove protective film from the base and firmly place mount onto the mount area and flip lever down to secure. Turn knob to adjust mount length.



- 4** Insert smartphone or midsize tablet by placing it on the 2 lower legs and pushing down on the spring-loaded holder.



! Safety Precaution

Do not install Arkon products over an air bag cover or within the air bag deployment zone. Arkon Resources, Inc. assumes no responsibility of liability for injury or death as a result of car crashes and / or air bag deployment. Arkon is not responsible for any damages caused to your car, your device, your passengers, or yourself due to the installation or use of this mount.

ARKON® MOUNTS