



**Package Contents:**

SM060-2 - Slim-Grip® Ultra™ Holder  
CM117-SBH - Extending Windshield Suction Mount  
Alcohol Pad

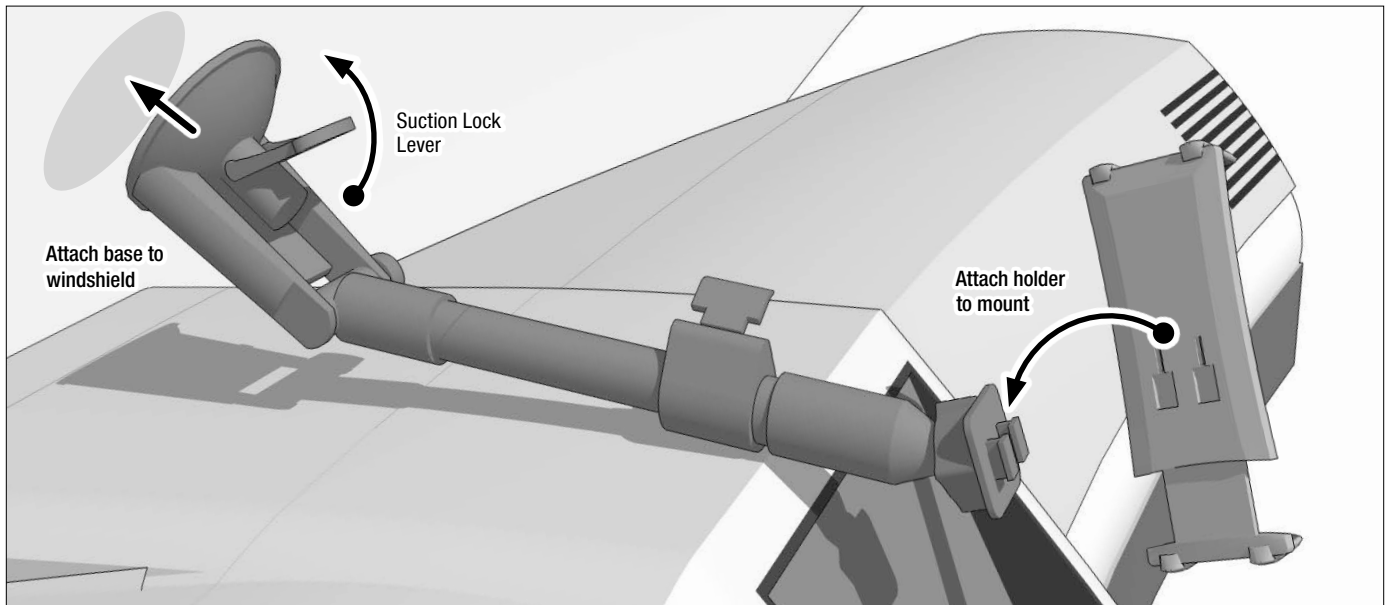
**IMPORTANT:** Select the appropriate short or long support legs and install to holder. For large sized smartphones and midsize tablets, select 4 long support legs.



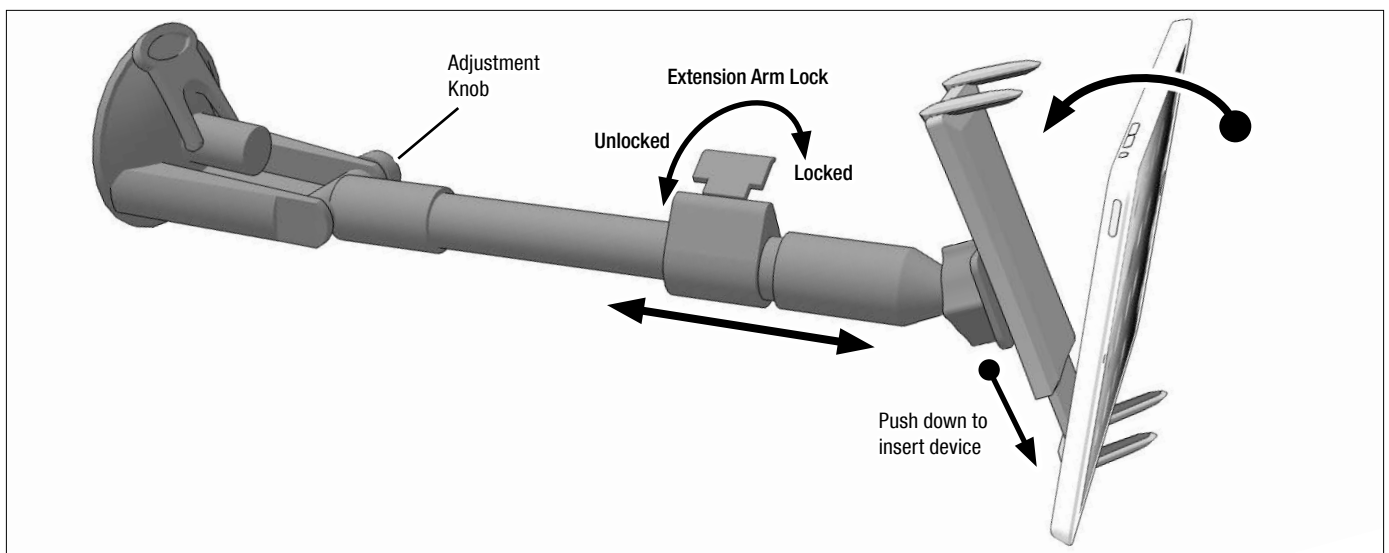
Do not use excessive force to position the mount once it is attached to the windshield, as damage to the windshield may occur. Arkon Resources Inc. is not responsible for any damage to your vehicle, mount, or device when using this product.

Arkon strongly recommends positioning the windshield mount so that it rests on the vehicle's dashboard to supporting the weight of tablet. Failure to do so may result in damage to the mount, your vehicle, and / or your device. Arkon Resources Inc. is not responsible for any damage to your vehicle, mount, or device when using this product.

- 1 For best results, clean the windshield mounting surface area thoroughly with the included alcohol pad. Allow the area to dry completely. Mount to windshield and attach holder by inserting mount's Dual T-Tabs into holder's Dual T-Slots.



- 2 Adjust length of mount as necessary by unlocking extension arm. Lock arm when desired length reached. Insert device by pushing down on lower legs of spring-loaded holder.



**Safety Precautions**

Arkon is not responsible for any damages caused to your vehicle, your device, or yourself due to the installation or use of this mount.

Do not install Arkon products over an air bag cover or within the air bag deployment zone. Arkon Resources, Inc. assumes no responsibility of liability for injury or death as a result of car crashes and / or air bag deployment.