

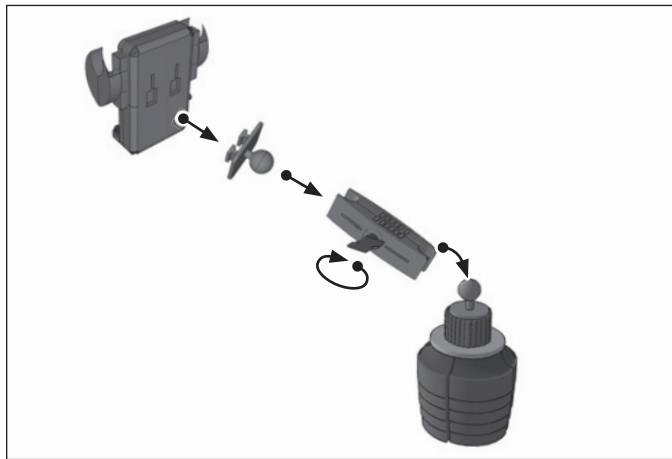


**Package Contents:**

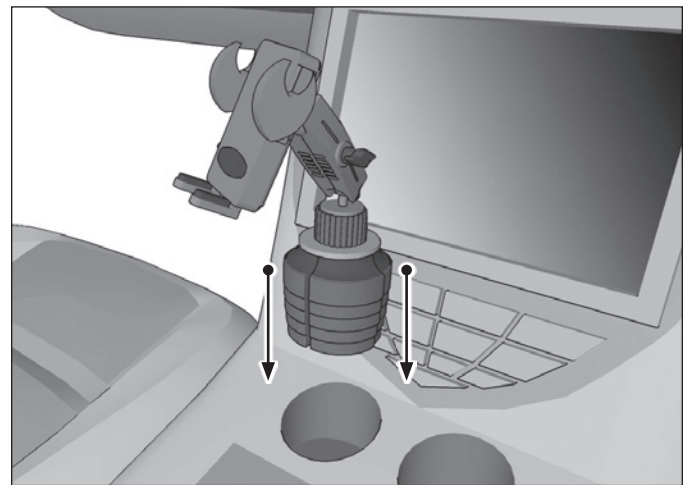
- (1) SM040-2 – Mega Grip Universal Phone Holder
- (1) SPRM023 – Robust Cup Holder Pedestal
- (1) SP-RM250 – Robust Mount Shaft
- (1) APRM2T – 25mm Ball to Dual T-Tab Adapter

**COMPATIBILITY:** Fits phones with cases up to 3.5" wide

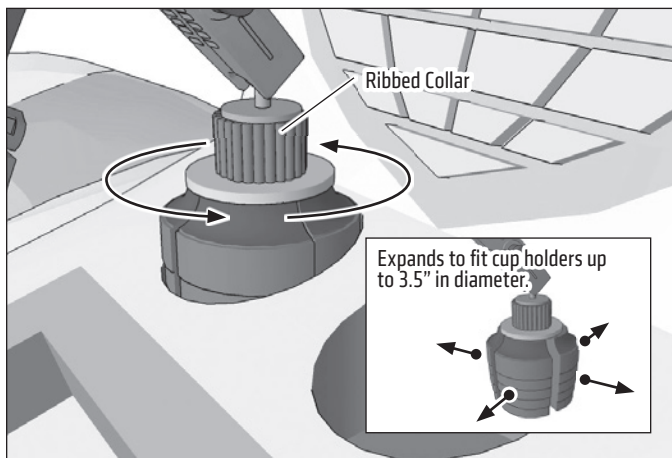
- 1 Attach Robust shaft to cup holder pedestal. Attach APRM2T to Robust shaft and turn knob to tighten. Attach SM040-2 to APRM2T.



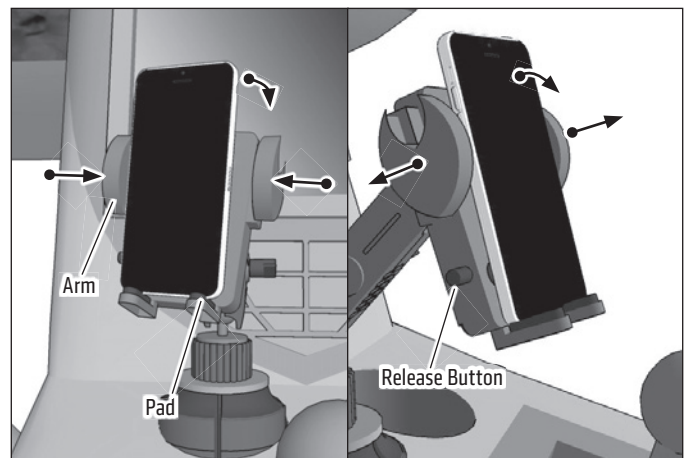
- 2 Insert mount into car cup holder.



- 3 Twist ribbed collar counterclockwise to expand base to fit cup holder. Expands to fit cup holders up to 3.5 inches in diameter.



- 4 Place the device on the two pads. Press the two arms inward to secure the device. To release the device push the release button on the bottom.



**! Safety Precautions**  
 Do not install Arkon products over an air bag cover or within the air bag deployment zone. Arkon Resources, Inc. assumes no responsibility for liability for injury or death as a result of car crashes and/or air bag deployment. Arkon is not responsible for any damages caused to your vehicle, your device, or yourself due to the installation or use of this mount.

**ARKON MOUNTS**