



SM040-2



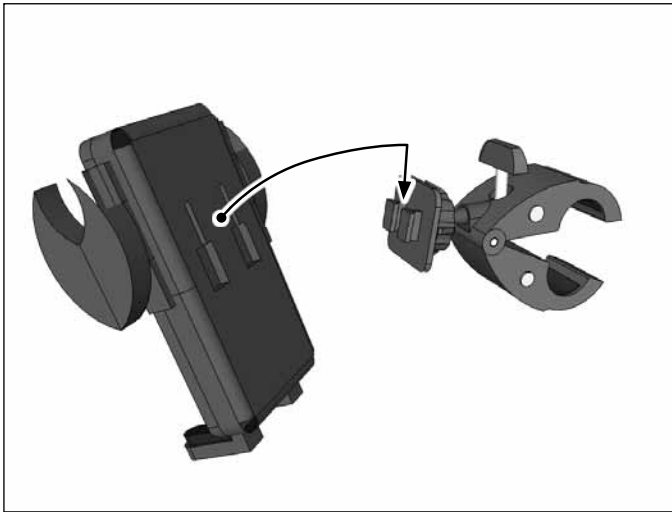
GN031-SBH-B

Package Contents:

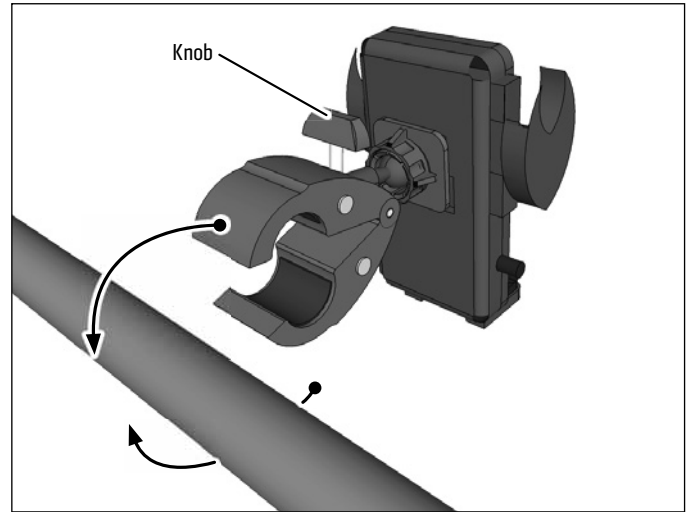
- (1) SM040-2 – Mega Grip Universal Smartphone Holder
- (1) GN031-SBH-B – Clamp Post Mount with Dual-T Head

Compatibility: Fits smartphones measuring up to 3.25" wide.

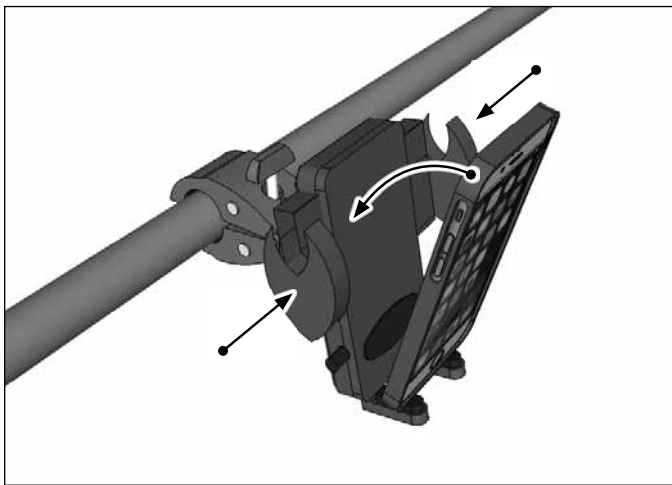
- 1** Attach holder by inserting the mount's Dual T-Tabs into the holder's Dual T-Slots.



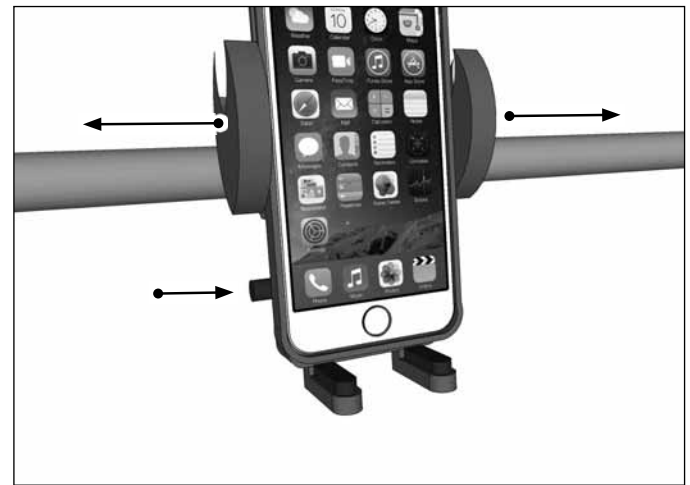
- 2** Unscrew mount's knob to loosen grip. Place the mount around pole as desired, then retighten knob to secure.



- 3** Place the phone into the holder with the device sitting on support legs. Clamp the grip arms inward to secure the device in the holder.



- 4** Press release button to open mount arms.



Safety Precautions

Arkon is not responsible for any damages caused to your device or yourself due to the installation or use of this mount.

ARKON
RESOURCES INC.

The Mobile Mounting Specialists™