

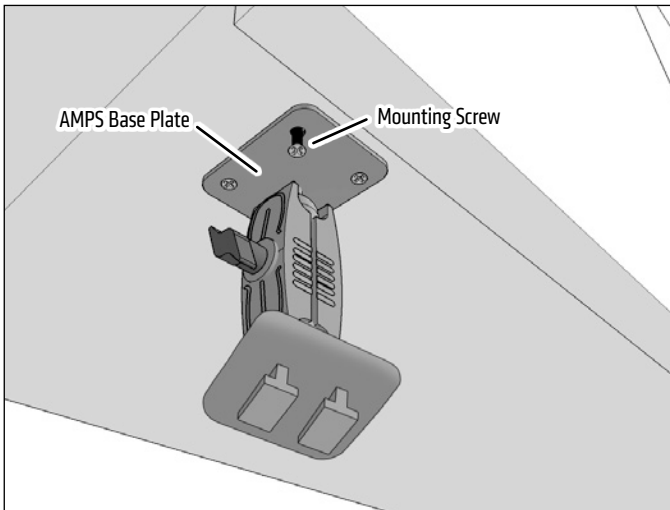


RMSAMPS2T

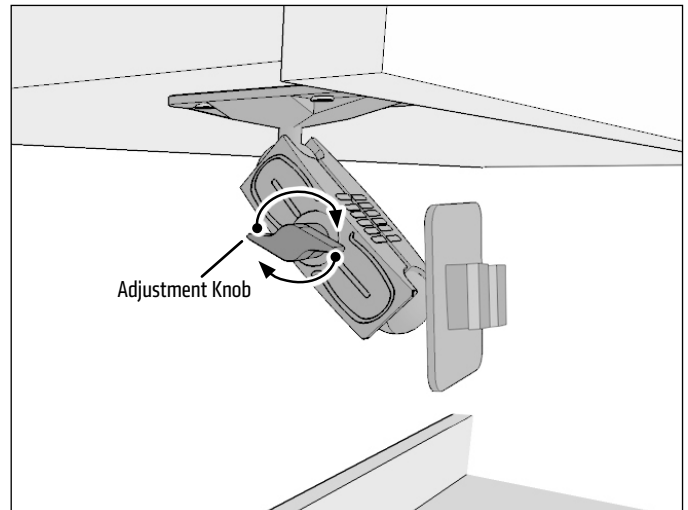
Package Contents:

RMSAMPS2T – Heavy-Duty 4-Hole AMPS to Dual-T Mounting Pedestal

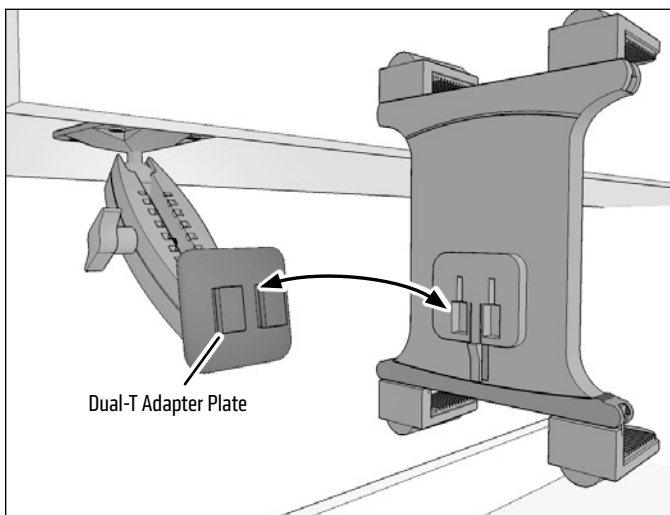
- 1 Attach the pedestal to the mounting surface through the AMPS base plate. Choose the screws (not included) that will work best on the chosen mounting surface.



- 2 Loosen adjustment knob to adjust angle of pedestal and position of Dual-T adapter plate. Retighten to secure.



- 3 Attach any Dual-T compatible device or holder (not included, sold separately) to the Dual-T adapter plate by inserting the Dual T-Tabs of the adapter into the Dual T-Slots of the device/holder.



! Safety Precautions

Do not install Arkon products over an air bag cover or within the air bag deployment zone. Arkon Resources, Inc. assumes no responsibility of liability for injury or death as a result of car crashes and / or air bag deployment.

Arkon is not responsible for any damages caused to your vehicle, your device, or yourself due to the installation or use of this mount.



The Mobile Mounting Specialists™