

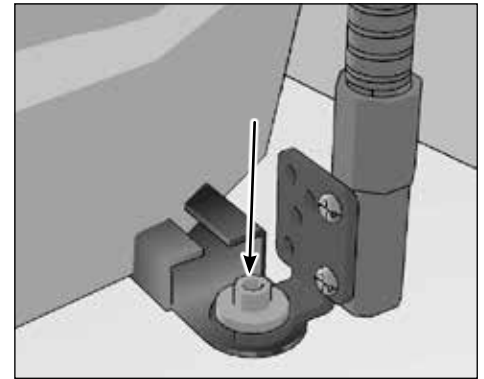
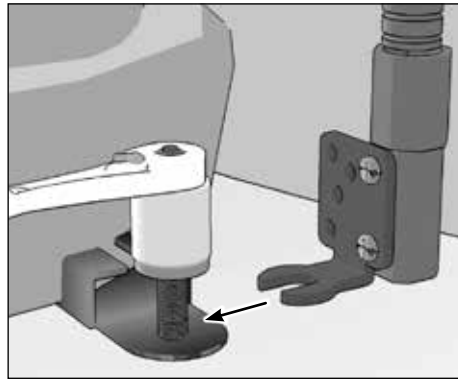
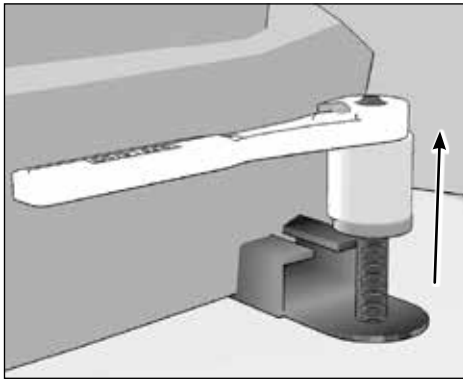
**Package Contents:**

- (1) RM08825MM – 18" 25mm Seat Rail or Floor Pedestal
- (1) SP-RM250 – Robust Mount Shaft
- (1) APRM2T – 25mm Ball to Dual T-Tab Adapter

**Warning:** Drilling into the dash, floor, or console may damage the vehicle. Use caution and consult a mobile install professional to avoid drilling into the gas tank, electrical system, or other highly sensitive vehicle components.

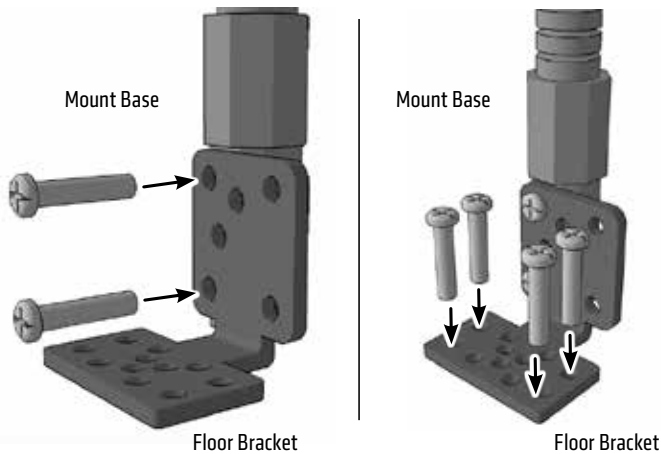
**Passenger Seat Bolt Mounting - Option 1:**

- 1 Use a socket wrench to loosen the passenger seat track bolt.
- 2 Insert the seat track bolt bracket.
- 3 Retighten the seat track bolt.

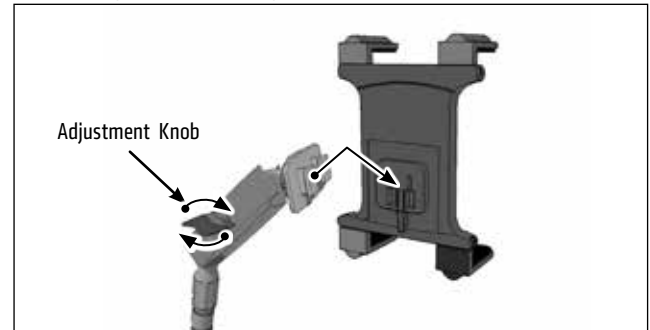


**Floor Mounting - Option 2**

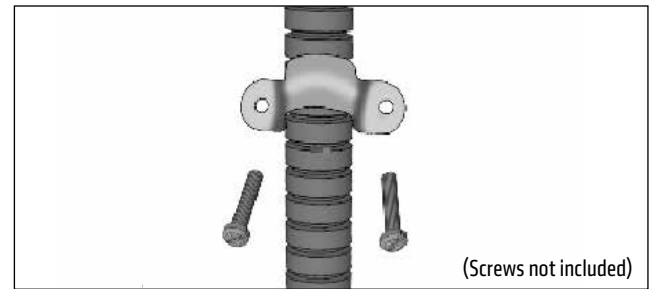
Screw the floor bracket to the mount. (Depending on your vehicle, you may need to change the orientation of the bracket.) Attach the floor / console bracket with screws.



Attach any Dual-T compatible device, holder, or adapter (not included, sold separately). Loosen adjustment knob to set device at desired angle and then retighten.



**Optional:** Attach included metal conduit to console to minimize vibration.



(Screws not included)

**! Safety Precautions**

Do not install Arkon products over an air bag cover or within the air bag deployment zone. Arkon Resources, Inc. assumes no responsibility of liability for injury or death as a result of car crashes and/or air bag deployment.

Arkon Resources, Inc. is not responsible for any damages caused to your vehicle, device or yourself due to the installation or use of this mount.

**ARKON MOUNTS**