



HD006

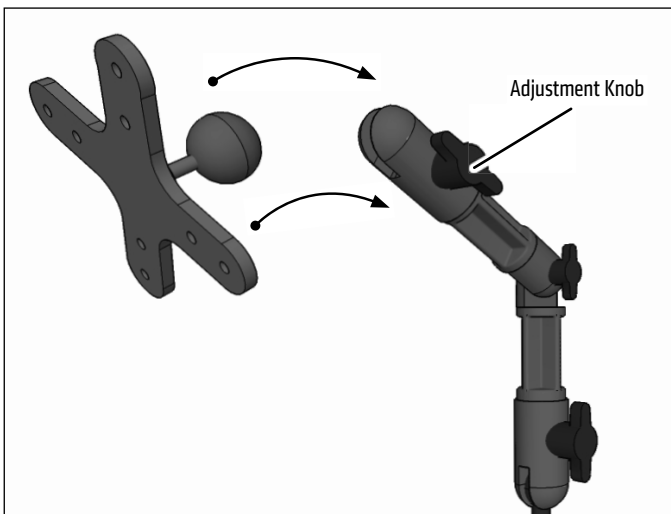


AP20MMVESA

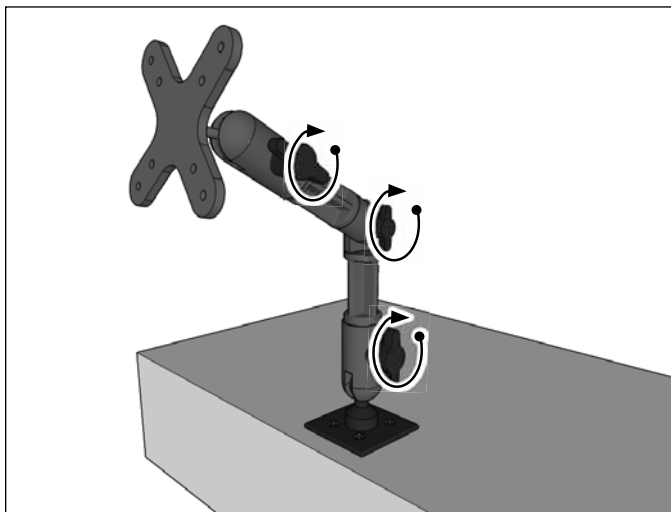
**Package Contents:**

- (1) HD006 – 8" Heavy-Duty Multi-Angle Drill-Base Pedestal
- (1) AP20MMVESA – 20mm Ball to VESA 75/VESA 100 Adapter

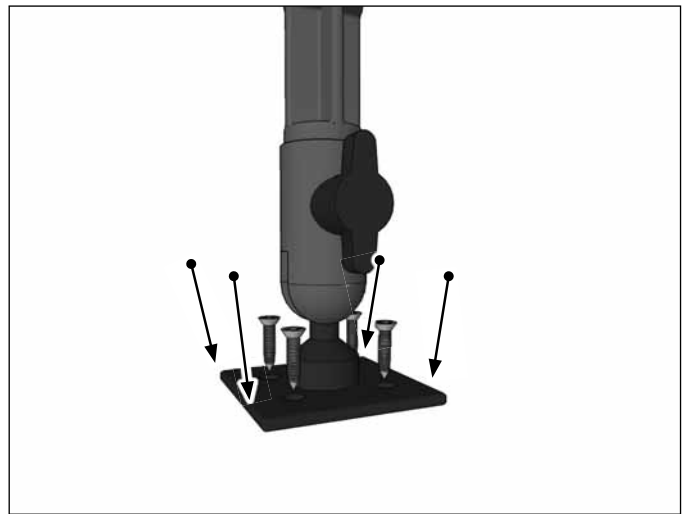
- 1** Loosen knob and remove Dual-T adapter from pedestal and replace with AP20MMVESA adapter as shown. Tighten to secure.



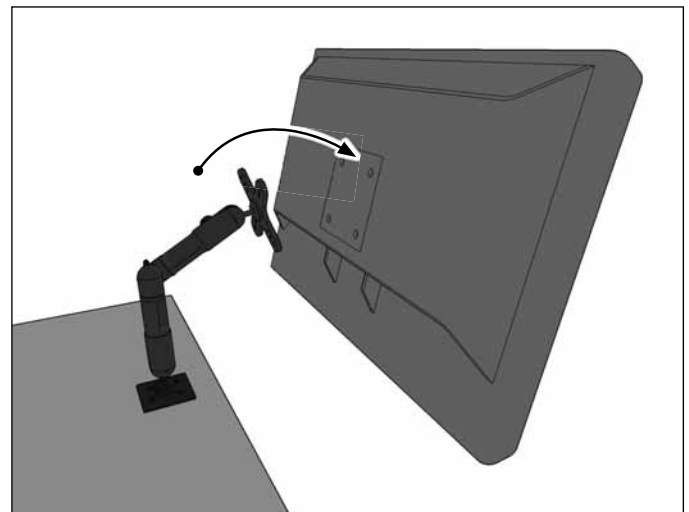
- 3** Loosen adjustment knob to adjust angle of pedestal and position of VESA plate. Tighten to secure.



- 2** Attach the pedestal to the mounting surface through the AMPS base plate. Choose the screws that will work best on the chosen mounting surface. Use anchors if necessary.



- 4** Attach any VESA 75/VESA 100 compatible device or holder (not included, sold separately) to the VESA plate.



**Safety Precautions**

Do not install Arkon products over an air bag cover or within the air bag deployment zone. Arkon Resources, Inc. assumes no responsibility of liability for injury or death as a result of car crashes and / or air bag deployment.

Arkon is not responsible for any damages caused to your vehicle, your device, or yourself due to the installation or use of this mount.

**ARKON**  
RESOURCES INC.

*The Mobile Mounting Specialists™*