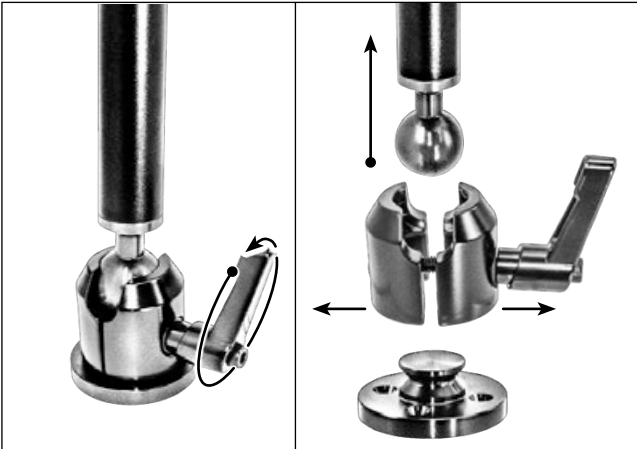
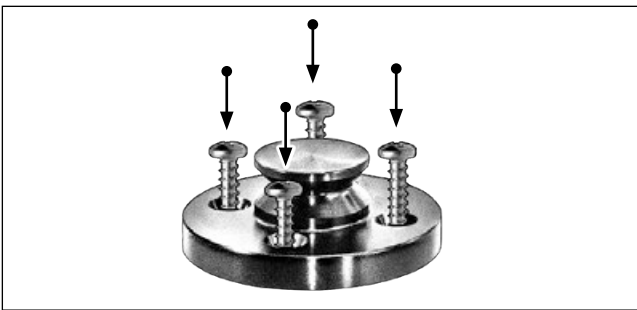


- 1** Unscrew knob at the base of the mount to separate the drill base from the rest of the mount.



- 2** Tighten 4 screws through the pre-drilled holes of the base into the mounting surface (screws included).

Tip: You may need to drill pilot holes and/or insert the included screw anchors first, depending on the mounting surface.



- 3** Replace the mount over the base. Tighten knob to secure.

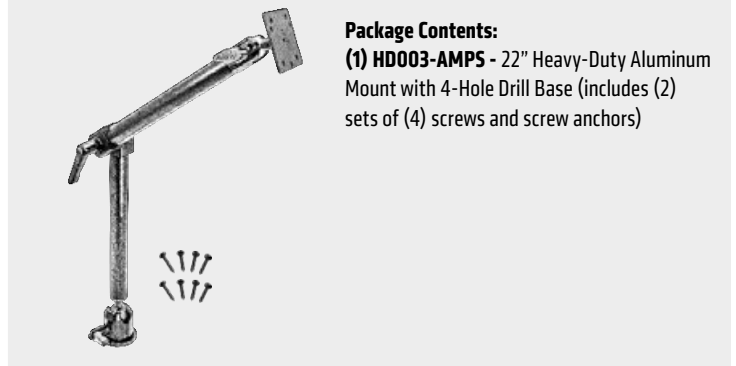
Tip: Once the mount is drilled into a flat surface, it may be difficult to adjust tightness. The tightening knob can be lifted up much like a socket wrench in order to be repositioned for tightening.



! Safety Precautions
Do not install Arkon products over an air bag cover or within the air bag deployment zone. Arkon Resources, Inc. assumes no responsibility of liability for injury or death as a result of car crashes and/or air bag deployment.

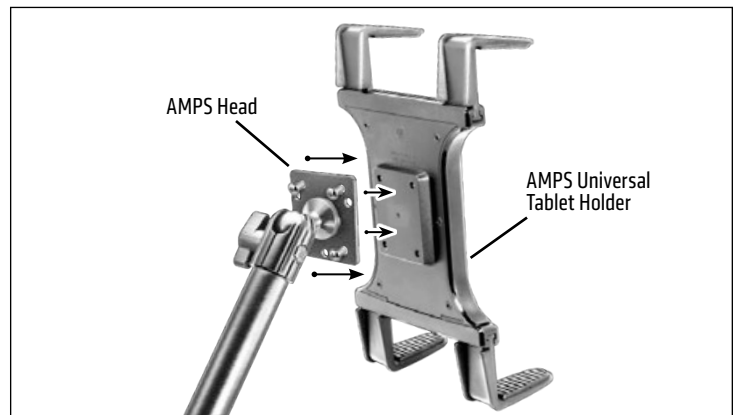
Arkon is not responsible for any damages caused to your car, your device, or yourself due to the installation or use of this pedestal mount.

Package Contents:
(1) HD003-AMPS - 22" Heavy-Duty Aluminum Mount with 4-Hole Drill Base (includes (2) sets of (4) screws and screw anchors)

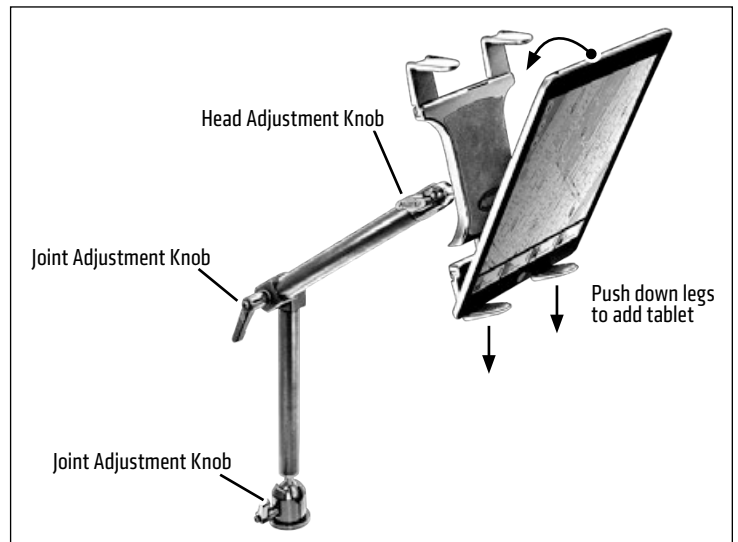


! Safety Precautions
Drilling into the dash or console is a permanent installation to the vehicle. Use caution and consult a mobile install professional to avoid drilling into the gas tank, electrical system or other highly sensitive vehicle components.

- 4** Attach an AMPS-compatible holder to the mount with screws.



- 5** Adjust the mount's positioning by loosening the adjustment knobs and re-tightening in the desired position.



ARKON
RESOURCES INC. The Mobile Mounting Specialists™