



**GN092-L28-AMPS**

**Package Contents:**

**(1) GN092-L28-AMPS** - 28" Seat Rail Mount with Flexible Metal Gooseneck and AMPS Head

Arkon recommends installing this mount on the passenger side seat rail.

- 1** With a socket wrench, loosen the seat track bolt.



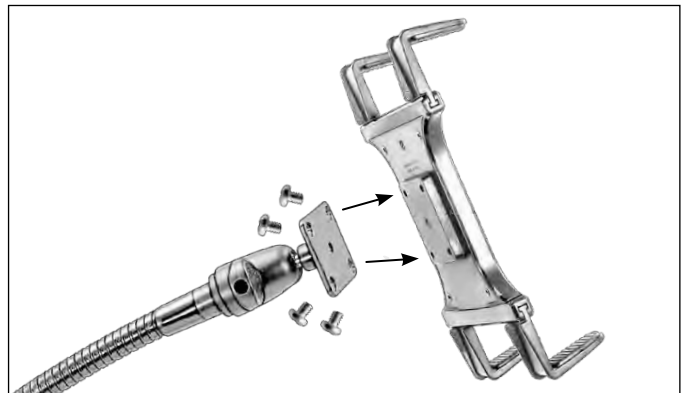
- 2** Insert the seat track bolt bracket (choose the bracket that best fits your vehicle).



- 3** Retighten the seat track bolt.



- 4** Attach AMPS-compatible holder or device (not included).



**Safety Precautions**

Arkon is not responsible for any damages caused to your vehicle, your device, or yourself due to the installation or use of this mount. Do not install Arkon products over an air bag cover or within the air bag deployment zone. Arkon Resources, Inc. assumes no responsibility of liability for injury or death as a result of car crashes and/or air bag deployment.

**ARKON**  
RESOURCES INC.

*The Mobile Mounting Specialists™*