

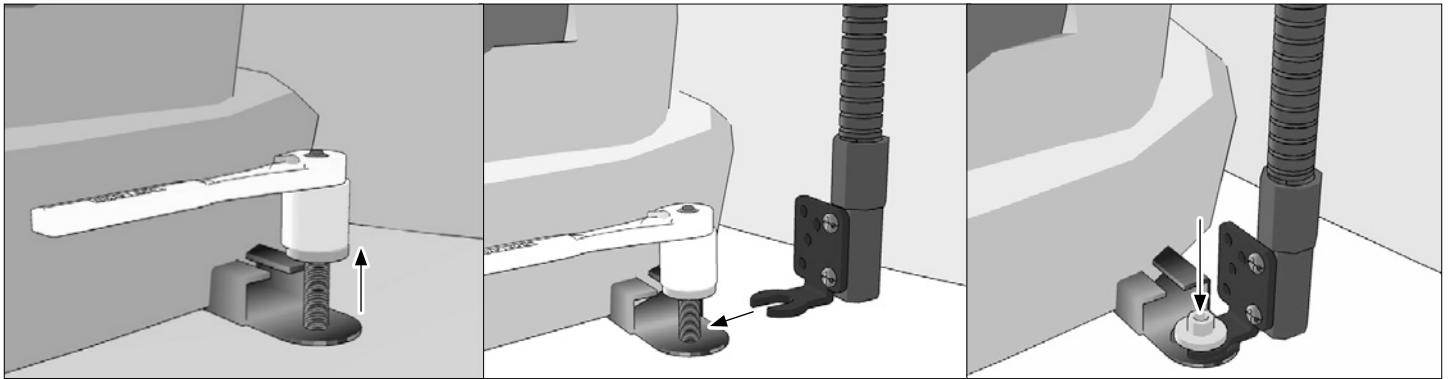


**Package Contents:**

**(1) GN088-SBH-AMPS-L22** - Aluminum Seat Rail or Floor Mount with 22" Flexible Gooseneck and 4-Hole AMPS Head

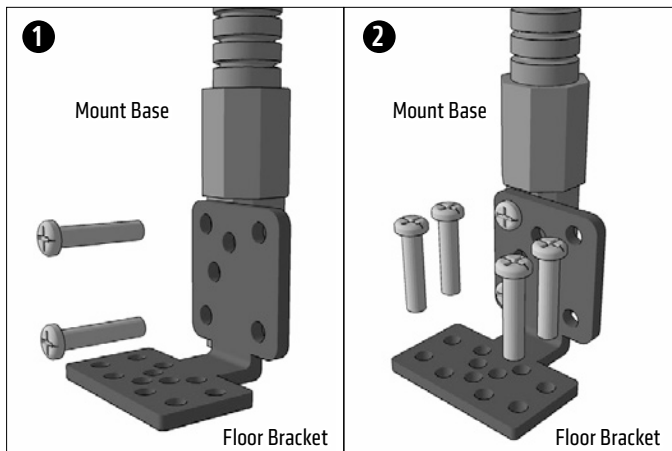
**Passenger Seat Bolt Mounting – Option 1:**

- 1** Use a socket wrench to loosen the passenger seat track bolt.
- 2** Insert the seat track bolt bracket.
- 3** Retighten the seat track bolt.

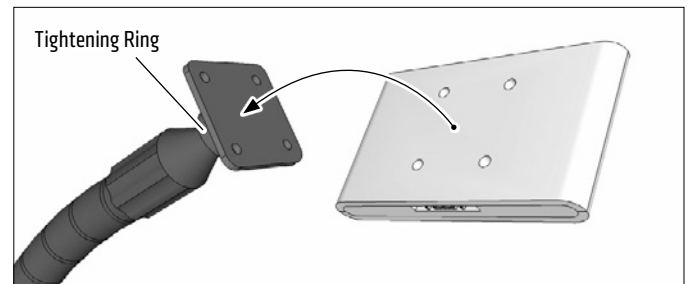


**Floor Mounting – Option 2:**

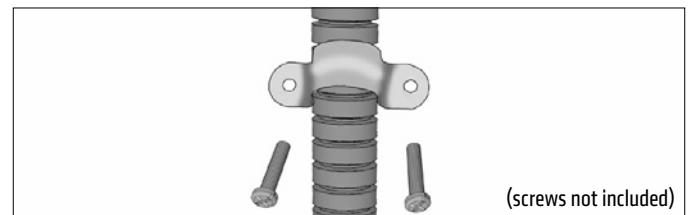
Screw the floor bracket to the mount. (Depending on your vehicle, you may need to change the orientation of the bracket.) Attach the floor / console bracket with screws.



**Using the 4-Hole AMPS Head:** Attach any AMPS-compatible device, holder, or adapter (not included, sold separately) to the AMPS head using appropriate screws (not included). Loosen tightening ring to set device at desired angle and then retighten.



**Optional:** Attach included metal conduit to console to minimize vibration.



**⚠ Safety Precautions**  
Do not install Arkon products over an air bag cover or within the air bag deployment zone. Arkon Resources, Inc. assumes no responsibility of liability for injury or death as a result of car crashes and / or air bag deployment.

Arkon is not responsible for any damages caused to your vehicle, your device, or yourself due to the installation or use of this mount.

**ARKON**  
RESOURCES INC. *The Mobile Mounting Specialists™*