



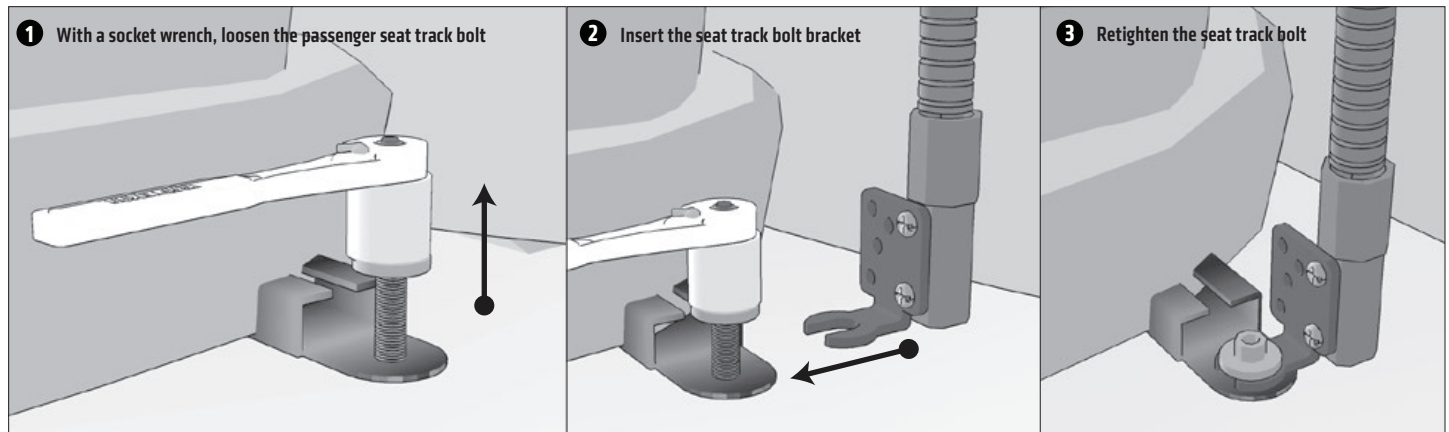
**Package Contents:**

GN088-L22-SBH – 22" Flexible Aluminum Seat Rail or Floor Mount

Do not place mount in or near an air bag deployment zone or where it will obstruct view of the road.

**Passenger Seat Bolt Mounting**

Install using the passenger seat track bolt.



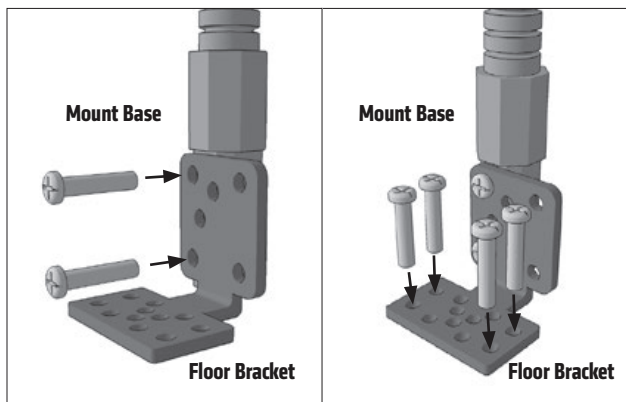
**Alternative Floor or Console Mounting**

For a more permanent mount, connect the floor / console mount bracket to the floor or console. This will require drilling into your vehicle's interior surface.

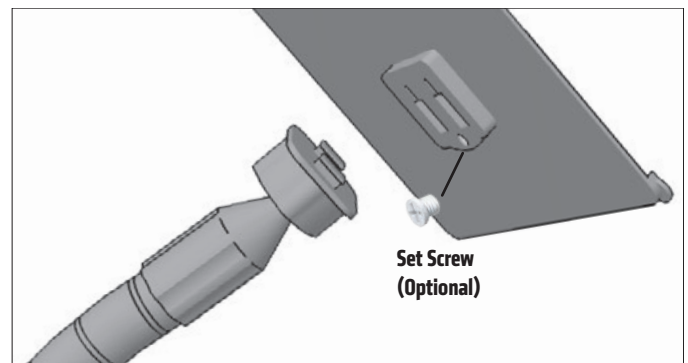
Drilling into the dash, floor, or console will permanently damage the vehicle. Use caution and consult a mobile install professional to avoid drilling into the gas tank, electrical system or other highly sensitive vehicle components.

**Fig. A** Screw the mount bracket to the mount. Depending on your vehicle, you may need to change the orientation of the bracket.

**Fig. B** Attach the floor / console bracket with screws.



**Attach a Tablet or Phone Holder to the Mount**



**Optional: Attach included metal conduit to console to minimize vibration.**

