



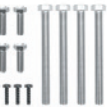
TAB005KL-B



SPRM38MM



APMAMPS38MM



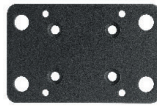
SP10FLIFT



SPTAB5KL



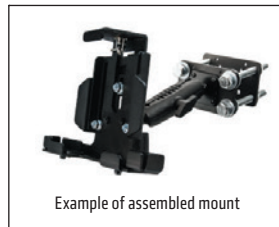
SPFLBKTRC



APFLBKTRC



APFLBKT



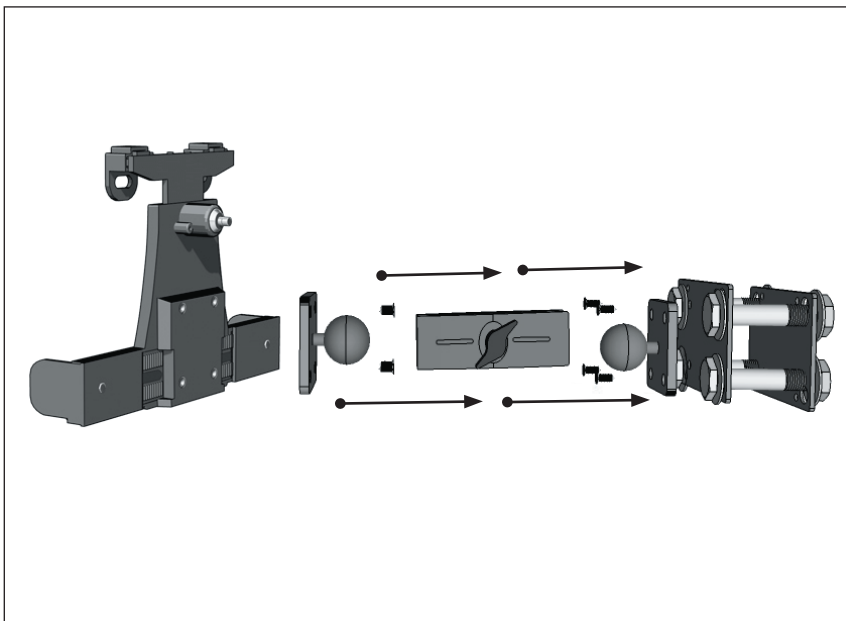
Example of assembled mount

Package Contents:

- (1) **APFLBKTRC** – 2.5" x 4" Black Steel Forklift Mounting Plate
- (1) **APFLBKT** – 2.5" x 4" Black Steel Recessed Forklift Mounting Plate
- (1) **SP10FLIFT** – Hardware Pack
- (1) **SPFLBKTRC** – Recessed Plate Hardware Pack
- (1) **TAB005KL-B** – Universal Locking Plastic Tablet Holder
- (1) **SPTAB5KL** – Security Kit for TAB005KL-B
- (1) **SPRM38MM** – 38mm Metal Robust Mount Shaft
- (2) **APMAMPS38MM** – Metal AMPS to 38mm Ball Adapter

Each steel plate weighs just over .5 pounds and measures 4" x 2.5" x 1/4" (101mm x 64mm x 6mm).

FLBK38TAB5 includes two steel mounting plates (including one recessed plate) for placement on either side of the forklift pillar. Use the included recessed plate hardware pack to secure the recessed plate to the FRONT of the forklift pillar. Use the included 3/8-16x4" Tap Bolts with washers and nuts to secure the plates at each corner.



Safety Precautions

Use caution during installation when handling heavy metal plates to avoid injury. Arkon assumes no responsibility of liability for injury or death due to the installation or use of this mount.

ARKON MOUNTS