

INSTALLATION INSTRUCTIONS

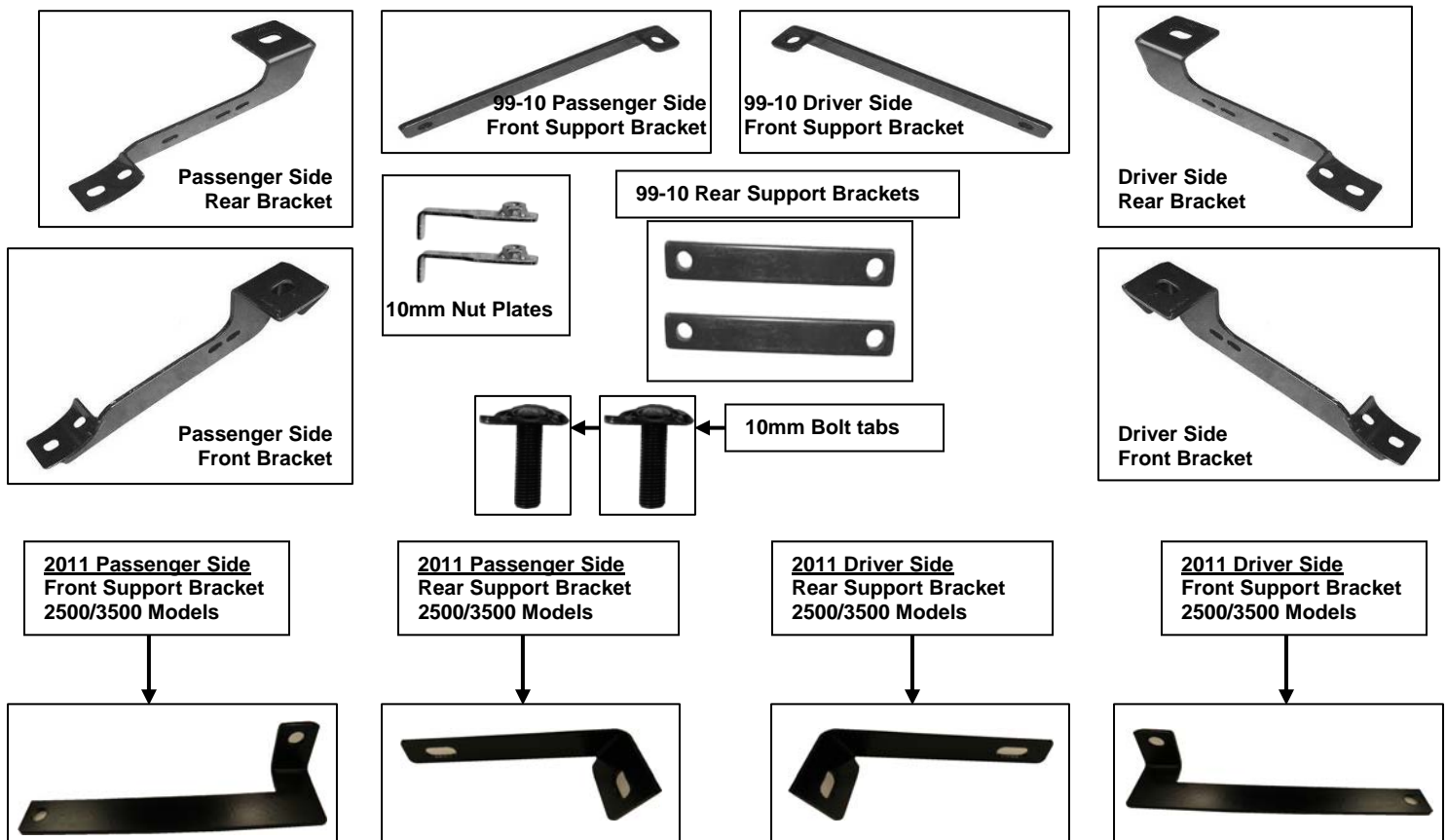
99-11 CHEVY SILVERADO REG CAB / 01-11 CHEVY HD REG CAB

99-11 GMC SIERRA REG CAB / 01-11 GMC SIERRA HD REG CAB

PART NUMBER 224017/224017-2

PARTS LIST:

1	Passenger Side Bar	2	10mm x 37mm bolt tab
1	Driver Side Bar	14	10-1.50mm x 30mm Hex Head Bolts
1	Passenger Side Front Mounting Bracket	6	10mm Hex Nuts
1	Driver Side Front Mounting Bracket	16	10mm Lock Washers
1	Passenger Side Rear Mounting Bracket	20	10mm ID x 22mm OD x 1.5mm Flat Washers
1	Driver Side Rear Mounting Bracket	2	10mm Nut Plates
2	Front Support Bracket 99-10	2	12-1.75mm x 30mm Hex Head Bolts
2	Rear Support Brackets 99-10	2	12mm Hex Nuts
2	Front Support Bracket 2011	4	12mm ID x 29mm x 3mm Flat Washers
2	Rear Support Brackets 2011	2	12mm Lock Washers



PROCEDURE:

1. **REMOVE CONTENTS FROM BOX. VERIFY ALL PARTS ARE PRESENT. READ INSTRUCTIONS CAREFULLY BEFORE STARTING INSTALLATION.**
2. From underside of vehicle remove front, and rear body mount bolts. Do not remove bushings.
3. Hang driver side front, and rear Mounting Brackets into position by partially threading factory body mounting bolts back into body mounts **(Fig 1)**.
4. Locate the two factory holes in the bottom of the frame towards the front of the vehicle. Insert (1) Nut Plate through oval hole and orient Nut Plate towards the front round hole, **(Fig 2)**.
5. Attach driver side front Support Bracket to already inserted Nut Plate by partially threading (1) 10mm x 30mm Hex Head Bolt, (1) 10mm Lock washer, and (1) 10mm Flat Washer **(Fig 3 & 4)**.

(1999-11) Front brace brackets 1500 Models:

Attach opposite side of driver side front Support Bracket to outside hole in the Mounting Bracket using the included (1) 10mm x 30mm Hex Head Bolt, (1) 10mm Hex Nut, (1) 10mm Lock Washer, and (2) 10mm Flat Washers **(Fig 3)**. Do not tighten at this time.

(1999-10) Front brace brackets 2500 Models:

Note that the Support Bracket will not reach the Mounting Bracket **(Fig 4)**. Tighten the Support Bracket to Nut Plate in the frame. Carefully push up on the Support Bracket until it reaches the inside hole in the Mounting Bracket **(Fig 5)**. Attach opposite side of driver side front Support Bracket to inside hole in the Mounting Bracket using the included (1) 10mm x 30mm Hex Head Bolt, (1) 10mm Hex Nut, (1) 10mm Lock Washer, and (2) 10mm Flat Washers **(Fig 6)**. Do not tighten at this time.

(2011) Front brace brackets 2500 Models:

Attach driver side front Support Bracket to the already inserted Nut Plate by partially threading (1) 10mm x 30mm Hex Bolt, (1) 10mm Lock washer, and (1) 10mm Flat Washer as seen in **(Fig 7)**

Attach opposite side of driver side front Support Bracket to outside hole in the Mounting Bracket using the included (1) 10mm x 30mm Hex Head Bolt, (1) 10mm Hex Nut, (1) 10mm Lock Washer, and (2) 10mm Flat Washers **(Fig 7A)**. Do not tighten at this time.

(1999-11) 1500 and (1999-10) 2500 Models Rear brace brackets

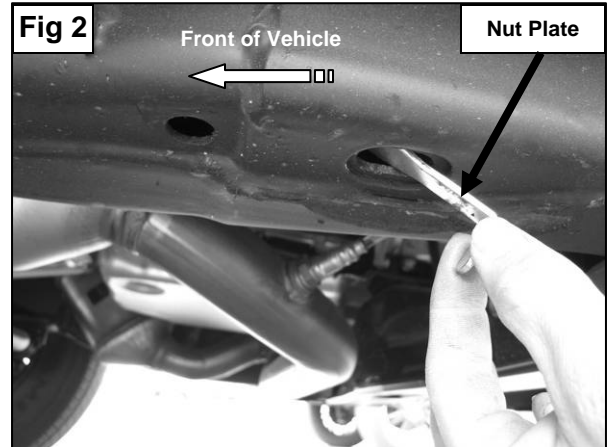
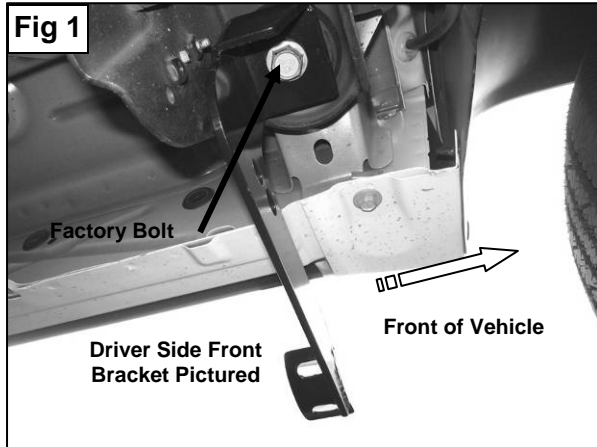
6. From the inner side of the Rear body mount, place (1) Rear Support Bracket onto front side of the body mount. Attach Rear Support Bracket to body mount using the included (1) 12-1.75mm x 30mm Hex Head Bolt, (1) 12mm Hex Nut, (1) 12mm Lock Washer, and (2) 12mm Flat Washers **(Fig 8 & 9)**. Do not tighten at this time. **NOTE:** Larger hole on the Rear Support Bracket mounts to body mount.
7. Attach opposite side of Rear Support Bracket to Rear Mounting Bracket using the included (1) 10-1.50mm x 30mm Hex Head Bolts, (1) 10mm Hex Nuts, (1) 10mm Lock Washers, and (2) 10mm Flat Washers **(Fig 8 & 9)**. Do not tighten at this time.
8. **(2011) 2500 Models: Middle brace brackets**
Located just above the mount bracket there is a oblong hole as seen in **(Fig 10)** place the bolt tab in the hole, select the driver side brace bracket and secure it to the bolt tab with (1) 10mm Hex Nut, (1) 10mm Lock Washer, and (1) 10mm Flat Washers attach opposite side of driver side Rear Support Bracket to inside hole in the Mounting Bracket using the included (1) 10mm x 30mm Hex Head Bolt, (1) 10mm Hex Nut, (1) 10mm Lock Washer, and (2) 10mm Flat Washers **(Fig 10A)**. Do not tighten at this time.
9. Carefully position Driver Side Bar onto Mounting Brackets. Attach Side Bar to Mounting Brackets using the included (4) 10-1.50mm x 30mm Hex Head Bolts, (4) 10mm Lock Washers, and (4) 10mm Flat Washers **(Fig 11)**.shows front bracket attaching to side bar, Do not tighten at this time.
10. Level and adjust Side Bar, then tighten all hardware at this time.
11. Repeat steps 2-10 for passenger Side Bar.
12. Do periodic inspections to the installation to make sure that all hardware is secure and tight.

To protect your investment, wax this product after installing. Regular waxing is recommended to add a protective layer over the finish. Do not use any type of polish or wax that may contain abrasives that could damage the finish.

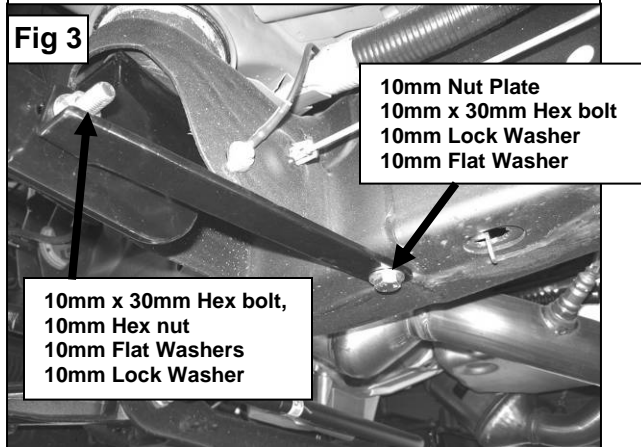
For stainless steel: Aluminum polish may be used to polish small scratches and scuffs on the finish. Mild soap may be used also to clean the Sidebar.

For gloss black finishes: Mild soap may be used to clean the Sidebar.

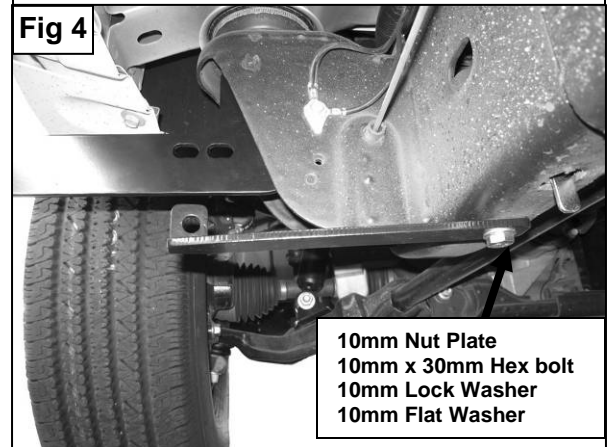
Driver Side Installation Pictured



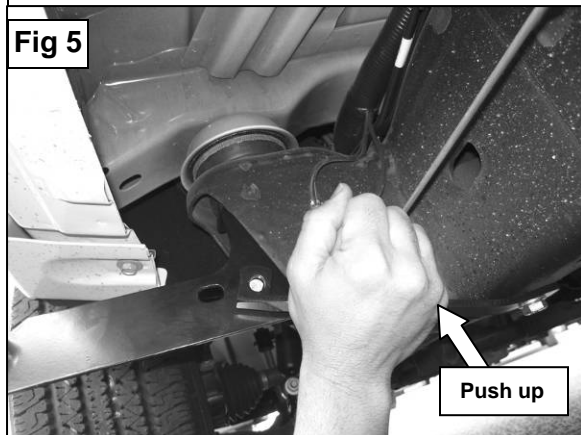
1999-11 1500 Model Front Installation Pictured



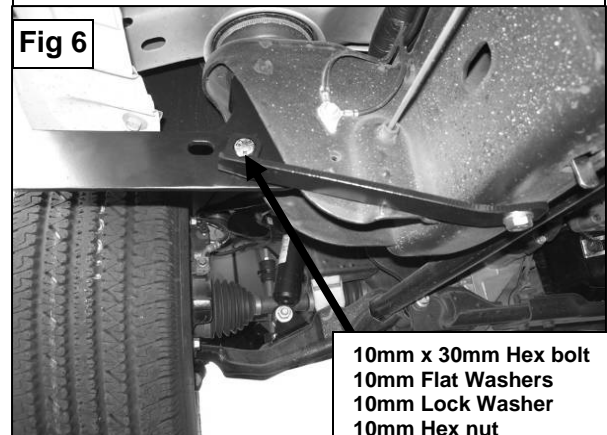
1999-10 2500 Model Front Installation Pictured



99-10 2500 Model Front Installation Pictured

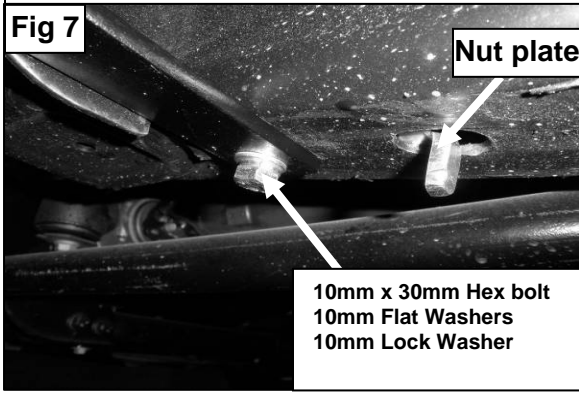


99-10 2500 Model Front Installation Pictured



2011 2500 Model Front Installation Pictured

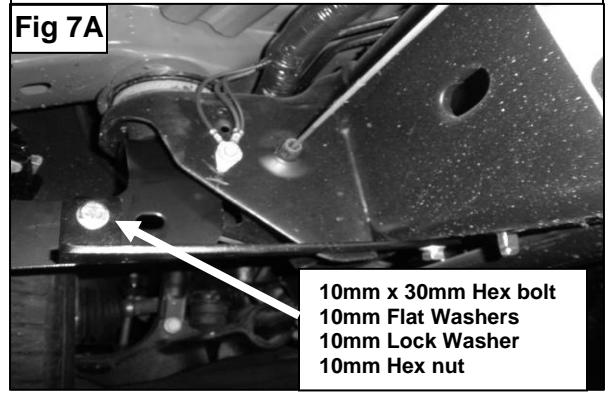
Fig 7



10mm x 30mm Hex bolt
10mm Flat Washers
10mm Lock Washer

2011 2500 Model Center Installation Pictured

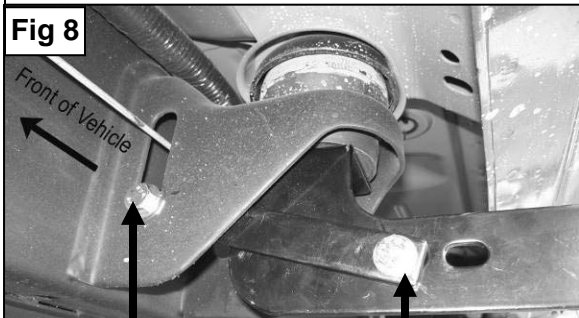
Fig 7A



10mm x 30mm Hex bolt
10mm Flat Washers
10mm Lock Washer
10mm Hex nut

1500 Model Rear Installation Pictured

Fig 8



12mm x 30mm Hex bolt
12mm Hex nut
12mm Flat Washers
12mm Lock Washer

10mm x 30mm Hex bolt,
10mm Hex nut
10mm Flat Washers
10mm Lock Washer

99-10 2500 Model Rear Installation Pictured

Fig 9

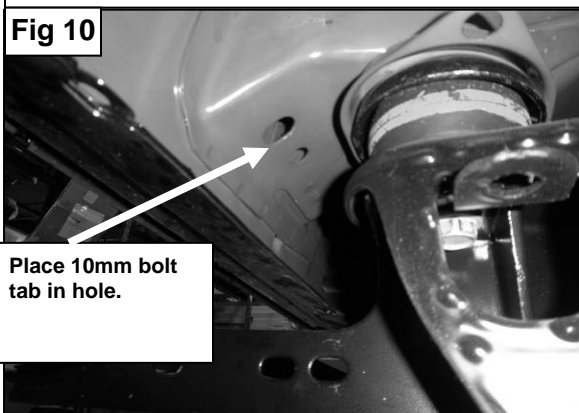


12mm x 30mm Hex bolt
12mm Hex nut
12mm Flat Washers
12mm Lock Washer

10mm x 30mm Hex bolt,
10mm Hex nut
10mm Flat Washers
10mm Lock Washer

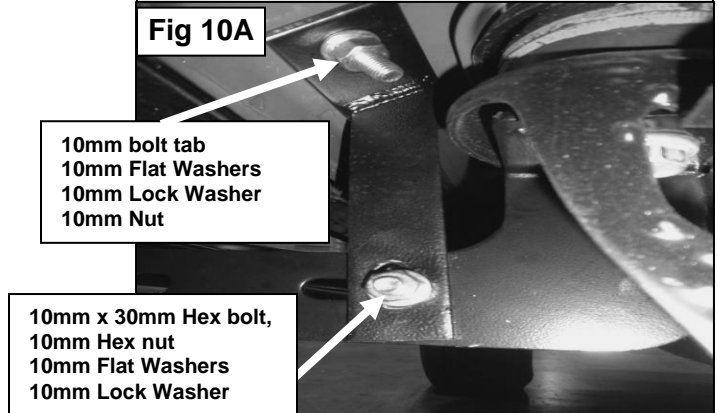
2011 2500 Model Rear Installation Pictured

Fig 10



2011 2500 Model Rear Installation Pictured

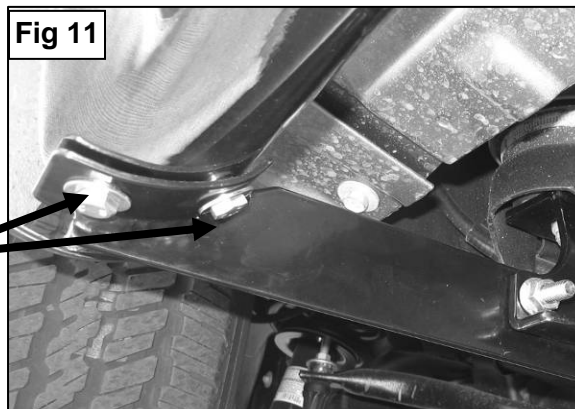
Fig 10A



10mm bolt tab
10mm Flat Washers
10mm Lock Washer
10mm Nut

10mm x 30mm Hex bolt,
10mm Hex nut
10mm Flat Washers
10mm Lock Washer

Fig 11



10mm x 30mm Hex bolt,
10mm Lock Washer
10mm Flat Washer