



INSTALLTION INSTRUCTIONS

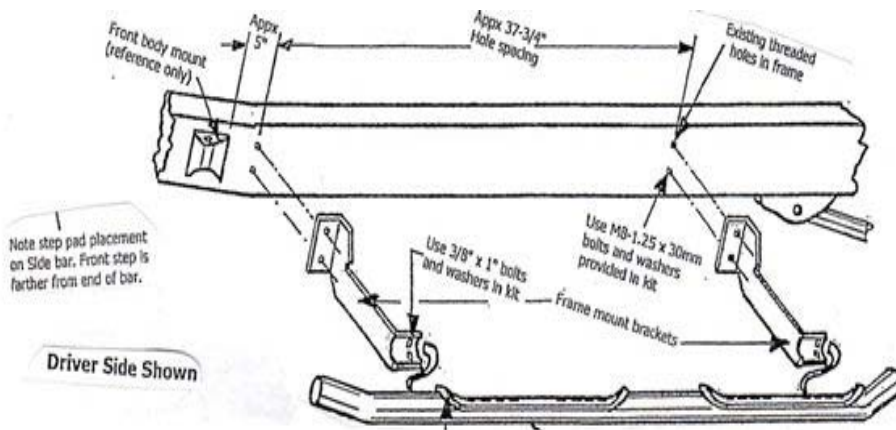
**SIDEBARS PART # 202011/202011-2 2007
TOYOTA FJ CRUISER**

<u>PARTS LIST</u>		
ITEM	DESCRIPTION	QUANTITY
1.	PASSANGER SIDEBAR	1
2.	DRIVER SIDEBAR	1
3.	MOUNT BRACKETS DRIVER SIDE	2
4.	MOUNT BRACKETS PASSENGER SIDE	2
5.	M8- 1.25 X 30MM BOLTS	8
6.	3/8" FLATWASHERS	8
7.	5/16" LOCKWASHERS	8
8.	3/8" LOCKWASHERS	8
9.	3/8" X 1" BOLTS	8
10.	5/16" FLATWASHERS	8

STEP 1: FROM UNDERNEATH THE TRUCK, NOTE THE FRONT BODY MOUNT AND TWO EXISTING THREADED HOLES APPX. 5" BACK TOWARDS REAR OF TRUCK. SEE ILLUSTRATION BELOW TO DETERMINE POSITION OF THE BRACKETS. PLACE ONE DRIVER SIDE BRACKET ONTO FRAME THEN ALIGN HOLES TO BRACKET WITH THOSE IN THE FRAME AND THEN SECURE USING M8 BOLTS & 5/16" WASHERS PROVIDED IN THE HARDWARE KIT. HAND TIGHTEN ONLY AT THIS TIME. PLACE THE OTHER DRIVER SIDE BRACKET ONTO THE FRAME AT THE EXISTING HOLES APPX. 37-3/4" BACK AND THEN SECURE IN THE SAME MANNER.

STEP 2: TAKE THE DRIVER SIDE BAR AND POSITION ON THE BRACKETS AS SHOWN , WITH THE REAR STEP PAD CLOSER TO THE END OF THE BAR AND SECURE BAR TO THE BRACKETS USING 3/8" BOLTS AND WASHERS PROVIDED AND CAREFULLY ROTATING BAR UNTIL STEP PADS ARE CORRECTLY POSITIONED ON TOP OF THE BAR. RETURN TO M8 BOLTS THAT SECURE BRACKETS TO FRAME AND FINISH TIGHTENING BOLTS. NOW FINISH TIGHTENING 3/8" BOLTS THAT SECURE BAR TO BRACKETS, ROTATING BAR IF NECESSARY TO POSITION STEPPADS ONTOP OF BAR.

STEP 3: REPEAT STEPS 1 AND 2 ON PASSENGER SIDE.



DISCLAIMER- BUYERS ASSUMES ALL RISK AND LIABILITY WHATSOEVER FROM THE INSTALLATION AND USE OF ARIES PRODUCTS. ARIES PRODUCTS ARE SOLD AS DECORATIVE ACCESSORIES AND SHOULD NOT BE RELIED UPON AS PROTECTION FOR THE VEHICLE OR OCCUPANTS IN THE EVENT OF A COLLISION OR ROLL OVER. ARIESW AUTOMOTIVE ASSUMES NO LIABILITY FOR INJURY, LOSS, INCIDENTAL OR CONSEQUENTIAL DAMAGES IN THE EVENT OF A COLLISION OR ROLLOVER.