



## INSTALLATION INSTRUCTIONS

GRILL/ BRUSH GAURD PART #5042/ 5042-2  
1994-2001 DODGE RAM P/U 1500 2/4WD  
1994-2002 DODGE RAM P/U 2500/3500 2/4WD

### **PARTS LIST**

- |                              |                         |
|------------------------------|-------------------------|
| (1) <b>FRONT BAR</b>         | (12) 7/16" FLAT WASHERS |
| (2) FRAME MOUNT BRACKETS     | (6) 7/16" HEX LOCK NUTS |
| (6) 7/16" x 1 1/4" HEX BOLTS |                         |

### **PROCEDURE**

1. Remove factory tow hooks from front of truck, if equipped. Remove factory plastic spoiler or cut a space in the plastic spoiler to allow for the bottom of the Front Bar uprights to slide through and eventually attach to the Frame Mount Brackets.  
**Note:** If vehicle is not equipped with tow hooks, locate (2) bolts on each side of truck that would secure them.
2. Attach passenger-side Frame Mount Bracket to passenger-side vehicle frame rail using the tow hook bolts that were just removed (see Figure 1.1). Hand tighten.
3. Repeat for driver-side of vehicle using driver-side Frame Mount Bracket.
4. Line up the 3 holes on the lower portion of the Front Bar with the 3 holes on the outside of each of the Frame Mount Brackets and attach using (3) 7/16" x 1 1/4" hex bolts, (6) 7/16" flat washers, and (3) 7/16" hex lock nuts for each side. Hand tighten.
5. Align the left and right side of the Front Bar to the vehicle bumper, and when satisfied that the Bar is centered, tighten the (6) bolts supporting the Front Bar. The (4) factory Frame Mount Bracket bolts may now be tightened to complete installation.

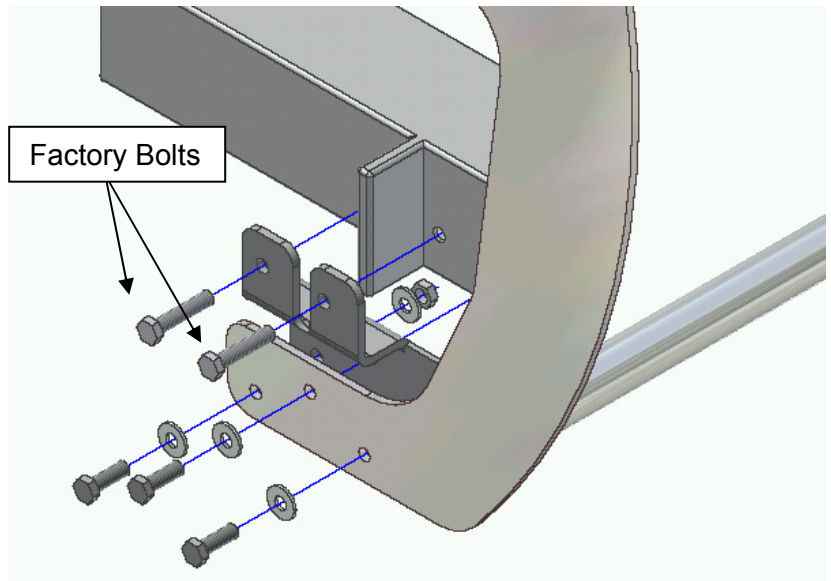


Figure 1.1 – Passenger-Side Mount Bracket