

## INSTALLATION INSTRUCTION









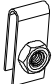
ITEM NO:M4504

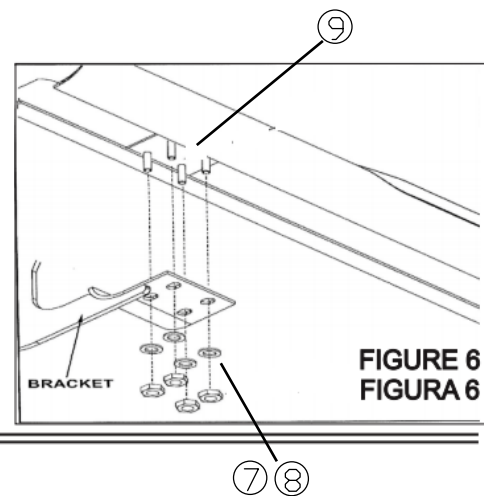
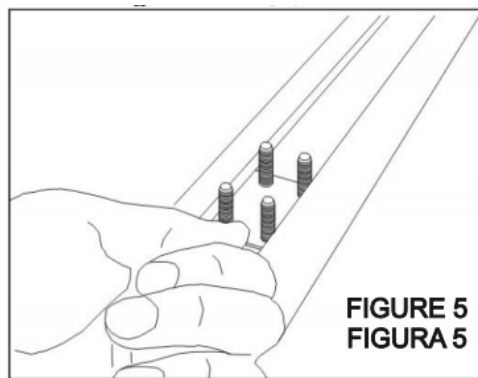
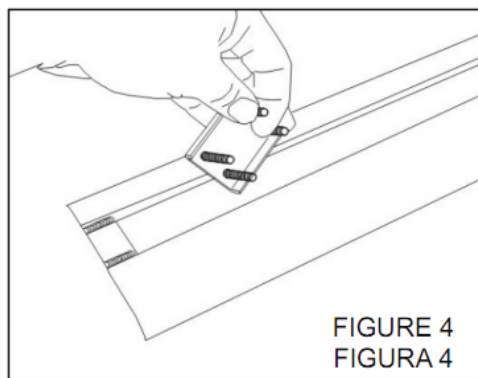
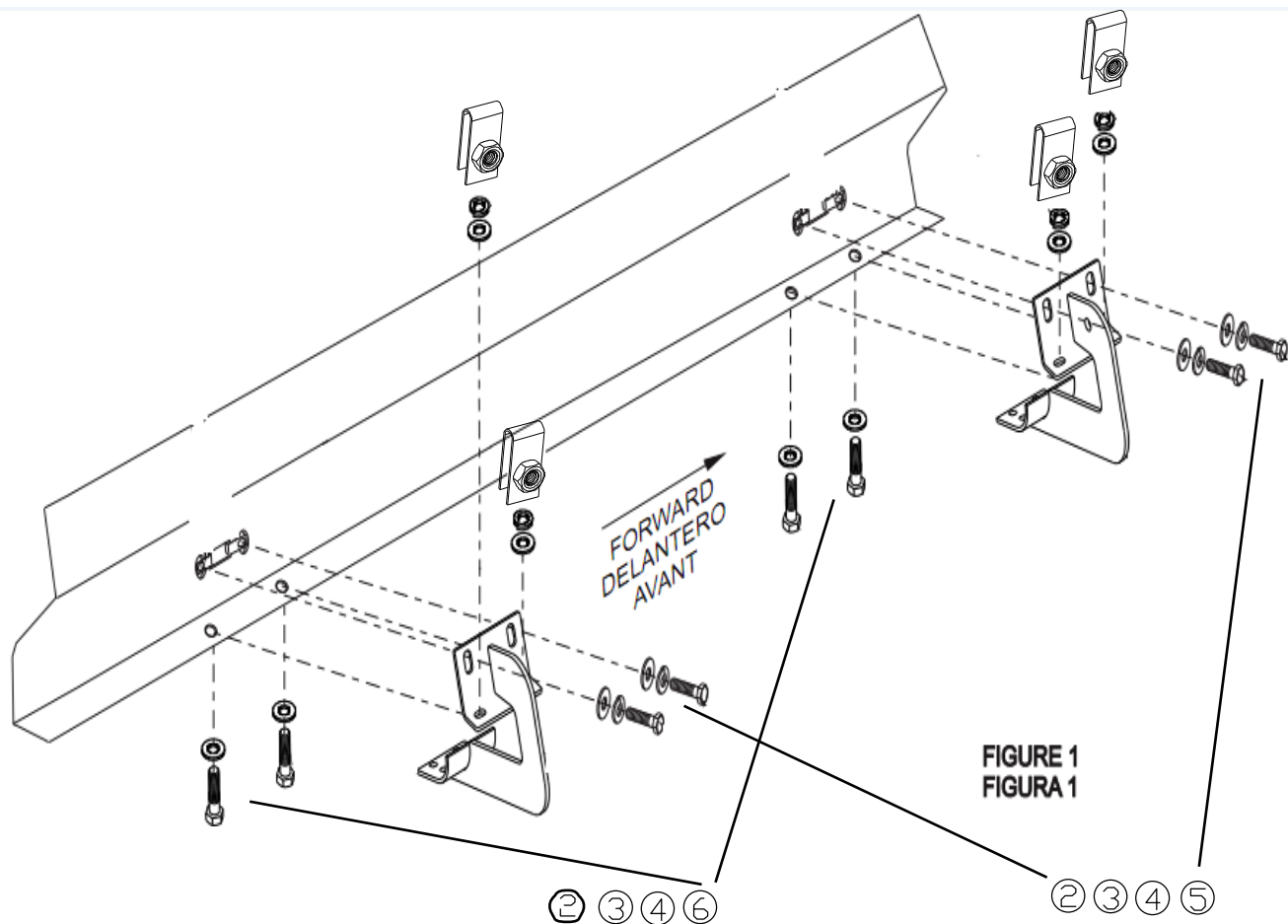
APPLICATION:Ford F150 Regular/Super/Super Crew Cab 6" 04-13

### ATTENTION

1. Please read this installation instruction before installing this part.  
When install it, please pay attention to protecting your vehicles.
  
2. When you use it, please check this parts at a fix time-lapse, such as one month or two month.

### PARTS LIST

No	Name	Photo	Qty	Remarks	No	Name	Photo	Qty	Remarks
①	Mount bracket		4		⑦	Flat washer		16	M6
②	Hex Bolt		16	M8*25	⑧	LOCK NUT		16	M6
③	Lock washer		16	M8	⑨	"T"Bolt		4	
④	Flat washer		16	M8					
⑤	Hex nut		8	M8					
⑥	"U"nut		8	M8					



**INSTALLATION STEPS**

STEP 1: Check the parts in the box carefully if match above list .

STEP 2: Pls prepare the tools for installation, follow as: 8-10、12-14 wrench.

STEP 3: Put the mount bracket into the girder of the car, and tighten it with (2) (3) (4) (5) (6).

STEP 4: Install the Side Step on the mount bracket , and tighten it with (7) (8) (9).

STEP 5: Installation is finished.

[View other side steps and nerf bars made by Aries on our website.](#)