



**INSTALLATION INSTRUCTIONS  
FRONT BAR PART #4077  
2006 GM HUMMER H3 BRUSH GUARD**

<u>QTY.</u>	<u>CONTENT</u>
1	<b>ONE PIECE GRILL/BRUSH GUARD</b>
2	<b>INSULATOR GASKETS</b>

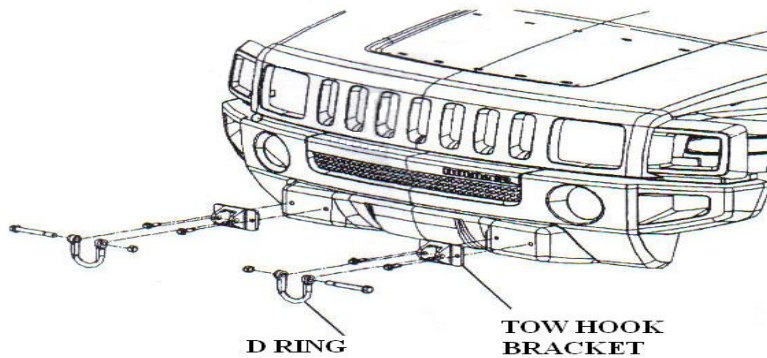
**STEP 1** REMOVE TOW HOOKS (FIGURE 1). USING 24MM SOCKET AND WRENCH, REMOVE BOLTS THROUGH “D” RING. USING 18MM SOCKET AND WRENCH, REMOVE BOLTS FASTENING TOW HOOK BRACKET.

**STEP 2** LOCATE FUR TOW HOOK BRACKET HOLES. INSTALL INSULATING GASKET, BRUSH GUARD, AND TOW HOOK BRACKETS USING EXISTING BOLTS. TIGHTEN TO 85Nm +/-15Nm (63 FT. LBS +/-11FT. LBS). SEE FIGURE 2.

**STEP 3** INSTALL “D” RING USING EXISTING NUTS AND BOLTS. TIGHTEN TO 15NM (11FT LBS).

**PLEASE ENSURE TO FOLLOW TORQUE VALUES. SPECIFIED FAILURE TO DO SO MAY RESULT IN DAMAGE TO THE PART AND/OR VEHICLE.**

**FIGURE 1**



**FIGURE 2**

