



INSTALLATION INSTRUCTIONS

GRILL/ BRUSH GAURD PART #4052/ 4052-2

2002 – 2003 CHEVROLET AVALANCHE 1/2 TON 2/4WD

PARTS LIST

- | | |
|------------------------------|-------------------------|
| (1) FRONT BAR | (12) 7/16" FLAT WASHERS |
| (2) FRAME MOUNT BRACKETS | (6) 7/16" HEX LOCK NUTS |
| (6) 7/16" x 1 1/4" HEX BOLTS | |

PROCEDURE

1. Locate tow hooks from front of vehicle, and remove (2) factory tow hook mounting bolts per side. The first bolt is located on the underside of the frame rail, and the second bolt is on the outer side of the rail (see Figure 1.2).
2. Attach passenger Frame Mount Bracket to passenger-side frame rail as shown in Figure 1.2, and secure to outside of frame using factory bolts. Hand tighten and repeat for driver-side Frame Mount Bracket.
3. Line up the 3 holes on the lower portion of the Front Bar with the 3 holes on the inside of each of the Frame Mount Brackets and attach using (3) 7/16" x 1 1/4" hex bolts, (6) 7/16" flat washers, and (3) 7/16" hex lock nuts for each side. Hand tighten.
4. Align the left and right side of the Front Bar to the vehicle bumper, and when satisfied that the Bar is centered, tighten the (6) bolts supporting the Front Bar. The (4) Frame Mount Bracket bolts may now be tightened, to complete installation.

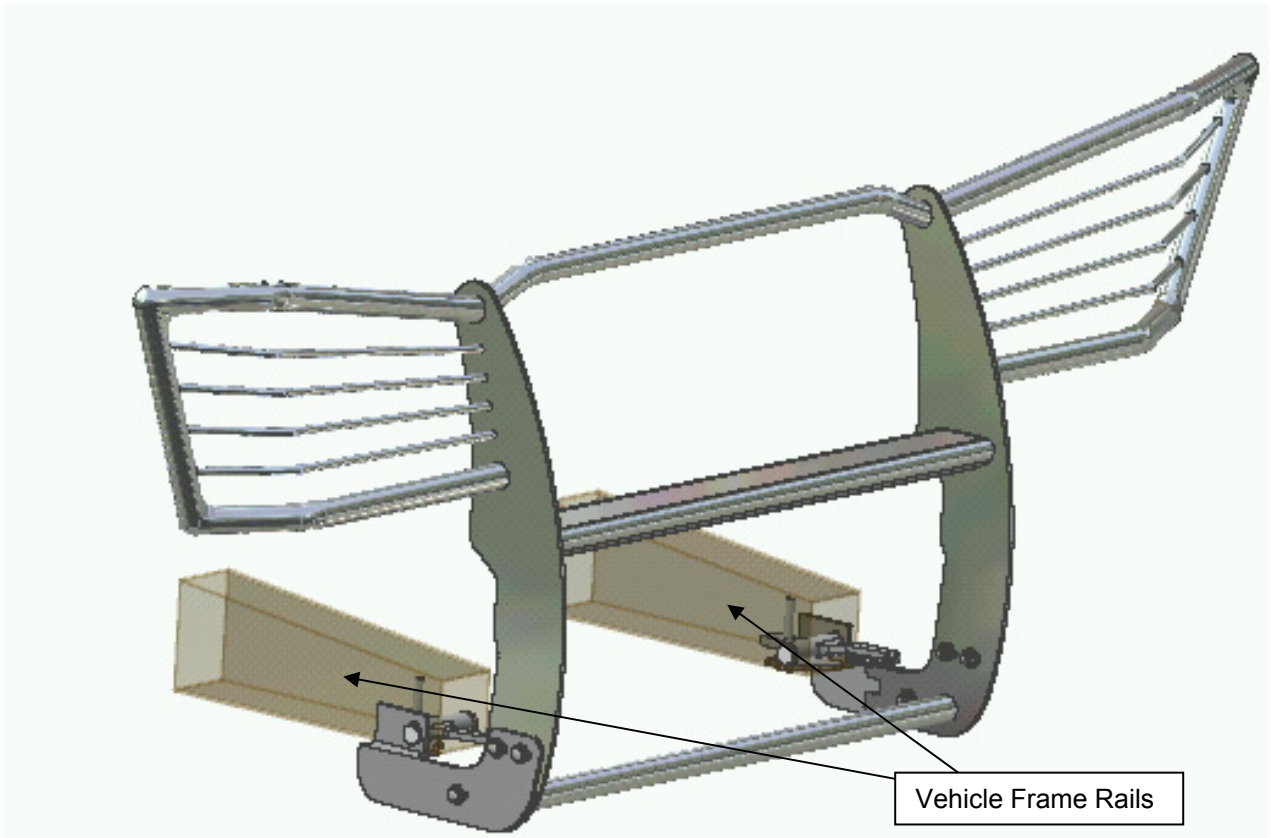


Figure 1.1 – Fully Assembled View

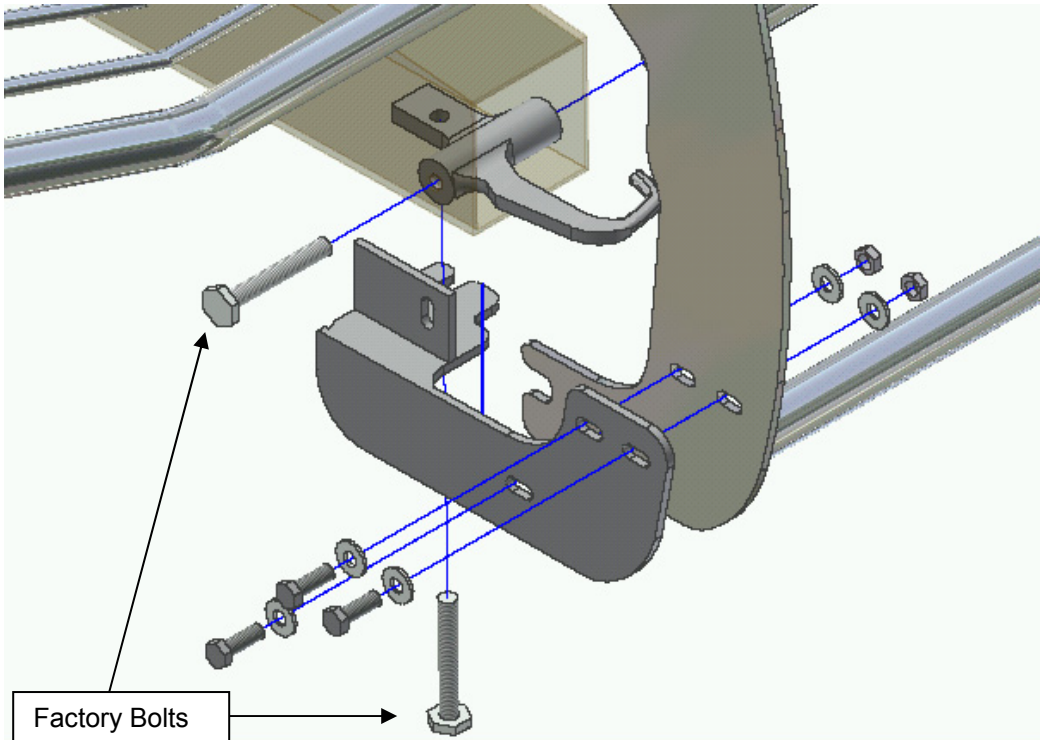


Figure 1.2 – Passenger-Side Mount Bracket