



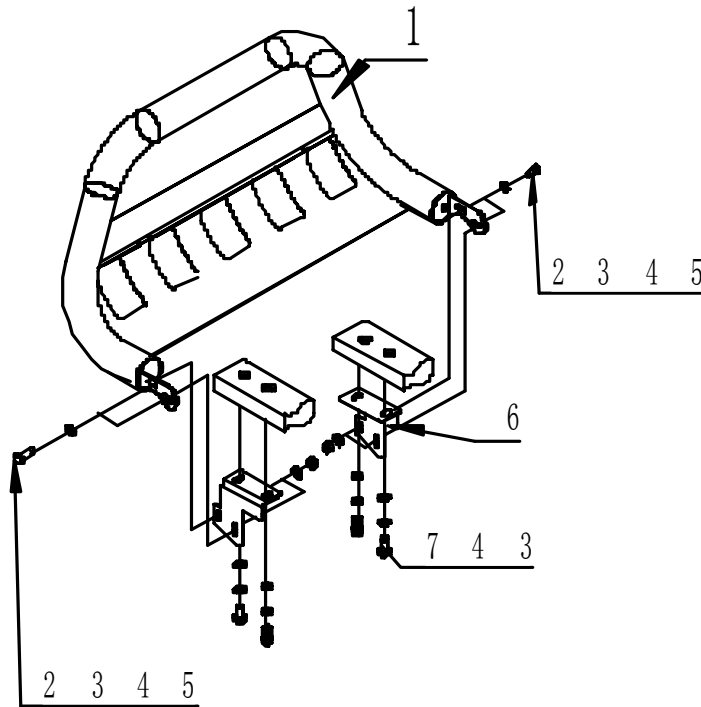
INSTALLATION INSTRUCTIONS
2005-07 PATHFINDER / 2005-10 FRONTIER / 2005-10 XTERRA
BULL BAR PART# B35-9002 / 35-9002

STEP 1. REMOVE THE CONTENTS FROM BOX AND CHECK FOR DAMAGE. VERIFY ALL PARTS ARE PRESENT. READ INSTRUCTIONS COMPLETELY BEFORE BEGINNING.

STEP 2. NOTE:IT MAY BE NECESSARY TO REMOVE/RELOCATE FRONT LICENSE PLATE AND LICENSE PLATE BRACKET. IT IS NOT REQUIRED,BUT STRONGLY RECOMMENDED. IF LOCAL/STATE LAWS REQUIRES A LICENSE PLATE, LICENSE PLATE RELOCATION KIT 32-0055 SI AVAILABLE.

STEP 3. REMOVE LOWER AIR DAM BY REMOVING SIX BOLTS FROM BOTTOM OF BUMPER. SAVE FOR LATER INSTALLATION.

STEP 4. DETERMINE PASSENGER AND DRIVER BRACKETS AND INSTALL AS SHOWN. NOTE: IF VEHICLE IS EQUIPPED WITH OPTIONAL TOW HOOKS,THEY MUST BE REMOVED.



NO	NAME	QTY	REMARKS
1	GRILLE GUARD		
2	HEX BOLT	4	M12*35
3	FLAT WASHER	12	φ12
4	SPRING WASHER	8	φ12
5	HEX NUT	4	M12
6	MOUNTING BRACKET	2	
7	HEX BOLT	4	M12*1.25*35