



**BULL BAR**  
**B35-2001 / 35-2001 INSTRUCTION**  

---

**1999-06 TUNDRA / 2001-07 SEQUOIA**

<u>QTY.</u>	<u>ITEM</u>	<u>CONTENT</u>
1	1	<b>BULL BAR</b>
2	2	<b>BRACKETS-PASSENGER &amp; DRIVER SIDE</b>
4	3	<b>RUBBER BUMPER</b>
2	4	<b>1/2 -13 X 2.00" HEX HEAD BOLT</b>
4	5	<b>1/2" FLAT WASHERS</b>
2	6	<b>1/2" LOCK WASHERS</b>
2	7	<b>M12-1.25 X 30MM HEX HEAD BOLT</b>

**STEP 1** REMOVE CONTENTS FROM BOX AND VERIFY ALL PART ARE PRESENT. READ INSTRUCTIONS COMPLETELY BEFORE BEGINNING.

**STEP 2** IT MAY BE NECESSARY TO REMOVE/RELOCATE FRONT LICENSE PLATE AND LICENSE PLATE BRACKET. IT IS NOT REQUIRED, BUT SRONGLY RECOMMENDED.

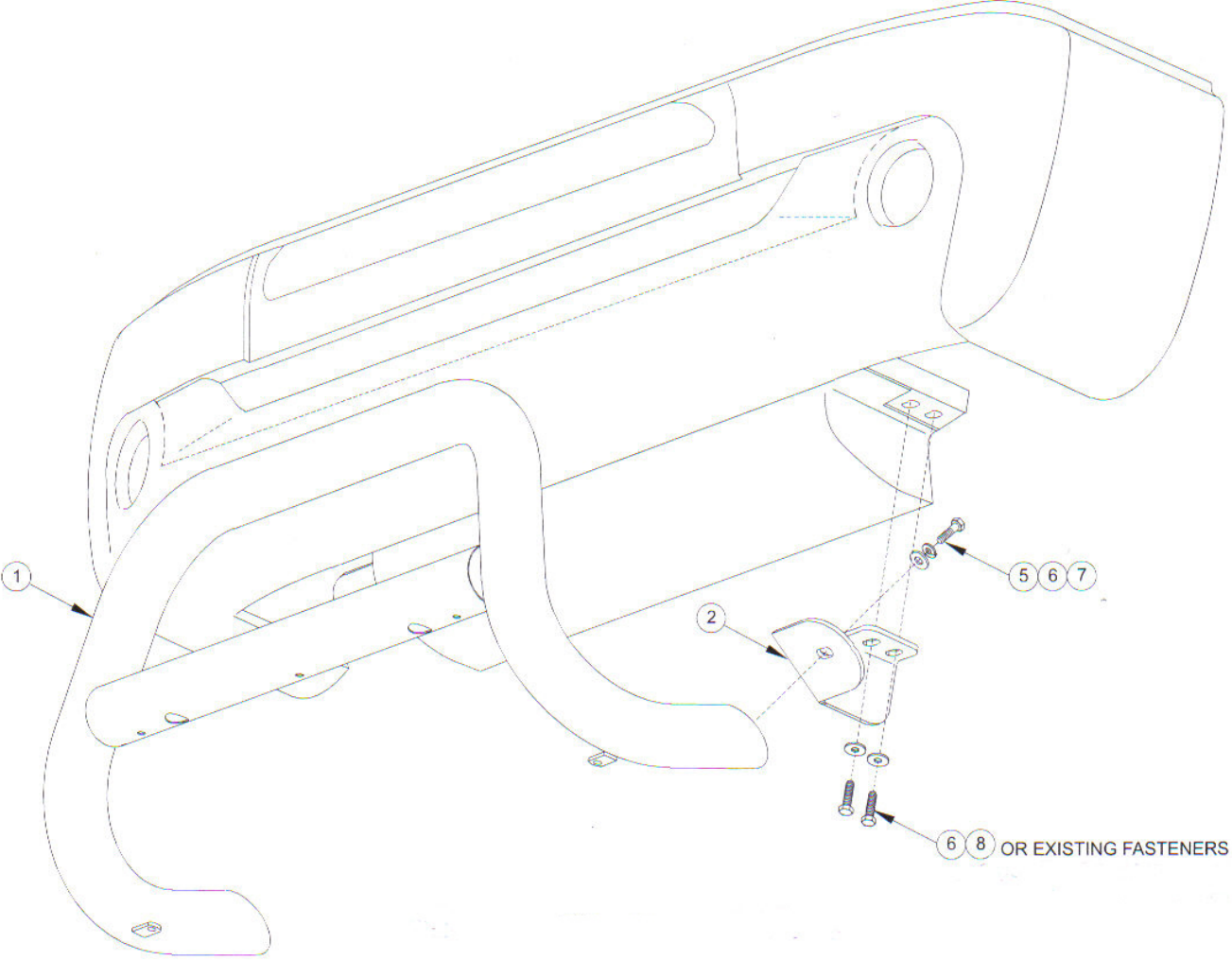
**STEP 3** DETERMINE PASSENGER AND DRIVER BRACKETS. SEE FIGURE 1. REMOVE AND DISCARD TIE DOWN LOOP AND TOW HOOK, (SAVE SHORTER 12MM FASTNERS). ATTACH BRACEKTS USING SHORTER EXISTING FASTENERS AND SUPPLIED 12MM BOLTS AS SHOWN. LEAVE LOOSE.

**STEP 4** ATTACH BULL BAR TO BRACKETS USING 1/2" FASTENERS AS SHOWN. LEVEL AND ADJUST BULL BAR AS DESIRED. TORQUE ALL FASTENERS TO 65 FT.LBS.

**FINISH PROTECTION-** *ARIES PRODUCTS HAVE A HIGH FINISH THAT MUST BE MAINTAINED SUCH AS ANY OTHER HIGH FINISH PRODUCT ON THE VEHICLE. PROTECT THE FINISH WITH A NON-ABRASIVE AUTOMOTIVE WAX. THE USE OF SOAP, POLISH, OR WAX THAT CONTAINS ABRASIVES IS DETRIMENTAL, AS THE COMPOUNDS SCRATCH THE FINISH AND OPEN IT TO CORROSION.*

**DISCLAIMER-** BUYER ASSUMES ALL RISK AND LIABILITY WHATSOEVER FROM THE INSTALLATION AND USE OF ARIES PRODUCTS. ARIES PRODUCTS ARE SOLD AS DECORATIVE ACCESSORIES AND SHOULD NOT BE RELIED UPON AS PROTECTION FOR THE VEHICLE OR OCCUPANTS IN THE EVENT OF A COLLISION OR ROLL OVER. ARIES AUTOMOTIVE ASSUMES NO LIABILITY FOR INJURY, LOSS, INCIDENTAL OR CONSEQUENTIAL DAMAGES IN THE EVENT OF A COLLISION OR ROLLOVER.

**B35-2001 / 35-2001**



Rely on premium grille guards and bull bars by Aries if you're looking for quality and efficiency.