



## **INSTALLATION INSTRUCTIONS**

GRILL/ BRUSH GAURD PART

#3056 2004-05 FORD F150 2/4WD

\*06-07 SEE PAGE 3 (Top Bracket Difference)

### **PARTS LIST**

- |                           |                               |
|---------------------------|-------------------------------|
| (1) FRONT BAR             | (18) 7/16 USS FLAT WASHERS    |
| (2) FRAME MOUNT BRACKETS  | (2) 3/8 X 1 BUTTON BOLTS      |
| (2) BRACE BRACKETS        | (2) 3/8 LOCK NUTS             |
| (2) NUT PLATES            | (2) 3/8 USS FLAT WASHERS      |
| (10) 7/16 X 1 ¼ HEX BOLTS | (2) M10 -1.5 X 40 MM HEX HEAD |
| BOLTS                     |                               |
| (6) 7/16 HEX LOCK NUTS    |                               |

### **PROCEDURE FOR 2WD**

1. Remove factory plastic spoiler temporarily from the front section of vehicle to allow installation of mount brackets. Beginning with the driver side, place (1) nut plate through the front of the vehicles frame rail and align holes to the two matching holes in the frame rail. Attach (1) Frame Mount Bracket to the underside of the frame rail and secure to the nut plate using (2) 7/16 x 1 ¼ bolts and (2) 7/16 USS flat washers. Hand tighten and repeat for passenger side. Position factory plastic spoiler on the vehicle and carefully mark and cut slots to fit around frame mount brackets and front bar uprights. Attach the spoiler to the vehicle.

### **FOR 4WD**

1. Remove tow hooks from the front of the vehicles frame by removing the front bolt and loosening the rear bolt. Place the frame mount brackets on the underside of the frame , as shown in Figure 1.2, followed by the tow hooks. Replace the factory bolts and hand tighten.
2. Line up the 3 holes on the lower portion of the Front Bar with the 3 holes on the inside of each of the frame mount brackets (see Figure 1.2) and attach using (3) 7/16 x 1 ¼ hex bolts, 6-7/16 USS flat washers, and (3) 7/16 hex lock nuts for each side. Hand Tighten.
3. To attach the brace brackets, open the hood and remove (2) factory bolts located just behind the bumper, and in line with the front bar uprights. Please see\ third page for detailed instructions.

5. Align the left and right side of the Front Bar to the vehicle bumper, and when satisfied that the Bar is centered, tighten the (4) factory frame bolts. The (6) bolts supporting the Front Bar and the (4) Brace Bracket bolts may now be tightened to complete installation.

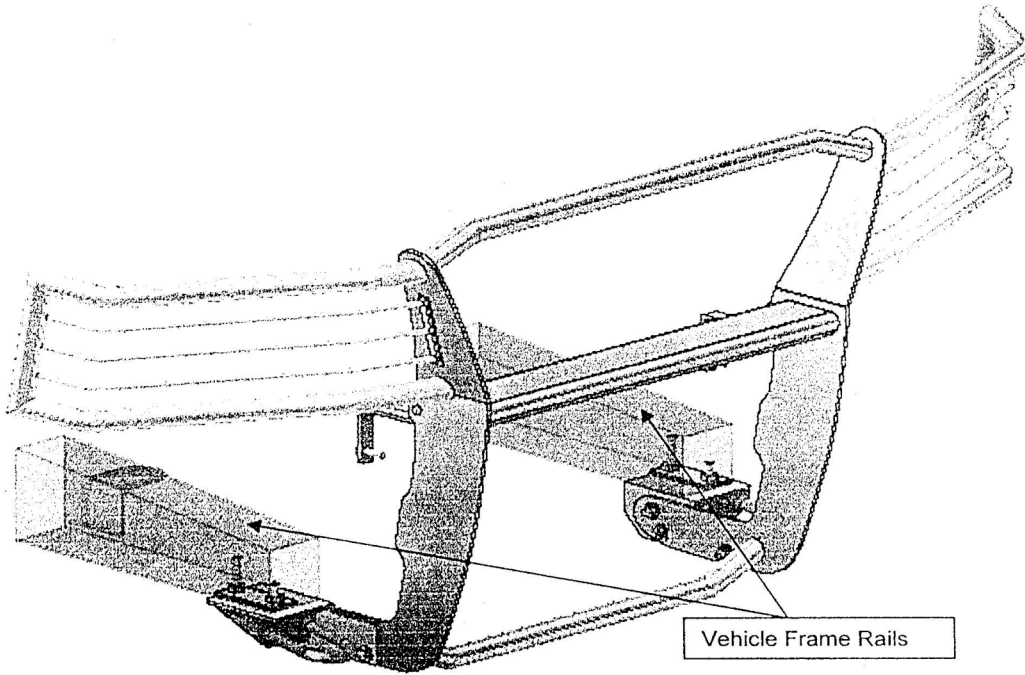


Figure 1.1 – Full Assembly View

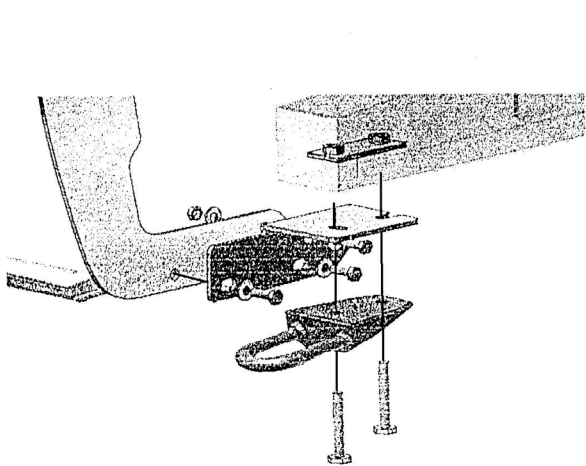


Figure 1.2 – Driver-Side Mount Bracket

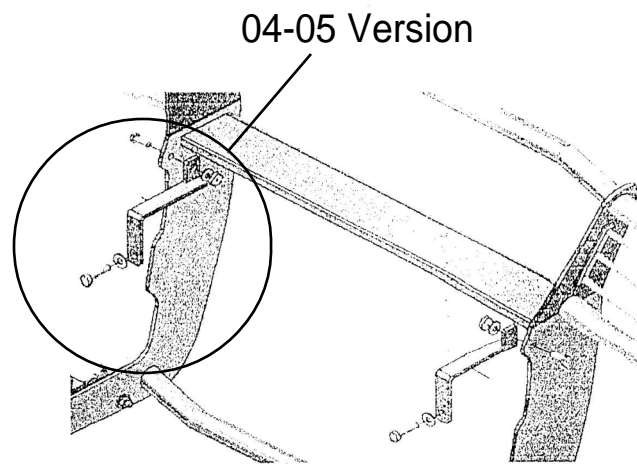
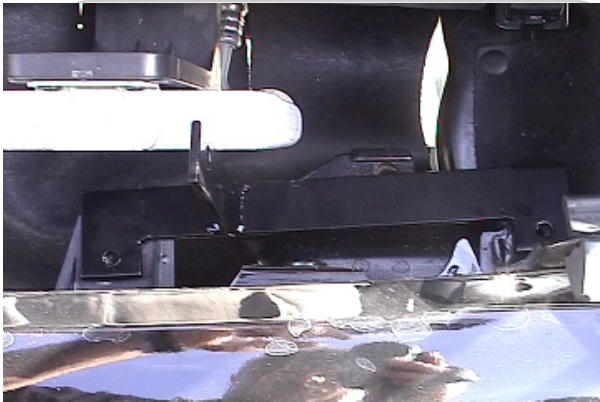
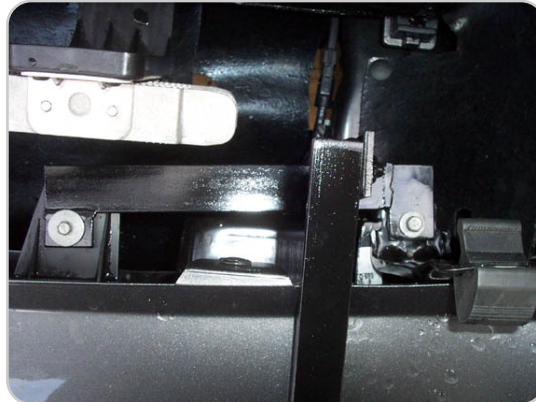


Figure 1.3 – Brace Brackets

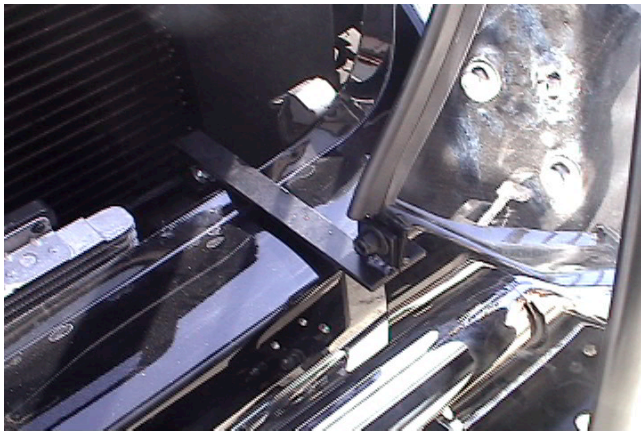
<b>Aries Offroad</b>	<b>Title</b>	Ford F150
	<b>Job #</b>	3056



Remove two factory nuts from behind bumper. one is M10 the other M8

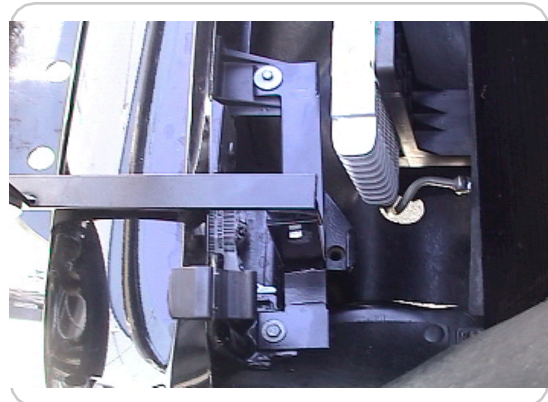


Place vertical support plate over holes and re install factory nuts. Leave loose until all parts are assembled



Connect support arm to vertical wing with M10x30 bolt, flat washer and lock nut.

Be sure to go back and tighten all hardware securely. Take caution no to scratch factory finish on bumper cover.



Place upper half of support over bumper over and attach to lower bracket

**Bracket kit includes:**

Lower bracket (2)

Upper Bracket Arm (2)

M 8 x 20 bolt (2)

M8 Lock nut (2)

M8 Flat washer (2)