



---

## **INSTALLATION INSTRUCTIONS**

GRILL/ BRUSH GAURD PART #**3046F/**  
**3046F-2** 1999-2002 FORD EXPEDITION 4WD  
1999-2003 FORD F-150 P/U & FLARESIDE 4WD

### **PARTS LIST**

- |                                  |                                   |
|----------------------------------|-----------------------------------|
| (1) FRONT BAR                    | (6) 1/2" HEX LOCK NUTS            |
| (2) FRAME MOUNT BRACKETS         | (2) 3/8" x 1" HEX HEAD BOLTS      |
| (2) SMALL BRACE BRACKETS         | (2) 3/8" FLAT WASHERS             |
| (2) LARGE BRACE BRACKETS         | (2) 3/8" HEX NUTS                 |
| (6) 1/2" x 1 1/4" HEX HEAD BOLTS | (2) 1/4" x 3/4" BUTTON HEAD BOLTS |
| (12) 1/2" FLAT WASHERS           | (2) 1/4" HEX NUTS                 |

### **PROCEDURE**

1. Remove tow hooks from front section of vehicle. Attach passenger-side Frame Mount Bracket to passenger-side frame rail as shown in Figure 1.2, followed by tow hook. Secure with factory bolts that were just removed and hand tighten. Repeat for driver-side Frame Mount Bracket.
2. Line up the 3 holes on the lower portion of the Front Bar with the 3 holes on the outside of each of the Frame Mount Brackets and attach using (3) 1/2" x 1 1/4" hex bolts, (6) 1/2" flat washers, and (3) 1/2" hex lock nuts for each side. Hand tighten.
3. Assemble the Large and Small Brace Brackets together as shown in Figure 1.3, using (1) 3/8" x 1" bolt, (1) 3/8" flat washer and (1) 3/8" nut, for each set. Hand tighten.
4. Locate and remove (2) factory bolts on the top back of bumper between bottom of grill and top of bumper. On Passenger side, attach Brace Bracket to vehicle frame (see Figure 1.3) re-using factory bolt. Using (1) 1/4" x 3/4" button head bolt and (1) 1/4" nut, attach Brace Bracket to backside of center plate on the Front Bar and hand tighten.
5. Repeat for driver-side Brace Bracket.
6. Align the left and right side of the Front Bar to the vehicle bumper, and when satisfied that the Bar is centered, tighten the (4) factory tow hook bolts. The (6) bolts supporting the Front Bar and the (4) Brace Bracket bolts may now be tightened, to complete installation.

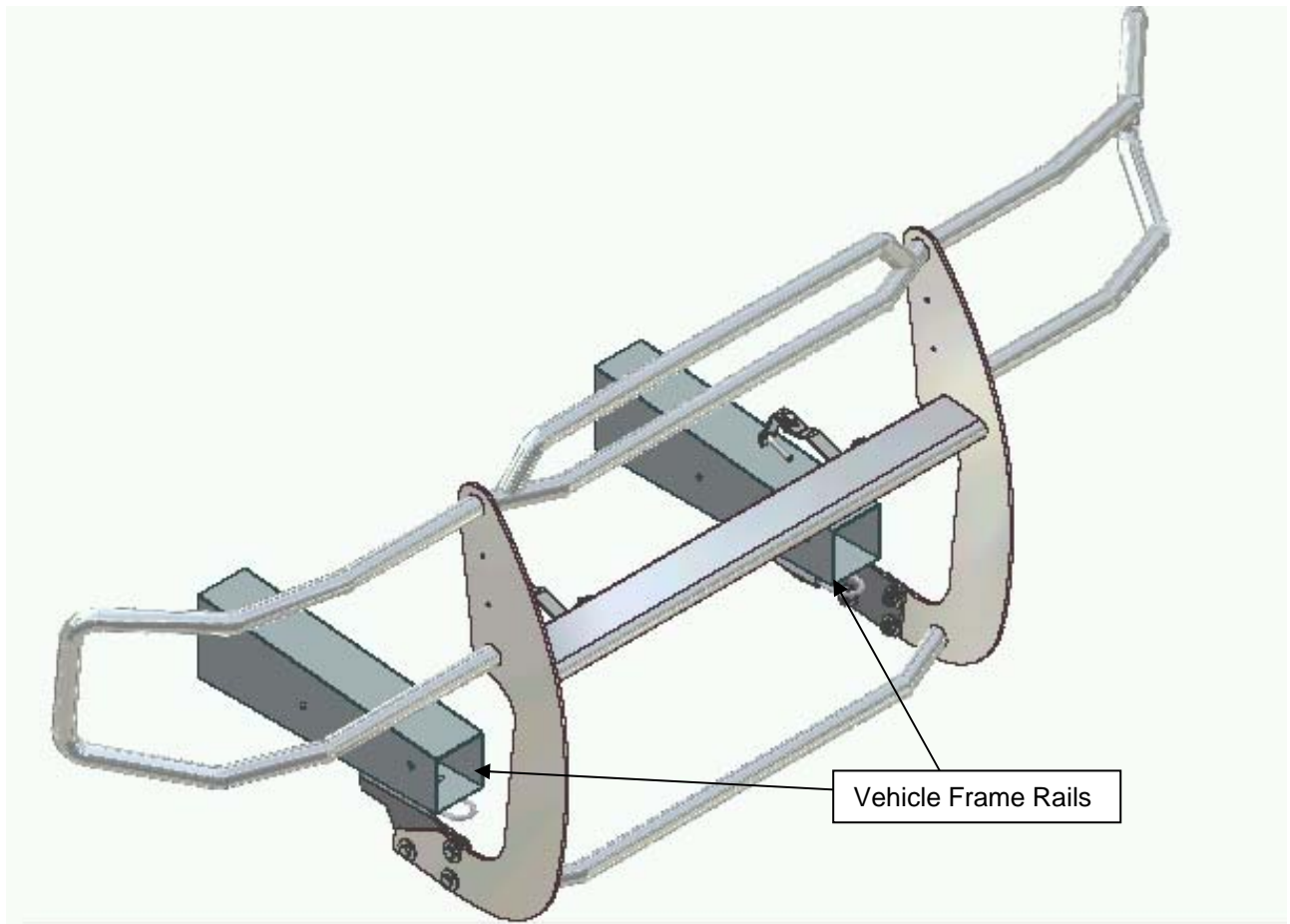
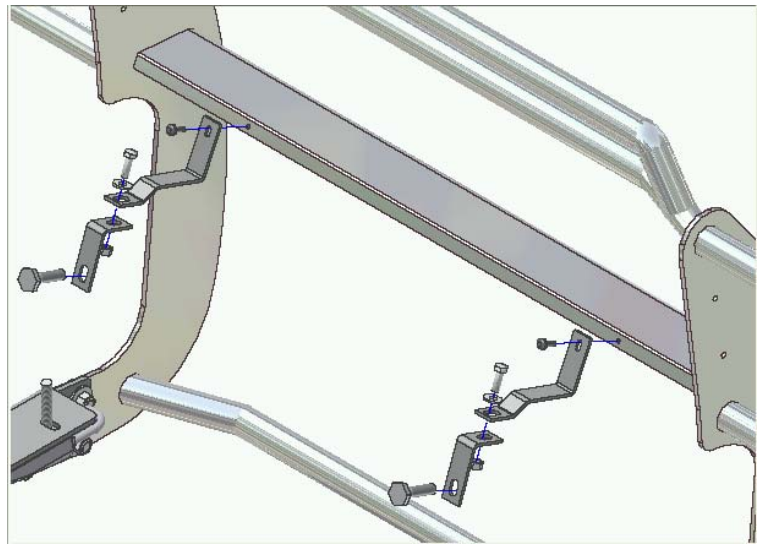


Figure 1.1 – Fully Assembled View



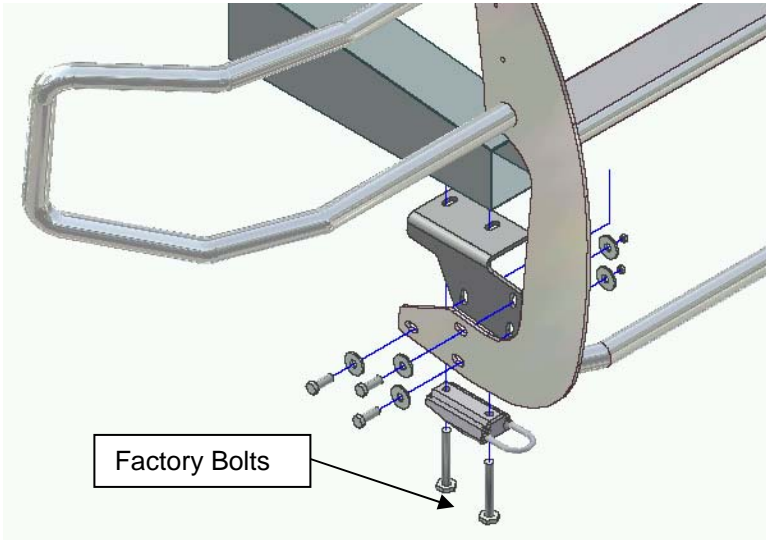


Figure 1.2 – Passenger-Side Mount Bracket  
Figure 1.3 – Brace Brackets