



INSTALLATION MANUAL

Parts List

1	Bull bar
2	Driver / left mounting bracket
2	Passenger / right mounting bracket
4	Hex bolt, M8
4	Flat washer, M8
4	Nylock nut, M8
2	Bolt plate, double, M10
2	Bolt plate, single, M10
4	Hex bolt, M10
14	Flat washer, M10
6	Lock washer, M10
6	Hex nut, M10
4	Nylock nut, M10
1*	LED wiring harness*

* Wiring harness only included with LED equipped models

Tools Required

Ratchet	Socket, 13mm
Wrench, 17mm	Socket, 16mm
Wrench, 18mm	Socket, 18mm
Level	Extension

Torque Specifications

METRIC		
	M6 bolt	3 ft.-lbs.
	M8 bolt	7 ft.-lbs.
	M10 bolt	16 ft.-lbs.
	M12 bolt	28 ft.-lbs.
SAE		
	1/4" bolt	3 ft.-lbs.
	5/16" bolt	7 ft.-lbs.
	3/8" bolt	16 ft.-lbs.
	7/16" bolt	20 ft.-lbs.
	1/2" bolt	28 ft.-lbs.

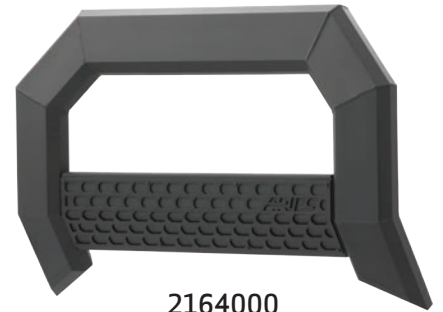
Level of Difficulty

Easy

Product Image



2154000



2164000



2154100



2164100

Notes and Maintenance

Before you begin installation, read all instructions thoroughly.

Proper tools will improve the quality of installation and reduce the time required.

For chrome powder coat, polish may be used to clear small scratches and scuffs on the finish. Mild soap may be used also to clean the product.

For black finishes, mild soap may be used to clean the product.

Refer to the table to the left when securing hardware during the installation process to help prevent damage to the product or vehicle.

Step 1A - Vehicles without tow hooks

For vehicles with tow hooks, skip to Step 2A.

Locate the two mounting points on the front end of the vehicle. Locate the driver-side mounting point.



Step 1B - Vehicles without tow hooks

Place the mounting bracket up to the vehicle. Insert the double bolt plate into the side with two holes.



Step 1C - Vehicles without tow hooks

Secure the double bolt plate using two M10 flat washers, two M10 lock washers and two M10 hex nuts.

Snug the hardware, but do not fully tighten.

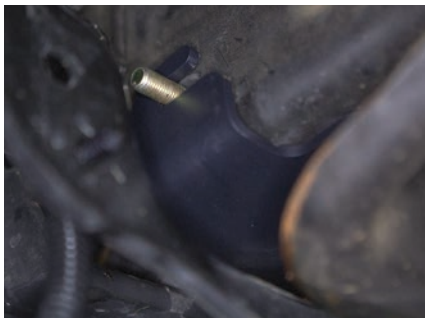


Step 1D - Vehicles without tow hooks

Insert a single bolt plate into the opposite side of the mounting point.

Secure the single bolt plate using a M10 flat washer, M10 lock washer and M10 hex nut. Snug the hardware, but do not fully tighten.

Repeat steps 1A through 1D to attach the passenger-side mounting bracket.



Step 2A - Vehicles with tow hooks

For vehicles without tow hooks, locate the driver-side factory tow hook on the front of the vehicle.



Step 2B - Vehicles with tow hooks

Loosen the front mounting bolt of the tow hook and remove the rear bolt.



Step 2C - Vehicles with tow hooks

Place the mounting bracket onto the vehicle and slide it over the front bolt on the tow hook. Replace the rear tow hook bolt. Snug the hardware, but do not fully tighten.

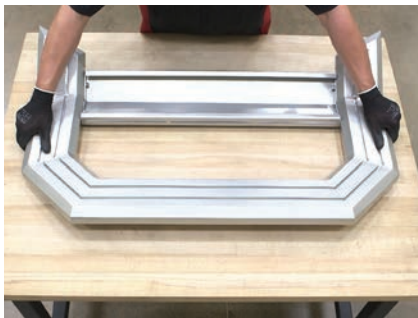


Repeat steps 2A through 2C to attach the passenger-side mounting bracket.

Step 3

To attach the bull bar mounting brackets, lay the bull bar on a flat surface.

Insert two M8 hex bolts in the inside rail slot.

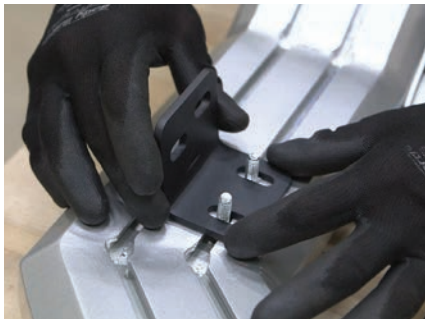


Step 4

Place the driver-side bracket over the bolts and secure the bracket to the bull bar using two M8 flat washers and two M8 nylock nuts.

Snug the hardware, but do not fully tighten.

Repeat this step for the passenger-side bracket.



Step 5

With help, lift the bull bar into place and align the mounting tabs on the outside of the mounting brackets.



Step 6

Insert a M10 hex bolt with flat washer on the outside of the bracket and a M10 flat washer and nylock nut on the inside.

Snug the hardware, but do not fully tighten. Repeat this process for all mounting locations.

Level and adjust the bull bar into the desired position and tighten all hardware.

Tighten all hardware to the recommended torque specifications listed in the table on the first page.

If your bull bar is not equipped with lights skip to step 9.

If your bull bar is equipped with lights complete steps 7 and 8.

Note: If the LED lights are being used with a 24V system, the 12V relay will need to be replaced with a 24V unit.



Step 7 - For Models with LED Lights Included

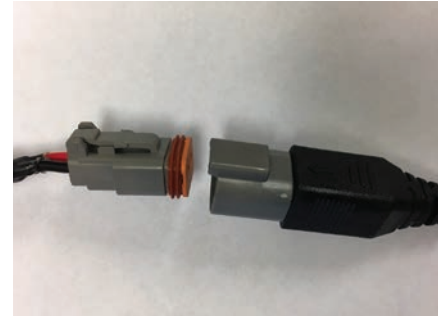
Disconnect the supplied switch from the wire harness and install in desired location.

With the switch installed, route the wire harness to the LED lights and the switch.

Reconnect the blue, red and black spade connectors to the switch as shown.

Note: The black wire connects to the gold switch terminal.

Plug the male connector on the wire harness into the female connector attached to the LED lights.



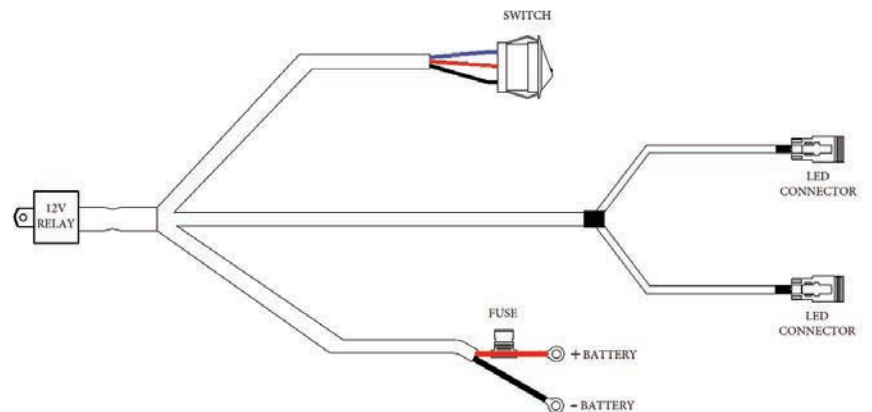
Step 8 - For Models with LED Lights Included

Connect the red fused wire with the ring terminal to the positive battery post.

Connect the black wire ring terminal to the negative battery post or other suitable vehicle grounding point.

Mount the supplied relay to the vehicle and secure all wires with zip ties away from moving parts to avoid damage.

Test the lights to ensure proper function.



Step 9

Congratulations on the installation of your new *ARIES AdvantEDGE™* bull bar.

With the bull bar installed, periodic inspections should be performed to ensure all mounting hardware remains tight.

To protect your investment, see the 'Notes and Maintenance' section on the first page of this instruction manual.

