



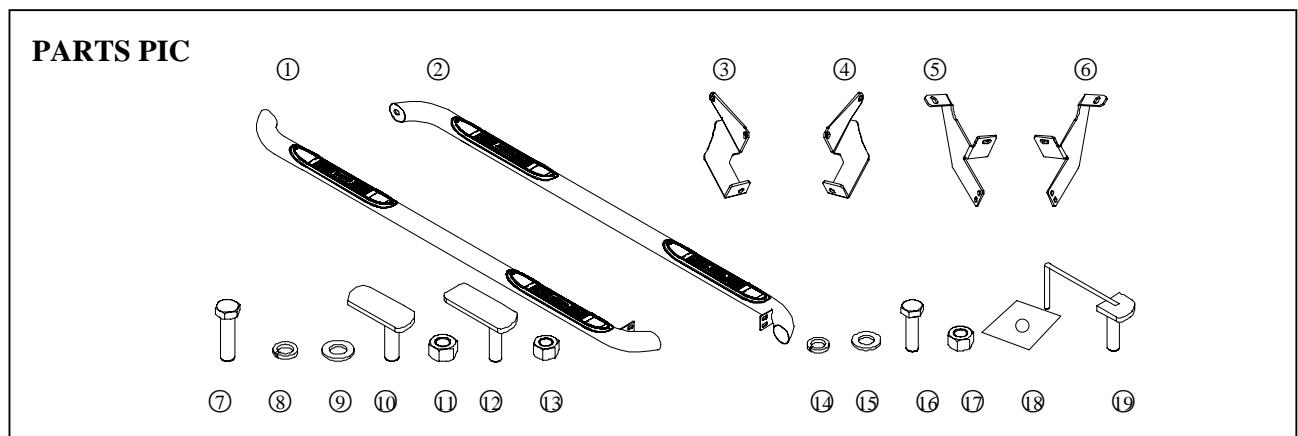
Installation Instructions

2007-10 Hyundai Santa Fe
Part # 207003 / 207003-2



Step One: Locate Hardware kit. Check contents with hardware listed below.

NO.	NAME	QTY	REMARKS	NO.	NAME	QTY	REMARKS
①	SIDE BAR (LEFT)	1		⑩	HEX NUT	4	M12
②	SIDE BAR (RIGHT)	1		⑪	T-BOLT C	2	M10×35
③	FRONT BRACKET (LEFT)	1		⑫	HEX NUT	4	M10
④	FRONT BRACKET (RIGHT)	1		⑬	SPRING WASHER	8	10mm
⑤	REAR BRACKET (LEFT)	1		⑭	FLAT WASHER	12	10mm
⑥	REAR BRACKET (RIGHT)	1		⑮	HEX BOLT	4	M10×30
⑦	HEX BOLT	2	M12×35	⑯	HEX NUT	4	M10
⑧	FLAT WASHER	6	12mm	⑰	PLASTIC PIECE	4	M12
⑨	SPRING WASHER	6	12mm	⑱	T-BOLT B	2	M10×35
⑩	T-BOLT A	4	M12×35				



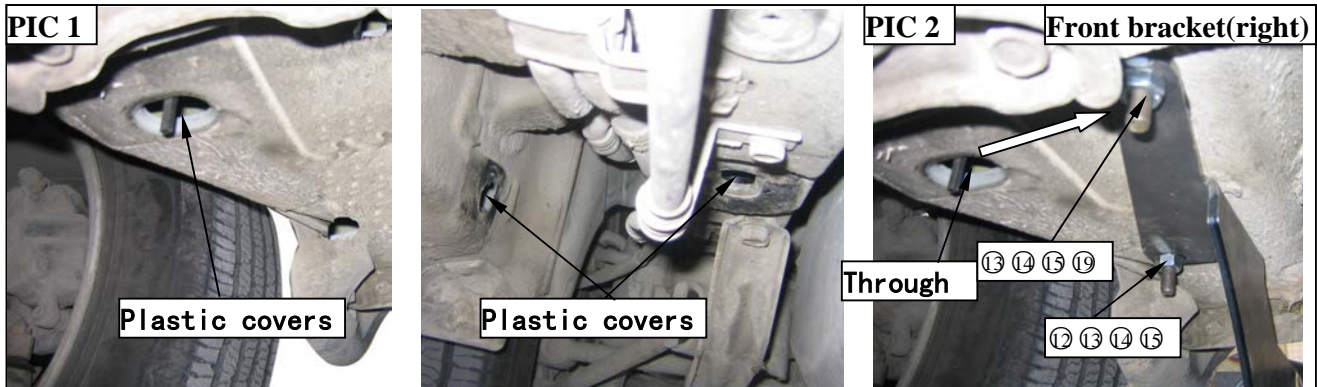
Step Two: Remove the front body mount plastic covers(pic 1).

Step Three: Place the front bolt B plate through the body as shown in pic 2. Attach front support bracket as shown in pic 2.

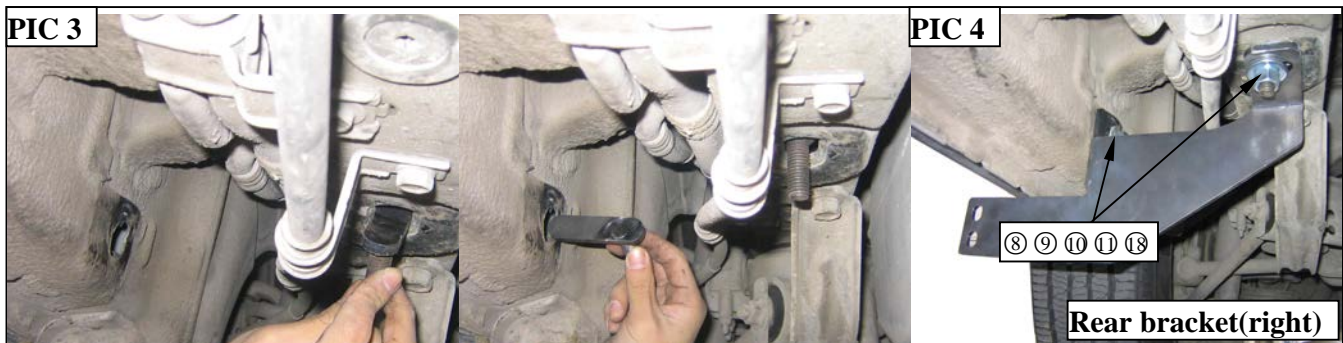


Installation Instructions

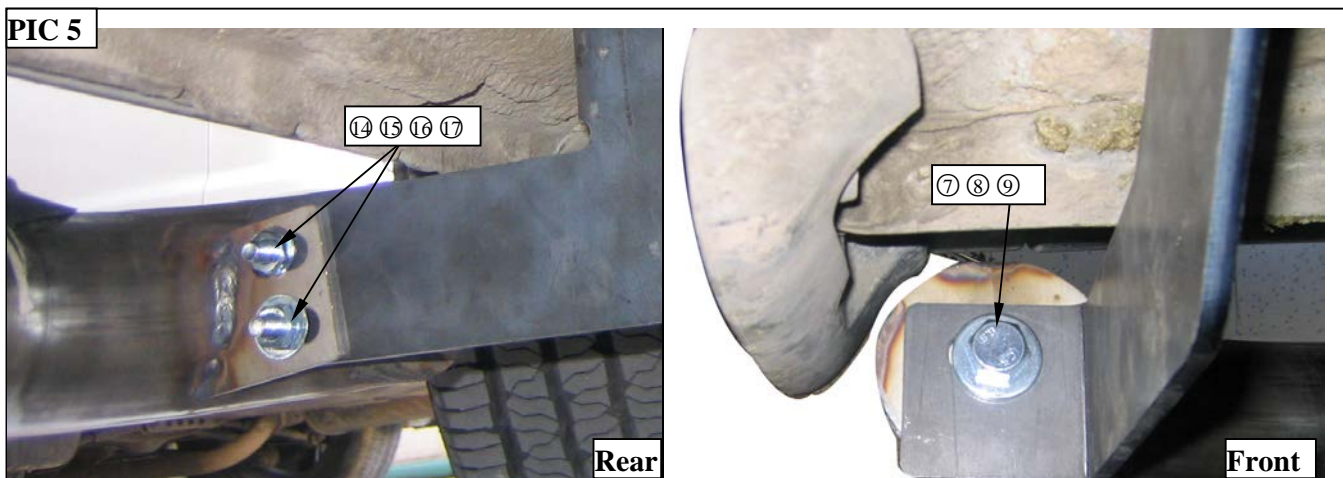
2007-10 Hyundai Santa Fe
Part # 207003 / 207003-2



Step Four: Place the rear bolt plate through the body as shown in pic 3. Attach rear support bracket as shown in pic 4 .



Step Five: Loosely attach the side bars to the brackets(pic 5).



Step Six: After checking to make sure the side bars are level and parallel with the sides of the vehicle completely tighten all hardware.

Step Seven: Repeat steps three, four , five ,six and seven on opposite side.

Step Eight: Periodically check and retighten the hardware as necessary.