

# INSTALLATION INSTRUCTIONS

## 2007-12 DODGE NITRO

### PART # 205015 / 205015-2

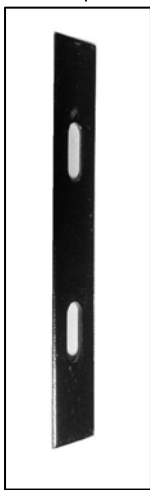
**PARTS LIST:**

Qty	Description	Qty	Description
1	Driver/Left Side Bar	4	10mm x 25mm Bolt plates
1	Passenger/Right Side Bar	8	10mm x 25mm Hex Bolt
1	Driver/Left Front Mounting Bracket	12	10mm Flat Washer
1	Passenger/Right Front Mounting Bracket	4	10mm Lock Nut
1	Driver/Left Rear Mounting Bracket	8	8mm x 30mm Hex Bolt
1	Passenger/ Rear Mounting Brace Bracket	8	8mm Flat Washer
4	Washer Plates	8	8mm Lock Nut

**Driver Front Mounting Bracket**



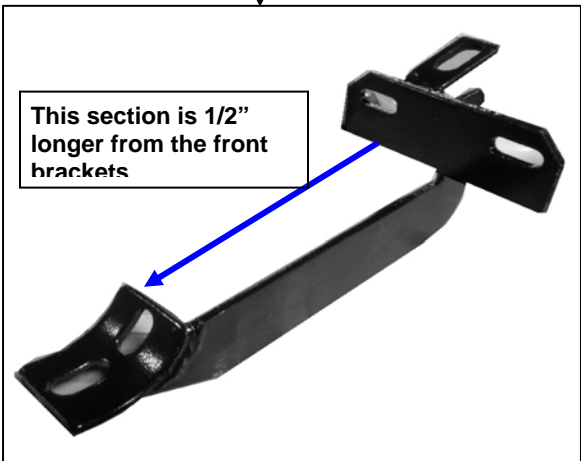
**Washer Plates**



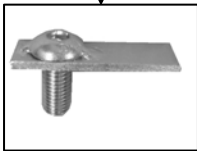
**Passenger Front Mounting Bracket**



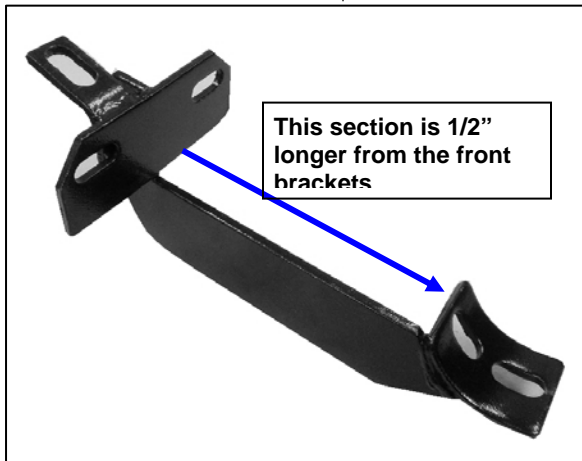
**Driver Rear Mounting Bracket longer than front brackets x 1/2"**



**10mm x 25mm Bolt plate**



**Passenger Rear Mounting Bracket longer than front brackets x 1/2"**



## PROCEDURE:

- 1. REMOVE CONTENTS FROM BOX. VERIFY ALL PARTS ARE PRESENT. READ INSTRUCTIONS CAREFULLY BEFORE STARTING INSTALLATION.**
2. Starting with the Passenger/right side-rear of the vehicle, locate the rectangle hole in the rocker panel as seen in **(Fig 1)** Insert the bolt plate into the hole so that the threads of the bolt drop through the round holes as seen in **(Fig 2)** select the passenger side rear mounting bracket and secure it to the bolt plate with (1) 10mm flat washer & (1) 10mm lock nut Snug but do not tighten hardware at this time.
3. Next select the washer plate and place it on the outside of the rocker panel lip secure the mount bracket to the inner rocker panel lip with the (2) 8mm Hex bolts, (2) flat washers and (2) 8mm hex nuts as seen in **(Fig 3)** Snug but do not tighten hardware at this time.
4. Select the Passenger side front mounting brackets, locate the rectangle hole in the rocker panel as done in **(Fig 1)** Insert the bolt plate into the hole so that the threads of the bolt drop through the round holes select the passenger side rear mounting bracket and secure it to the bolt plate with (1) 10mm flat washer & (1) 10mm lock nut select the washer plate and place it on the outside of the rocker panel lip secure the mount bracket to the inner rocker panel lip with the (2) 8mm Hex bolts, (2) flat washers and (2) 8mm hex nuts **(Fig 4)** shows bracket installed Snug but do not tighten hardware at this time.
5. Install Sidebar to the front mounting brackets with (2) 10mm hex bolts, (2) 10mm lock washers and (2) 10mm flat washers, Snug but do not tighten hardware at this time.
6. Level and align Sidebar properly; then tighten all hardware at this time.
7. Repeat steps 2-6 for Driver Sidebar.
8. Do periodic inspections to the installation to make sure all hardware is secure and tight.

**To protect your investment**, wax this product after installing. Regular waxing is recommended to add a protective layer over the finish. Do not use any type of polish or wax that may contain abrasives that could damage the finish.

**For stainless steel:** Aluminum polish may be used to polish small scratches and scuffs on the finish. Mild soap may be used also to clean the Product.

**For gloss black finishes:** Mild soap may be used to clean the Product.

Passenger Side Shown

