



2042 TOYOTA
96-98 4RUNNER/96-99 TACOMA
INSTALLATION

PARTS LIST

1 – Front Aries Bar	6 – 7/16" x 1-1/4" Hex bolts
2 – Frame brackets	6 – 7/16" Hex nuts
12 – 7/16" Flat washers	

INSTALLATION OF BOTTOM FRAME BRACKET

Remove tow hooks from front of vehicle.

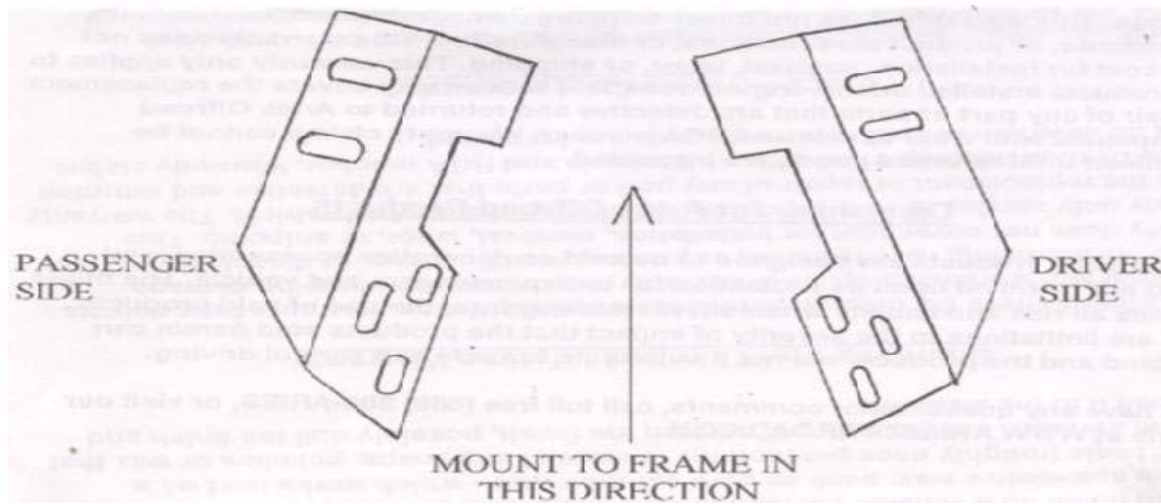
Using the bolts that held the tow hooks in place (two bolts per hook) attach the mounting bracket as per the diagram below. Do not fasten bolts too tightly to allow you to adjust the alignment.

INSTALLATION OF FRONT BAR

Line up the three holes on the lower portion of the front bar with the three holes on the frame mounting brackets (outer edge). Using the 7/16" Hex bolts, nuts and washers, fasten the front bar to the mounting brackets, leaving loose for adjustment.

Once the front bar is attached to the mounting brackets, align until satisfied with fit and balance, and tighten all fasteners.

NOTE: It is advisable to re-check all fasteners for tightness after one week.



FINISH PROTECTION- ARIES PRODUCTS HAVE A HIGH FINISH THAT MUST BE MAINTAINED SUCH AS ANY OTHER HIGH FINISH PRODUCT ON THE VEHICLE. PROTECT THE FINISH WITH A NON-ABRASIVE AUTOMOTIVE WAX. THE USE OF SOAP, POLISH, OR WAX THAT CONTAINS ABRASIVES IS DETRIMENTAL, AS THE COMPOUNDS SCRATCH THE FINISH AND OPEN IT TO CORROSION.

DISCLAIMER- BUYER ASSUMES ALL RISK AND LIABILITY WHATSOEVER FROM THE INSTALLATION AND USE OF ARIES PRODUCTS. ARIES PRODUCTS ARE SOLD AS DECORATIVE ACCESSORIES AND SHOULD NOT BE RELIED UPON AS PROTECTION FOR THE VEHICLE OR OCCUPANTS IN THE EVENT OF A COLLISION OR ROLL OVER. ARIES AUTOMOTIVE ASSUMES NO LIABILITY FOR INJURY, LOSS, INCIDENTAL OR CONSEQUENTIAL DAMAGES IN THE EVENT OF A COLLISION OR ROLLOVER.