



INSTALLATION INSTRUCTIONS

SIDE BAR PART #204001/204001-2

1988 - 1998 GMC/CHEVY PICKUPS 3-DOOR CAB 2/4WD

PARTS LIST

(2) SIDE TUBES WITH STEPS	(8) ½" FLAT WASHERS
(2) FRONT MOUNT BRACKETS	(8) ½" SPLIT LOCK WASHERS
(2) REAR MOUNT BRACKETS	(4) 3/8" x 1" HEX HEAD BOLTS
(2) MOUNT BRACES	(8) 3/8" FLAT WASHERS
(4) M12 – 1.75 x 120mm HEX HEAD BOLTS	(4) 3/8" HEX LOCK NUTS
(4) ½" x 2" HEX HEAD BOLTS	

PROCEDURE

1. Begin installation by working on driver side of the vehicle (see Figures 1.1 – 1.3).
2. From underneath truck, loosen and remove body mount bolts that run upward through mounts into floorboard. Attach and secure Front Mount Bracket to underside of vehicles front body mount (see Figure 1.2) with (1) M12 – 1.75 x 120mm bolt, (1) ½" split lock washer, and (1) ½" flat washer. Hand Tighten.
3. Attach and secure Rear Mount Bracket to underside of vehicles rear body mount in same manner as the front.
4. Fasten Mount Brace to Rear Mount Bracket and vehicles rear body mount using (1) 3/8" x 1" bolt, (2) 3/8" flat washers, and (1) 3/8" lock nut, for each side of Mount Brace (see Figure 1.3). Hand tighten.
5. Attach Side Tube to Front and Rear Brackets using (1) ½" x 2" bolt, (1) ½" lock washer, and (1) ½" flat washer for each bracket, and hand tighten. Adjust Side Tube so that it is level and centered, and tighten all bolts to complete the driver-side assembly.
6. Repeat process for passenger side of vehicle to complete installation.

FINISH PROTECTION- ARIES PRODUCTS HAVE A HIGH FINISH THAT MUST BE MAINTAINED SUCH AS ANY OTHER HIGH FINISH PRODUCT ON THE VEHICLE. PROTECT THE FINISH WITH A NON-ABRASIVE AUTOMOTIVE WAX. THE USE OF SOAP, POLISH, OR WAX THAT CONTAINS ABRASIVES IS DETRIMENTAL, AS THE COMPOUNDS SCRATCH THE FINISH AND OPEN IT TO CORROSION.

DISCLAIMER- BUYER ASSUMES ALL RISK AND LIABILITY WHATSOEVER FROM THE INSTALLATION AND USE OF ARIES PRODUCTS. ARIES PRODUCTS ARE SOLD AS DECORATIVE ACCESSORIES AND SHOULD NOT BE RELIED UPON AS PROTECTION FOR THE VEHICLE OR OCCUPANTS IN THE EVENT OF A COLLISION OR ROLL OVER. ARIES AUTOMOTIVE ASSUMES NO LIABILITY FOR INJURY, LOSS, INCIDENTAL OR CONSEQUENTIAL DAMAGES IN THE EVENT OF A COLLISION OR ROLLOVER

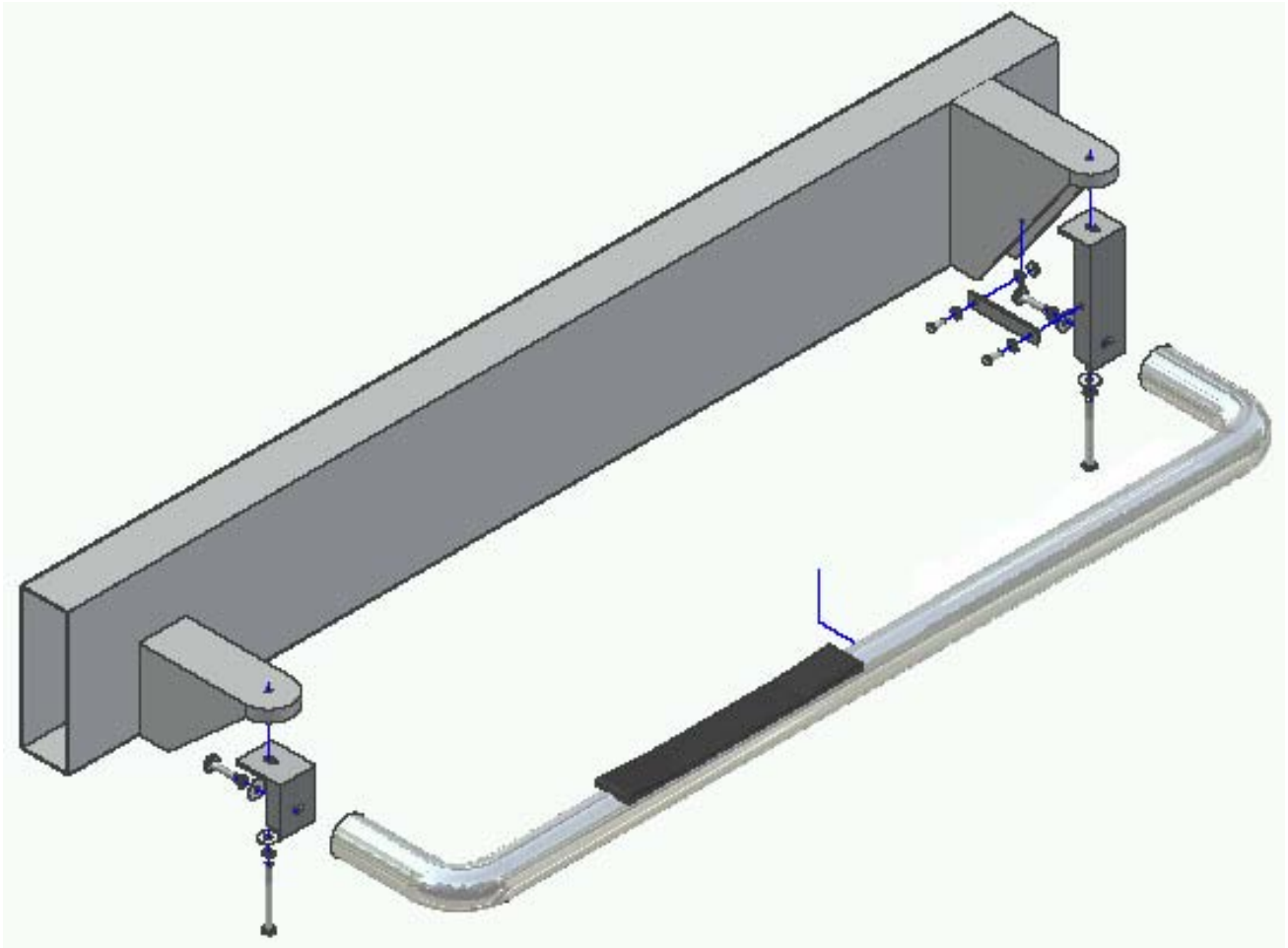


Figure 1.1 – Full Assembly View

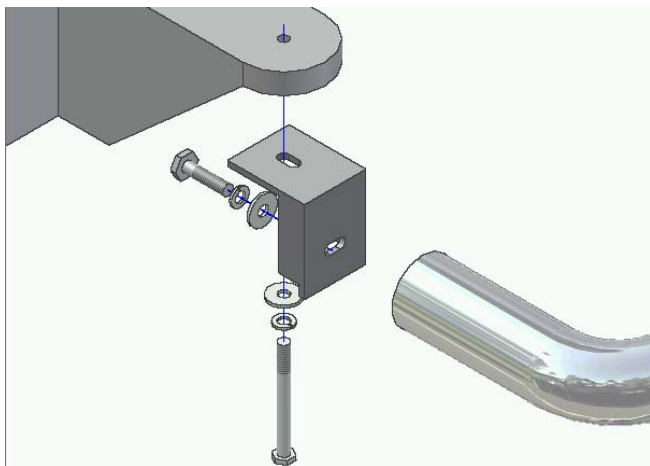


Figure 1.2 – Front Bracket

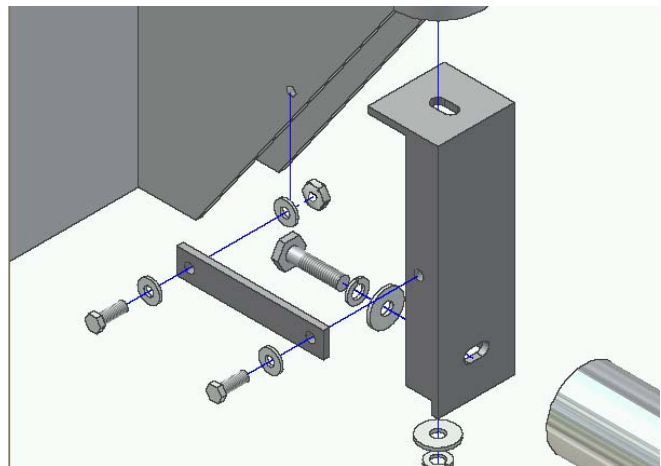


Figure 1.3 – Rear Bracket