

INSTALLATION INSTRUCTIONS

203036

Ford Explorer 4 DR. Mercury Mountaineer 99-01

Parts List:

QTY

- (1) Sidebar Set
- (2) Front bracket set
(driver & passenger)
- (2) Front bracket complement
(driver & passenger)
- (2) Rear bracket set
(driver & passenger)

(1) Hardware kit including:

- (4) 1/2 x 2" hex head bolts
- (2) 1/2 x 7" hex head bolts
- (8) 1/2" flat washers
- (8) 1/2" lock washers

Tools Required:

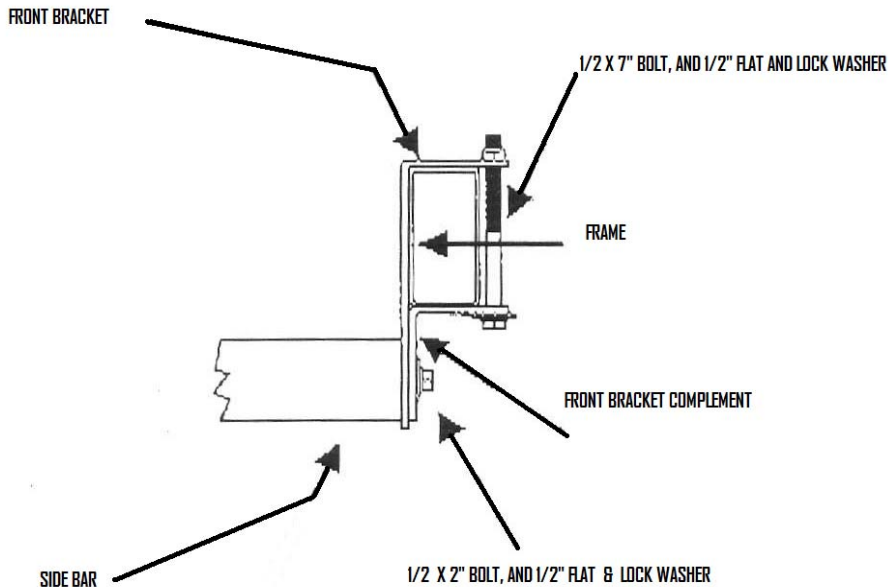
- | | |
|--------------------|-----------|
| 3/4" & 7/8" Socket | Extension |
| 3/4" & 15mm Wrench | Ratchet |

Instructions:

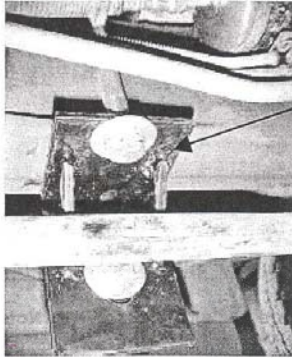
Approximated Installation time: 30 min

1. Read and understand instructions completely before beginning installation.
2. The sidebar set consists in a driver and passenger side. Be sure to determine the correct side before installation. NOTE: the nearest path to the bent, it is in the rear part of the vehicle.
3. Install a front bracket in the above part of the frame with the bent to the motor. Picture 1. Then insert the corresponding front bracket complement in the below face of the frame. Fix all as a press using (1) 1/2 x 7" hex head bolt, (1) 1/2" flat washer, and (1) 1/2" lock washer, per each side. Look at Illustration A, Picture 2. Leave loose.
4. Install a rear bracket up to the sidebar, before fixing it to the frame, using (1) 1/2 x 2" hex head bolt, (1) 1/2" flat washer, (1) 1/2" lock washer, per each side. Leave loose.
5. Locate and just loosen (do not take off) the axial bolt that supports the suspension, and the one that it is located in the inside part 1/2" approximated. Picture 3.
6. Slide the bracket on the bolts located in the inside and outside part of the frame. NOTE: These bolts have to be loose in order to insert the bracket with the sidebar already installed on it, (rear part). Picture 4. Leave loose.
7. Install the sidebar up to the front bracket using (1) 1/2 x 2" hex head bolt, (1) 1/2" flat washer, and (1) 1/2" lock washer. Look at Illustration A, Picture 5. Leave loose.
8. Make any final adjustments to the alignment of the sidebar and tighten all bolts. Repeat for the opposite side.
9. You may need to periodically re-tighten the bolts.

ILLUSTRATION A

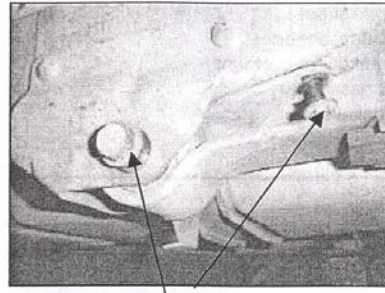


Picture 2



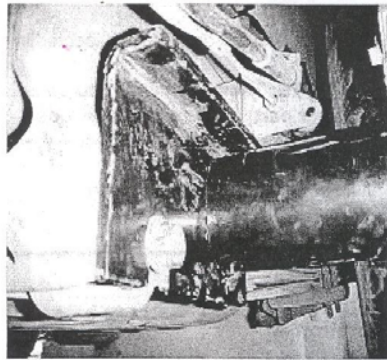
Front bracket complement, driver side, frame interior view.

Foto 3



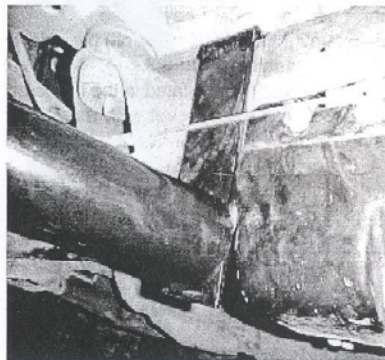
Important: Just untighten a little these bolts in order to fix the rear bracket, driver side.

Picture 4



Rear bracket installed, driver side.

Picture 5



Front bracket installed, driver side.

Picture 6

