



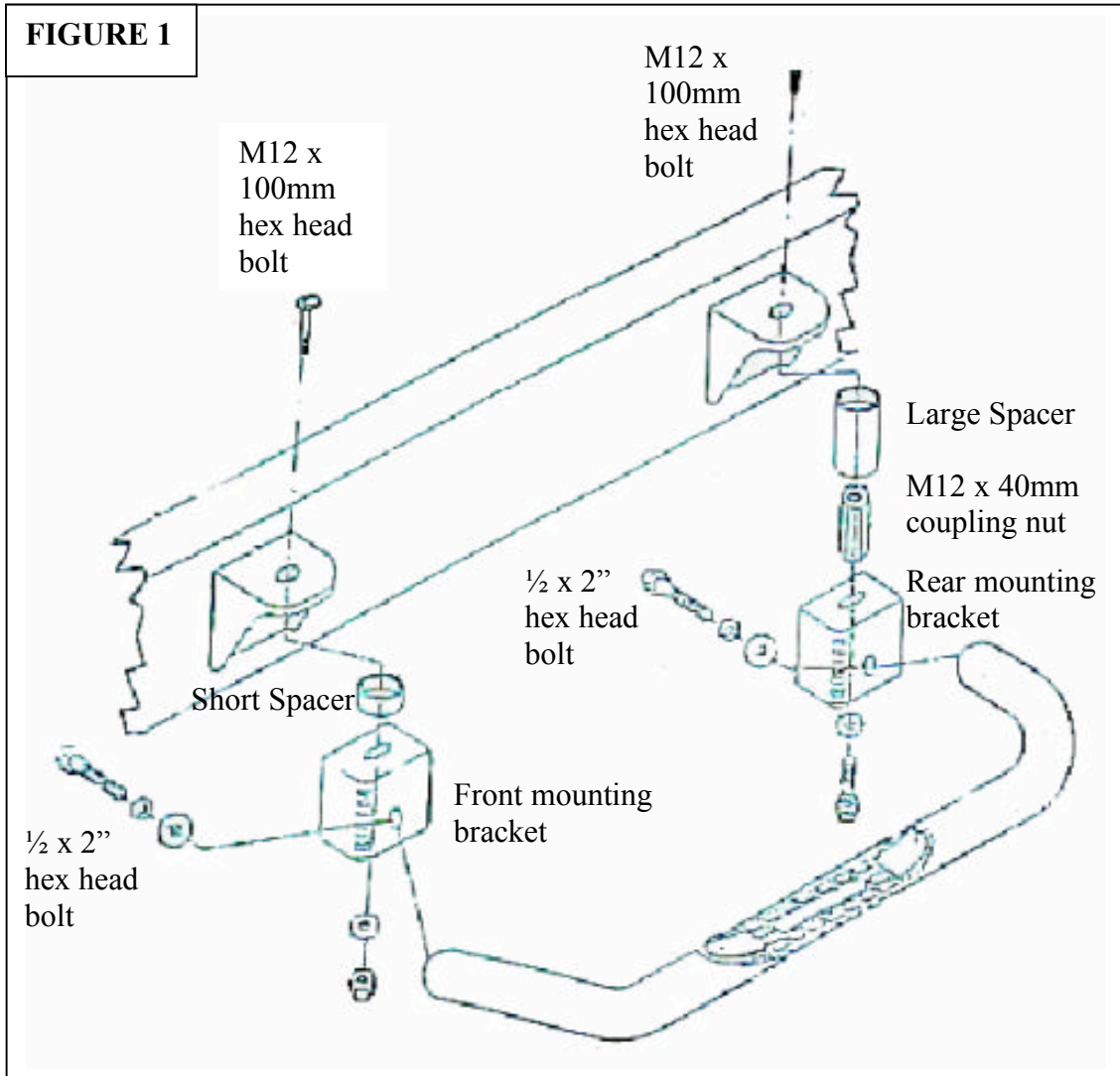
INSTALLATION INSTRUCTIONS

1982-97 FORD RANGER SUPER CAB / 1982-97 MAZDA SUPER CAB
PART # 203003 / 203003-2

ITEM	QTY	CONTENTS	TOOLS
1	1	Sidebar Set (Driver & Passenger) Mounting Brackets	$\frac{3}{4}$ " Socket
2	4	Short Spacers	18mm Socket
3	2	Large Spacers	19mm Socket
4	2	$\frac{1}{2}$ x 2" hex head bolt	Ratchet
5	4	M12 x 100 mm hex head bolt	
6	4	M12 x 50mm hex head bolt	
7	2	$\frac{1}{2}$ " Flat washer	
8	6	$\frac{1}{2}$ " Lock washer	
9	4	$\frac{1}{2}$ " External tooth washer	
10	4	M12 x 40mm coupling nut	
11	2	M12 hex nut	
12	2		

- STEP 1:** Read and understand instructions completely before beginning installation.
- STEP 2:** Sidebar set consists of a driver and passenger sidebar. Be sure to determine the correct side before installation.
- STEP 3:** Replace the factory bolts mounts with the M12 x 100mm hex head bolt.
- STEP 4:** Place a short spacer between the front mounting bracket and the frame. Secure front mounting bracket to the M12 bolt using a $\frac{1}{2}$ " external tooth washer and M12 hex nut. Leave loose.
- STEP 5:** To install rear mounting bracket, place a large spacer between the rear mounting bracket and the frame. Secure rear mounting bracket to the M12 bolt using M12 x 40mm coupling nut, M12 x 50mm hex head bolt and $\frac{1}{2}$ " flat & external tooth washer. Leave loose.
- STEP 6:** Place the sidebar up to the mounting brackets and bolt to the mounting brackets using the $\frac{1}{2}$ " x 2" hex head bolt, flat and lock washer. Leave loose.

- STEP 7: Make any final adjustments to the alignment of the sidebar and tighten all bolts. Repeat for the opposite side.
- STEP 8: You may need to periodically re-tighten the bolts.



FINISH PROTECTION- ARIES PRODUCTS HAVE A HIGH FINISH THAT MUST BE MAINTAINED SUCH AS ANY OTHER HIGH FINISH PRODUCT ON THE VEHICLE. PROTECT THE FINISH WITH A NON-ABRASIVE AUTOMOTIVE WAX. THE USE OF SOAP, POLISH, OR WAX THAT CONTAINS ABRASIVES IS DETRIMENTAL, AS THE COMPOUNDS SCRATCH THE FINISH AND OPEN IT TO CORROSION.

DISCLAIMER- BUYER ASSUMES ALL RISK AND LIABILITY WHATSOEVER FROM THE INSTALLATION AND USE OF ARIES PRODUCTS. ARIES PRODUCTS ARE SOLD AS DECORATIVE ACCESSORIES AND SHOULD NOT BE RELIED UPON AS PROTECTION FOR THE VEHICLE OR OCCUPANTS IN THE EVENT OF A COLLISION OR ROLL OVER. ARIES AUTOMOTIVE ASSUMES NO LIABILITY FOR INJURY, LOSS, INCIDENTAL OR CONSEQUENTIAL DAMAGES IN THE EVENT OF A COLLISION OR ROLLOVER.