

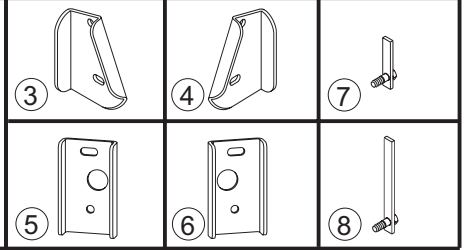
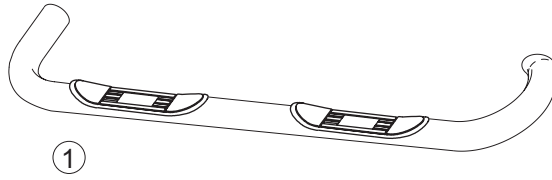


INSTRUCTIONS

APPLICATION: 1999-06 TOYOTA TUNDRA EXTENDED CAB
2004-06 TOYOTA TUNDRA DOUBLE CAB

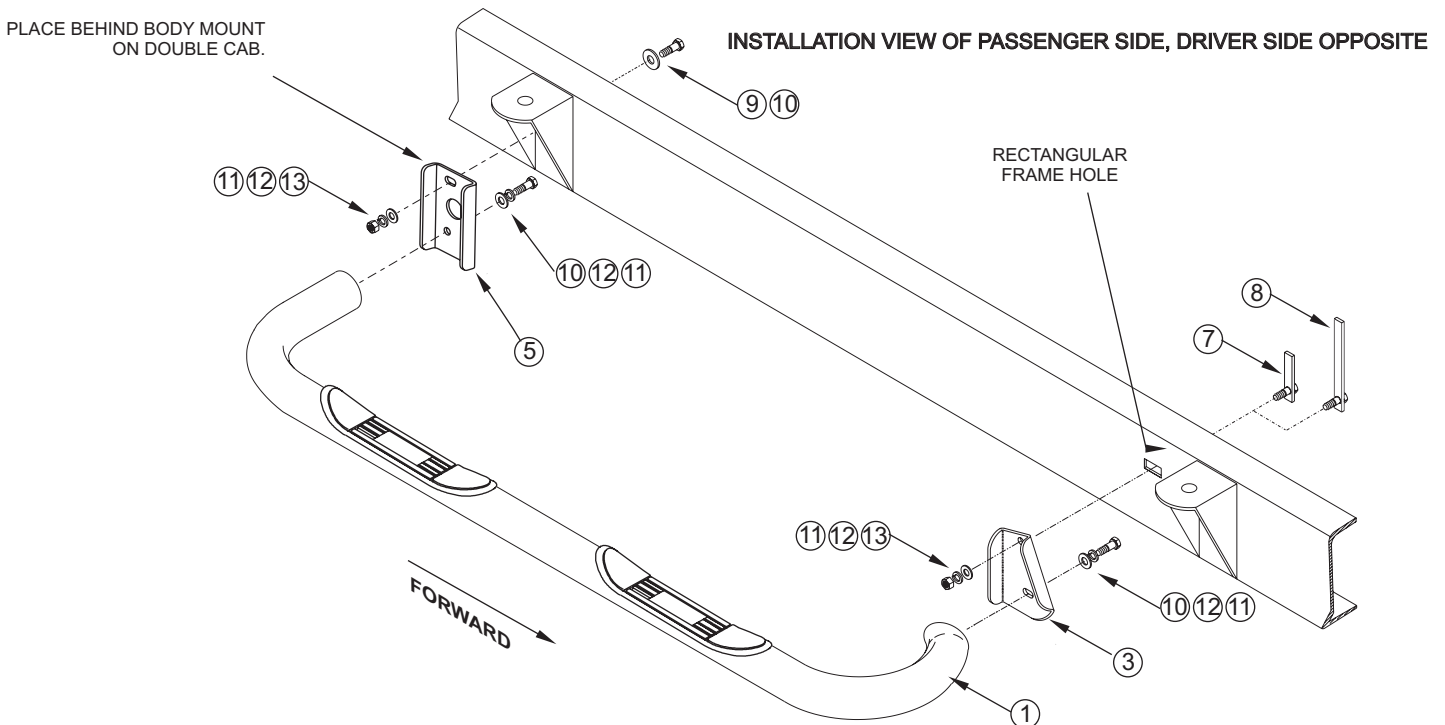
STEP BAR ASSEMBLIES

202006-2



ITEM	QTY	CONTENTS -	TOOLS -
1,2	2	STEP BAR, PASSENGER (1) AND DRIVER (2)	3/4" SOCKET 3/4" WRENCH 6" EXTENSION RATCHET TORQUE WRENCH
3,4	2	FRONT BRACKET, PASSENGER (3) AND DRIVER (4)	
5,6	2	REAR BRACKET, PASSENGER (5) AND DRIVER (6)	
7	1	FRONT MOUNT TAB ASSEMBLY, PASSENGER	
8	1	FRONT MOUNT TAB ASSEMBLY, DRIVER	
9	2	SPACER WASHER	
10	6	1/2-13 X 1.75" HEX HEAD BOLT	
11	8	1/2" FLAT WASHER	
12	8	1/2" LOCK WASHER	
13	4	1/2-13 HEX NUT	

- STEP 1. Remove the contents from box and check for damage. Verify all parts are present. Read instructions completely before beginning.
- STEP 2. Locate the rectangular holes in frame towards the front of the vehicle. Insert front mount tab assemblies into the hole from the inside of frame. Attach front brackets as shown. Hand tighten.
- STEP 3. Attach rear brackets as shown. Hand tighten. **NOTE:** Place the spacer washer under the head of the hex head bolt and insert through frame from the inside of frame.
- STEP 4. Attach step bars as shown. Hand tighten.
- STEP 5. Make sure step bar and brackets are properly aligned with vehicle and tighten fasteners. Recommended torque value is 64 Ft. Lbs. for 1/2" fasteners.



FINISH PROTECTION

Aries products have a high quality finish that must be cared for like any other exposed finish on the vehicle. Protect the finish with a non-abrasive automotive wax, (e.g. Pure Carnauba) on a regular basis. The use of any soap, polish or wax that contains an abrasive is detrimental, as the compounds scratch the finish and open it to corrosion.