



INSTALLATION INSTRUCTIONS
2000-06 TUNDRA EXT CAB
PART # 202003 / 202003-2

PARTS LIST

<u>ITEM</u>	<u>DESCRIPTION</u>	<u>QUANTITY</u>
1.	½" X 6" HEX BOLTS	2
2.	½" X 2" HEX BOLTS	6
3.	½" HEX NUTS	4
4.	½" LOCK WASHERS	8
5.	½" FLAT WASHERS	12
6.	½" FRONT MOUNTING PLATES	2
7.	¼" REAR MOUNTING PLATES	2
8.	½" X 1-1/2"3/16" SPACER/BACKING PLATES	4

INSTALLATION INSTRUCTIONS

STEP 1

Remove the contents from the box and check for any damage. Verify all parts against the parts list.

STEP 2

Read and understand instructions completely before beginning installation.

STEP 3

Attach one ½" front mounting plate and one ¼" rear mounting plate to tube end and secure plate with ½" x 2" bolt, lockwasher and flatwasher. Hand-tighten only. **See illustration below.**

STEP 4

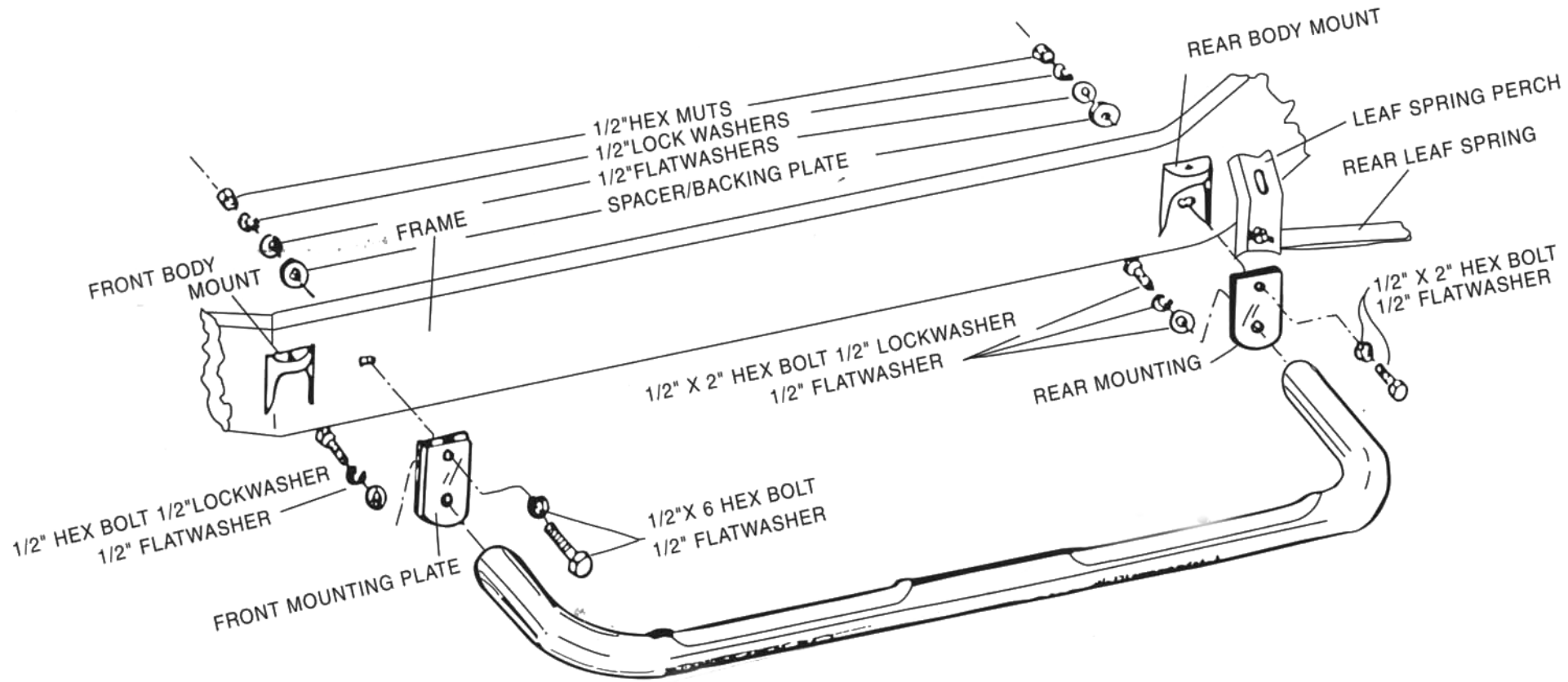
Raise side bar assembly with mounting plates attached as shown, up against frame, then align hole at top of rear mounting plate up with existing slotted hole in frame located in center of rear body mount. Secure rear mounting plate / bar assembly to frame as shown using ½" x 2" bolt and flatwasher on OUTSIDE of frame through plate and frame and place spacer/backing plate, ½" flatwasher, lockwasher and nut on inside of frame. Hand-tighten only.

STEP 5

Lift front bar assembly with plate attached up until hole in front mounting plate aligns with existing slotted hole going all the way through frame. Secure front plate using ½" x 6" bolt and ½" flatwasher on outside of frame and spacer/ backing plate ½" flatwasher, lockwasher and nut on inside of frame. Hand-tighten only. Tighten bolts that attach plates to tube ends completely. With helper's assistance, check bar for alignment, then tighten bolts securing the bar to frame completely. Repeat steps 1 through 3 on opposite sides.

FINISH PROTECTION- ARIES PRODUCTS HAVE A HIGH FINISH THAT MUST BE MAINTAINED SUCH AS ANY OTHER HIGH FINISH PRODUCT ON THE VEHICLE. PROTECT THE FINISH WITH A NON-ABRASIVE AUTOMOTIVE WAX. THE USE OF SOAP, POLISH, OR WAX THAT CONTAINS ABRASIVES IS DETRIMENTAL, AS THE COMPOUNDS SCRATCH THE FINISH AND OPEN IT TO CORROSION.

DISCLAIMER- BUYER ASSUMES ALL RISK AND LIABILITY WHATSOEVER FROM THE INSTALLATION AND USE OF ARIES PRODUCTS. ARIES PRODUCTS ARE SOLD AS DECORATIVE ACCESSORIES AND SHOULD NOT BE RELIED UPON AS PROTECTION FOR THE VEHICLE OR OCCUPANTS IN THE EVENT OF A COLLISION OR ROLL OVER. ARIES AUTOMOTIVE ASSUMES NO LIABILITY FOR INJURY, LOSS, INCIDENTAL OR CONSEQUENTIAL DAMAGES IN THE EVENT OF A COLLISION OR ROLLOVER.



Shop for quality Aries products on our website.

Learn more about running boards and step bars we have.