

INSTALLATION INSTRUCTION

ITEM NO:4507










APPLICATION:For Ford F250/350/450/550 HD Super Duty 99-14

ATTENTION

1. Please read this installation instruction before installing this part.
When install it, please pay attention to protecting your vehicles.

2. When you use it, please check this parts at a fix time-lapse, such as one month or two month.

PARTS LIST

No	Name	Photo	Qty	Remarks	No	Name	Photo	Qty	Remarks
A	mount bracket		6		F	Clip Nut		12	M10
B	Hex Bolt		24	M10X30	G	"T"Bolt		6	
C	flat washer		32	10mm	H	Flat washer		24	M6
D	Lock washer		20	10mm	I	LOCK NUT		24	M6
E	Hex Nut		12	M10					

INSTALLATION STEPS

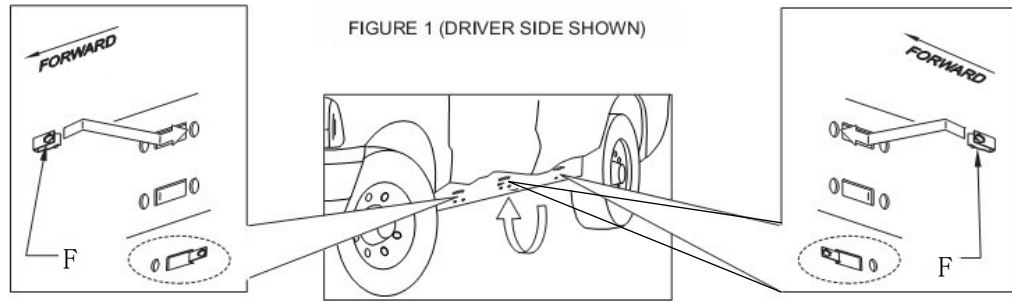


FIGURE 1 (DRIVER SIDE SHOWN)

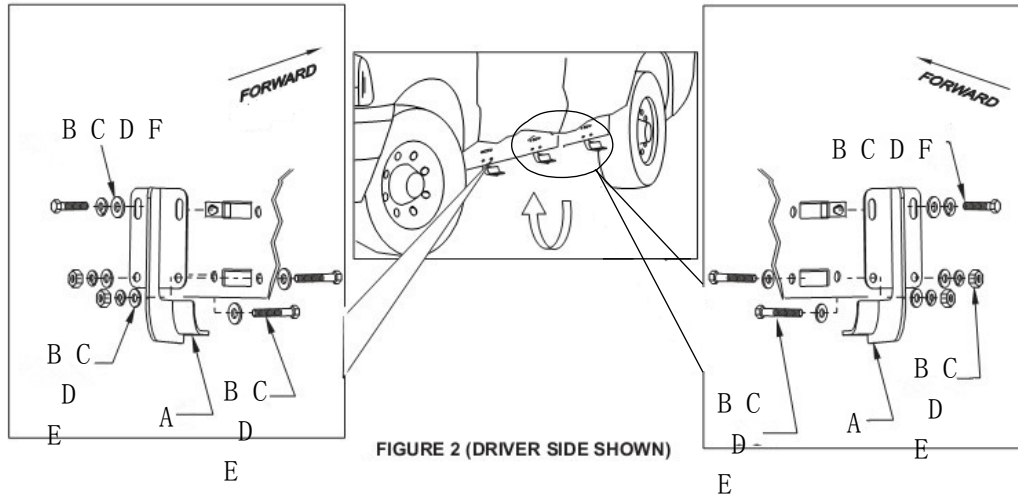


FIGURE 2 (DRIVER SIDE SHOWN)

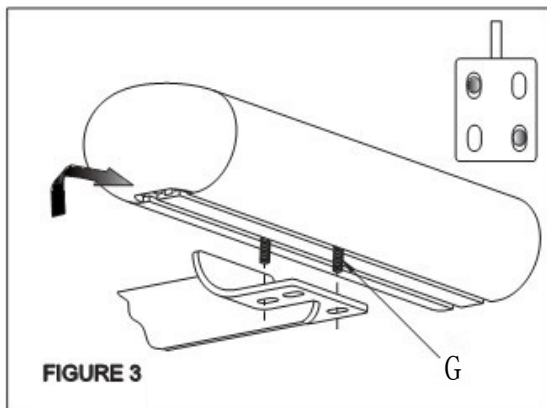


FIGURE 3

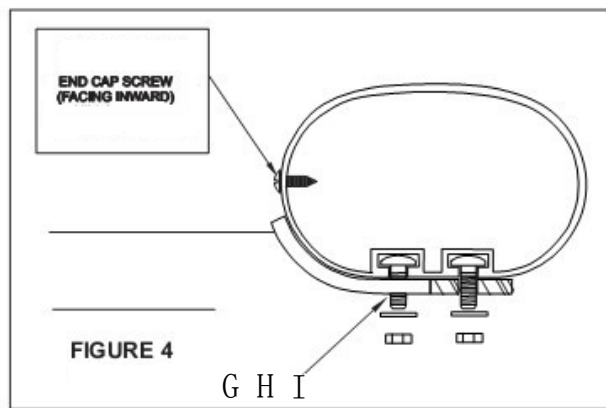


FIGURE 4

- STEP 1. Remove all contents from the received box and check stainless steel tube for any dent. Also verify all brackets and bolts against the parts list.
- STEP 2. Read installation manual and installation drawing completely. Understand all brackets and bolts before installation.
- STEP 3. Insert U-clip (F) to holes in front, middle, and rear of inside pinch weld where brackets will mount. Mount U-clip (F) as shown.
- STEP 4. Mount front, middle, and rear brackets to inside pinch weld using hex head bolts (B), lock (D) and flat (C) washers to U-clip (F) through top set of holes on brackets as shown.
- STEP 5. Mount step bar to mounting brackets using hex head bolt (G), lock (I) flat (H) washers as shown. Hand tighten into nutsert on the bottom of the step bar. Adjust position of step bar and tighten all bolts.

[Learn more about other running boards and step bars by Aries on our website.](#)