

INSTALLATION MANUAL

4491

Level of Difficulty

Easy

Parts List

1	Driver / left side bar*
1	Passenger / right side bar*
1	Driver / left mounting bracket, front
1	Driver / left mounting bracket, rear
1	Passenger / right mounting bracket, front
1	Passenger / right mounting bracket, rear
1	Driver / left brace bracket, rear
1	Passenger / right brace bracket, rear
2	Front brace bracket
2	Bolt plate, M12 x 1.75 - 40mm
4	Hex head cap screw, M12 x 1.75 - 120mm
6	Flat washer, M12
6	Lock washer, M12
2	Hex nut, M12 x 1.75
4	Hex head cap screw, M10 x 1.5 - 25mm
8	Flat washer, M10
4	Lock washer, M10
4	Hex nut, M10 x 1.5
4	Bolt plate, M6 x 1
16	Flat washer, M6
16	Nylock nut, M6 x 1

*Running boards sold separately

Additional Hardware*

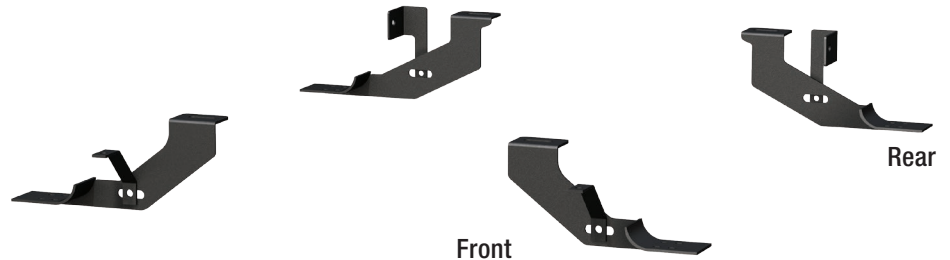
12	Hex bolt, M8
12	Flat washer, M8
12	Lock washer, M8
12	Hex nut, M8

*Aluminum side bars are supplied with additional hardware. Quantities listed are in addition to the standard supplied hardware.

Tools Required

Ratchet	Socket, 10mm
Ratchet Extension	Socket, 13mm
Wrench, 16mm	Socket, 16mm
Level	

Product Photo



6" Oval Side Bars (Not Included)



Notes and Maintenance

Before you begin installation, read all instructions thoroughly.

Proper tools will improve the quality of installation and reduce the time required.

To protect the product, wax after installing. Regular waxing is recommended to add a protective layer over the finish. Do not use any type of polish or wax that may contain abrasives that could damage the finish.

For polished, gloss and other smooth finishes, polish may be used to clear small scratches and scuffs on the finish.

Mild automotive detergent may be used to clean the product. Do not use dish detergent, abrasive cleaners, abrasive pads, wire brushes or other similar products that may damage the finish.

Refer to the table to the left when securing hardware during the installation process to help prevent damage to the product or vehicle.

Torque Specifications

Metric			SAE		
	M6 bolt	3 ft-lbs.		1/4" bolt	3 ft-lbs.
M8 bolt	7 ft-lbs.	5/16" bolt	7 ft-lbs.		
M10 bolt	16 ft-lbs.	3/8" bolt	16 ft-lbs.		
M12 bolt	28 ft-lbs.	7/16" bolt	20 ft-lbs.		
--	--	1/2" bolt	28 ft-lbs.		

Use above torque setting unless otherwise noted

Step 1

Starting with the passenger-side, locate and carefully remove the forward bushing bolt that attaches the cab of the vehicle to the frame.

Attach the passenger-side, front mounting bracket using the provided M12 flat washer, lock washer, and 120mm long bolt. Hold one of the front brace brackets up to the slot of the mounting bracket facing forward.

Remove the bolt on the vehicle that lines up with the top mounting point of the brace bracket and reattach the bracket with the existing hardware. Attach the brace bracket to the slot on the mounting bracket using a provided M10 bolt, two flat washers, lock washer, and hex nut. Do not fully tighten any hardware at this time.

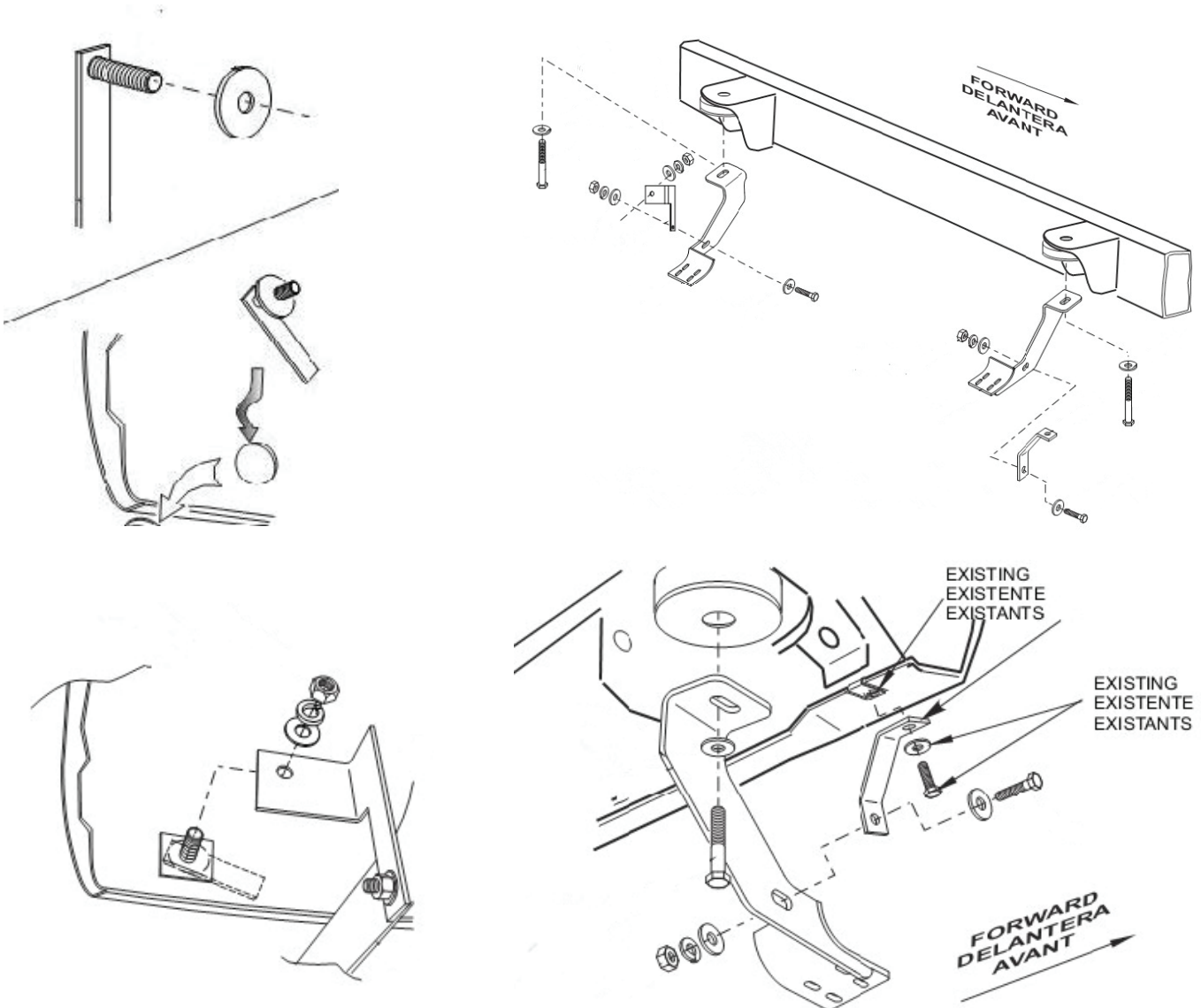
Step 2

Locate and carefully remove the rear, passenger-side bushing bolt. Attach the rear mounting bracket using a provided M12 flat washer, lock washer, and 120mm long bolt.

Locate the hole above the mounting bracket on the rocker panel and remove the plastic cover.

Insert the M12 bolt plate and attach the passenger-side, rear brace bracket using a M12 flat washer, lock washer, and hex nut.

Attach the lower portion of the brace bracket to the mounting bracket using a M10 hex bolt, two flat washers, a lock washer, and hex nut. Do not fully tighten any hardware at this time.



Step 3

Carefully place the side bar onto the brackets with the larger step pad towards the front of the vehicle.



Step 4A - For Polished Stainless Steel Side Bars

Insert the bolt plate into the bottom channel of the side bar and attach with a M6 flat washer and nylock nut.

Snug the hardware with a 10mm socket.

To allow for adjustments, do not over tighten.



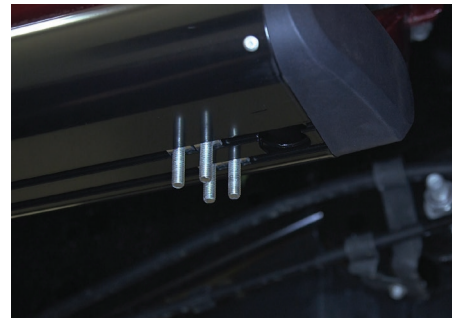
Step 4B - For Semi-Gloss Black, Aluminum Side Bars

Insert four T-bolts into the bottom channels of the side bar as shown.

Slide the bolts forward to the front bracket and insert them through the bracket cradle. Repeat this for the rear bracket.

Secure the side bar to the brackets using eight M8 flat washers, lock washers and hex nuts.

Snug the hardware, but do not fully tighten.



Step 5

Adjust and level the side bar, centering it between the front and rear wheel wells.

With the side bar in position, it is recommended to tighten all brackets to the vehicle first, followed by the side bar connections.



Step 6

Repeat steps 3 through 5 on the driver side of the vehicle.

Congratulations on the installation of your new ARIES 6" oval side bars.

With the side bars installed, periodic inspections should be performed to ensure all mounting hardware remains tight.

To protect your investment, see the 'Notes and Maintenance' section on the first page of this instruction manual.

