

INSTALLATION MANUAL

2055103

This is the first of two manuals required to complete this installation. The second manual is included with your side bars / running boards.

Level of Difficulty

Easy

Parts List

2	Mounting bracket, front
4	Mounting bracket, center / rear
12	Hex bolt, M8
12	Flat washer, M8
12	Lock washer, M8
12	Hex bolt, M10
12	Flat washer, M10
12	Lock washer, M10

Tools Required

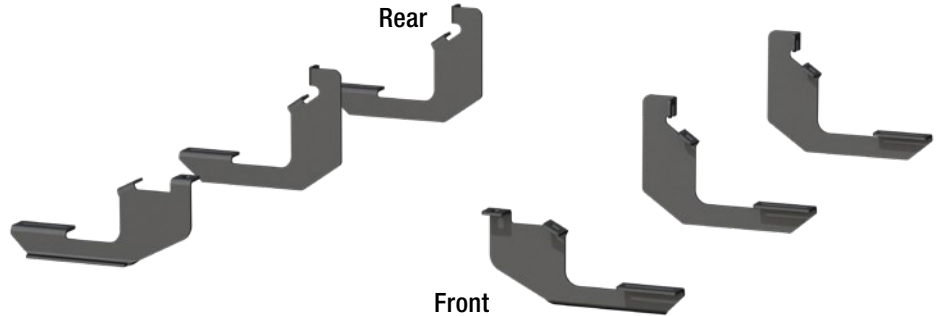
Ratchet	Socket set
Torque wrench	Socket extension

Torque Specifications

M8 bolt	7 ft-lbs.
M10 bolt	35 ft-lbs.

Use above torque setting unless otherwise noted

Product Photo



NOTICE

Before you begin installation, read all instructions thoroughly.

Proper tools will improve the quality of installation and reduce the time required.

To help prevent damage to the product or vehicle, refer to the specified torque specifications when securing hardware during the installation process.

Maintenance

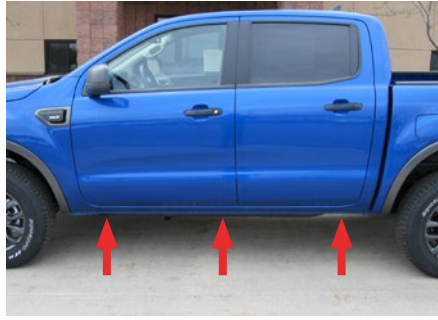
To protect the product, wax after installing. Regular waxing is recommended to add a protective layer over the finish. Do not use any type of polish or wax that may contain abrasives that could damage the finish.

For polished, gloss and other smooth finishes, polish may be used to clear small scratches and scuffs on the finish.

Mild automotive detergent may be used to clean the product. Do not use dish detergent, abrasive cleaners, abrasive pads, wire brushes or other similar products that may damage the finish.

Step 1

Starting on the driver side, locate the three mounting locations underneath the vehicle and remove the factory plastic thread plugs.



Step 2

Using two M10 bolts, lock washers and flat washers, install the front mounting bracket.

Snug the hardware, but do not fully tighten.

Repeat this process for the middle and rear mounting locations.



Step 3

Repeat step 2 for the front, middle and rear mounting locations on the passenger side.

NOTICE

To complete the installation, refer to the manual included with your running boards / side steps.



INSTALLATION MANUAL

2055985

Level of Difficulty

Easy

This is the second of two manuals required to complete this installation. The first manual is included with your mounting brackets.

Parts List

1	Driver / left AdvantEDGE™ side bar
1	Passenger / right AdvantEDGE™ side bar

Attachment hardware is supplied with the mounting brackets. Hardware quantities will vary depending on the vehicle application.

Tools Required

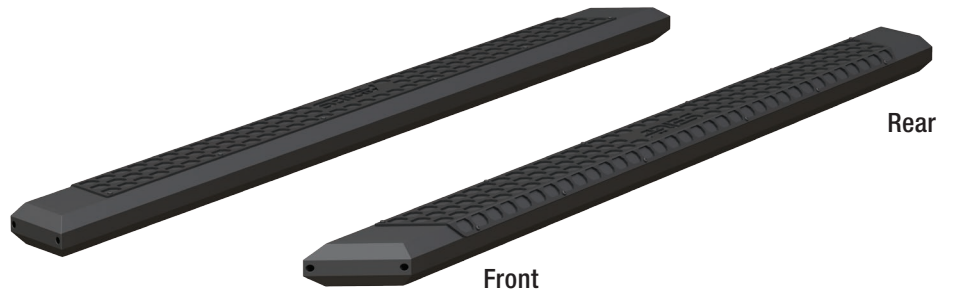
Ratchet set	Torque wrench
-------------	---------------

Torque Specifications

	Metric	SAE
	M6 bolt	3 ft-lbs.
	M8 bolt	7 ft-lbs.
	M10 bolt	16 ft-lbs.
	M12 bolt	28 ft-lbs.
	1/4" bolt	3 ft-lbs.
	5/16" bolt	7 ft-lbs.
	3/8" bolt	16 ft-lbs.
	7/16" bolt	20 ft-lbs.
	1/2" bolt	28 ft-lbs.

Use above torque setting unless otherwise noted

Product Photo



Notes and Maintenance

Before you begin installation, read all instructions thoroughly.

Proper tools will improve the quality of installation and reduce the time required.

To protect the product, wax after installing. Regular waxing is recommended to add a protective layer over the finish. Do not use any type of polish or wax that may contain abrasives that could damage the finish.

For polished, gloss and other smooth finishes, polish may be used to clear small scratches and scuffs on the finish.

Mild automotive detergent may be used to clean the product. Do not use dish detergent, abrasive cleaners, abrasive pads, wire brushes or other similar products that may damage the finish.

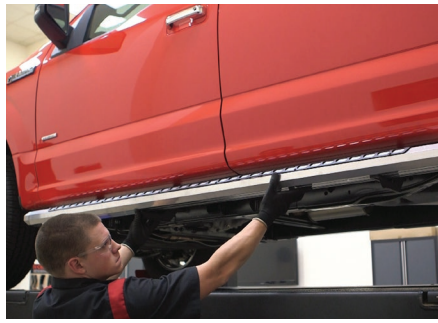
Refer to the table to the left when securing hardware during the installation process to help prevent damage to the product or vehicle.

Step 1

Carefully place the side bar onto the mounting brackets. Ensure the outer edge of the side bar is lined up with the outer edge of the mounting brackets.

Locate the round slots on the bottom of the side bar. Insert a black M8 hex bolt into each slot and slide the pair of bolts to the front mounting bracket.

Repeat until two hex bolts are positioned for each mounting bracket. **Note:** The number of mounting brackets may vary based on application.

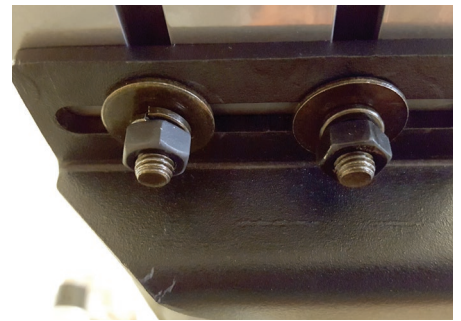
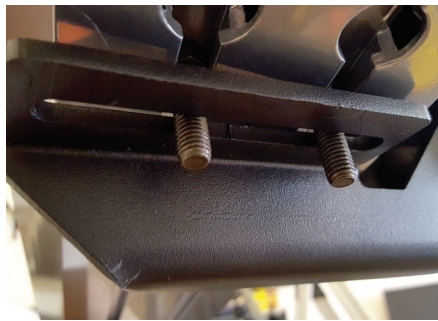


Step 2

Carefully lift the side bar up and adjust the bolts as necessary until they are in line with the slots on the mounting brackets.

Secure the side bar to the brackets using two black flat washers, lock washers and M8 hex nuts per mounting bracket.

Snug the hardware, but do not fully tighten.



Step 3

At this time, adjust the side bar to the desired location.

With the side bar in position, it is recommended to tighten all brackets to the vehicle first, followed by the side bar connections.

For recommended torque specifications, refer to the table on page 1.



Step 4

Repeat all steps for the passenger side of the vehicle.

Congratulations on the installation of your new ARIES AdvantEDGE™ side bars.

With the side bars installed, periodic inspections should be performed to ensure all mounting hardware remains tight.

To protect your investment, see the 'Notes and Maintenance' section on the first page of this installation manual.



Representative Image