



# INSTALLATION MANUAL

## Parts List

1	Bull bar
1	Driver / left mounting bracket
1	Passenger / right mounting bracket
1	Driver side brace bracket
1	Passenger side brace bracket
1	Driver side adapter bracket
1	Passenger side adapter bracket
2	Bolt plate, M12
2	Hex bolt, M12
6	Flat washer, M12
4	Lock washer, M12
4	Hex nut, M12
4	Hex bolt, M10
4	Nylon lock nut, M10
8	Flat washer, M10
4	Hex nut, M8
4	Flat washer, M8
4	Nylon lock nut, M8
2	Hex bolt, M14
2	Lock washer, M14
2	Flat washer, M14
1*	LED wiring harness*

\* Wiring harness only included with LED equipped models

## Tools Required

Ratchet	Socket, 13mm
Box wrench set	Socket, 16mm
Socket set	Socket, 18mm
Level	Extension

## Torque Specifications

<b>METRIC</b>	M6 bolt	3 ft.-lbs.
	M8 bolt	7 ft.-lbs.
	M10 bolt	16 ft.-lbs.
	M12 bolt	28 ft.-lbs.
<b>SAE</b>	1/4" bolt	3 ft.-lbs.
	5/16" bolt	7 ft.-lbs.
	3/8" bolt	16 ft.-lbs.
	7/16" bolt	20 ft.-lbs.
	1/2" bolt	28 ft.-lbs.

## Level of Difficulty

Easy

## Product Image



## Notes and Maintenance

Before you begin installation, read all instructions thoroughly.

Proper tools will improve the quality of installation and reduce the time required.

For chrome powder coat, polish may be used to clear small scratches and scuffs on the finish. Mild soap may be used also to clean the product.

For black finishes, mild soap may be used to clean the product.

Refer to the table to the left when securing hardware during the installation process to help prevent damage to the product or vehicle.

### Step 1

For vehicles with tow hooks, remove them by taking out the two bolts holding them to the frame. The rear bolt will be reused, the forward one will not.

For vehicles without tow hooks, remove the plastic covers from the tow hook openings by loosening the two nuts on top and removing the star washers from the bottom pegs. The cover will pull out through the front.



### Step 2

For vehicles with no tow hooks, loosen the rear bolt just enough to allow the bracket to slide between the bolt and the tube spacer that is welded to the frame.

For vehicles that had tow hooks, reinstall the rear bolt through the rear slot. Secure the forward position using the provided M14 hex bolts, lock washers and flat washers.

Snug but do not fully tighten the hardware at this time.



### Step 3

Place a bolt plate through the rear of the opening shown to the right (passenger side shown).

Locate the passenger side brace bracket and place it on the opposite side of the bolt plate, putting the bolt through the slot of the small tab of the brace bracket. Secure the brace bracket to the bolt plate using an M12 flat washer, lock washer, and hex nut.

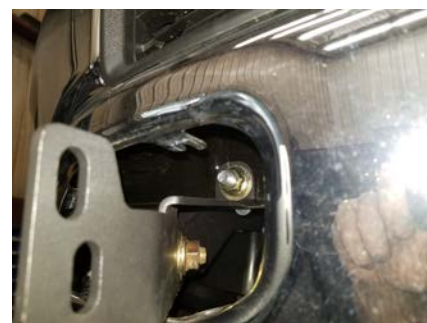
Repeat for driver side. Snug but do not fully tighten at this time.



### Step 4

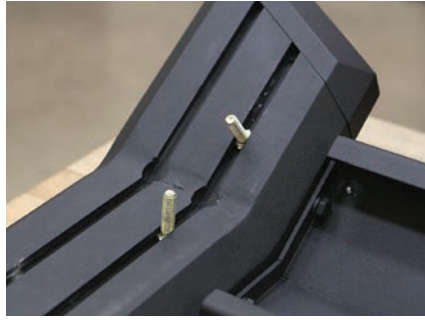
Secure the brace bracket to the tow hook bracket using an M12 hex bolt, two flat washers, lock washer, and hex nut.

Repeat for the driver side. Snug but do not fully tighten at this time.



### Step 5

To attach the bull bar mounting brackets, lay the bull bar on a flat surface. Insert two M8 hex bolts into the inner rail slot.



### Step 6

Place the passenger-side bracket over the bolts and secure the bracket to the bull bar using two M8 flat washers and M8 nylock nuts.

Snug the hardware, but do not fully tighten.

Repeat for the driver-side bracket.



### Step 7

With help, lift the bull bar into place and align the mounting tabs on the outside of the mounting brackets. Insert an M10 hex bolt with flat washer on the outside of the bracket and an M10 flat washer and nylock nut on the inside for each slot. Snug the hardware, but do not fully tighten.



### Step 8

Level and adjust the bull bar into the desired position and tighten all hardware.

Tighten all hardware to the recommended torque specifications listed in the table on the first page.

If your bull bar is not equipped with lights skip to step 11.

If your bull bar is equipped with lights complete steps 9 and 10.

Note: If the LED lights are being used with a 24V system, the 12V relay will need to be replaced with a 24V unit.



### Step 9 - For Models with LED Lights Included

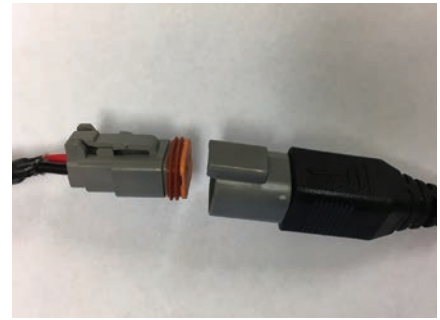
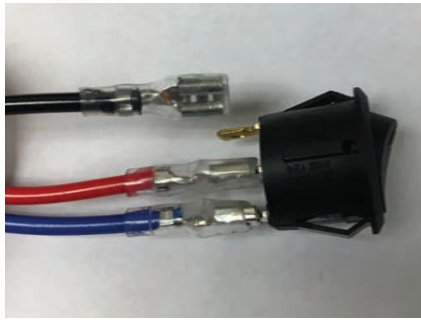
Disconnect the supplied switch from the wire harness and install in desired location.

With the switch installed, route the wire harness to the LED lights and the switch.

Reconnect the blue, red and black spade connectors to the switch as shown.

**Note:** The black wire connects to the gold switch terminal.

Plug the male connector on the wire harness into the female connector attached to the LED lights.



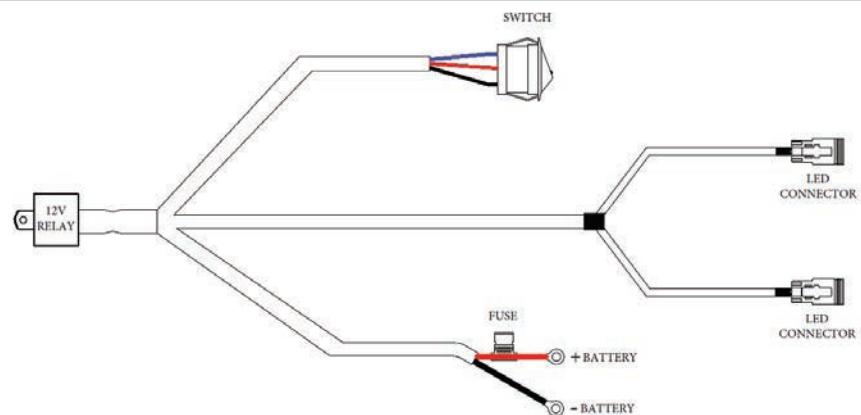
### Step 10 - For Models with LED Lights Included

Connect the red fused wire with the ring terminal to the positive battery post.

Connect the black wire ring terminal to the negative battery post or other suitable vehicle grounding point.

Mount the supplied relay to the vehicle and secure all wires with zip ties away from moving parts to avoid damage.

Test the lights to ensure proper function.



### Step 11

Congratulations on the installation of your new ARIES AdvantEDGE™ bull bar.

With the bull bar installed, periodic inspections should be performed to ensure all mounting hardware remains tight.

To protect your investment, see the 'Notes and Maintenance' section on the first page of this instruction manual.

