



INSTALLATION MANUAL

2156050

Parts List

| | |
|---|---------------------|
| 1 | Angular brush guard |
| 8 | Flat washer, M6 |
| 8 | Lock washer, M6 |

Tools Required

Ball screwdriver, 5mm

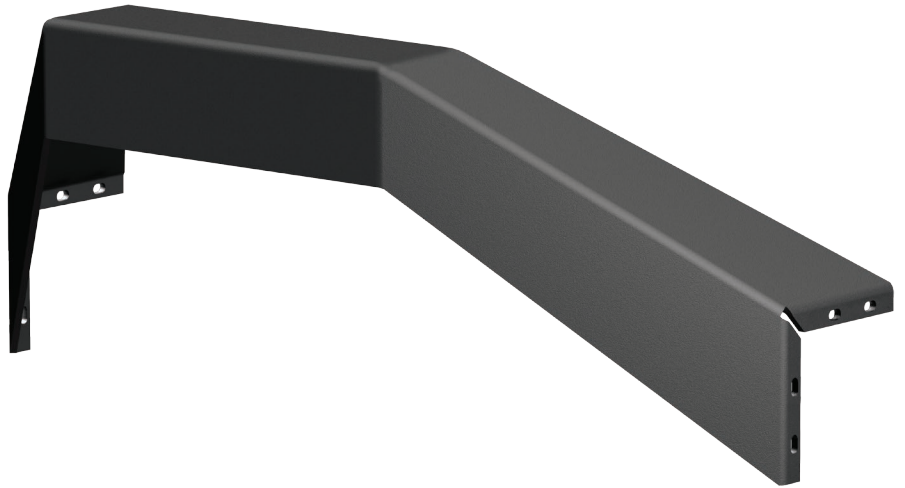
Torque Specifications

| | METRIC | SAE |
|------------|-------------|-------------|
| M6 bolt | 3 ft.-lbs. | |
| M8 bolt | 7 ft.-lbs. | |
| M10 bolt | 16 ft.-lbs. | |
| M12 bolt | 28 ft.-lbs. | |
| 1/4" bolt | | 3 ft.-lbs. |
| 5/16" bolt | | 7 ft.-lbs. |
| 3/8" bolt | | 16 ft.-lbs. |
| 7/16" bolt | | 20 ft.-lbs. |
| 1/2" bolt | | 28 ft.-lbs. |

Level of Difficulty

Easy

Product Image



Notes and Maintenance

Before you begin installation, read all instructions thoroughly.

Proper tools will improve the quality of installation and reduce the time required.

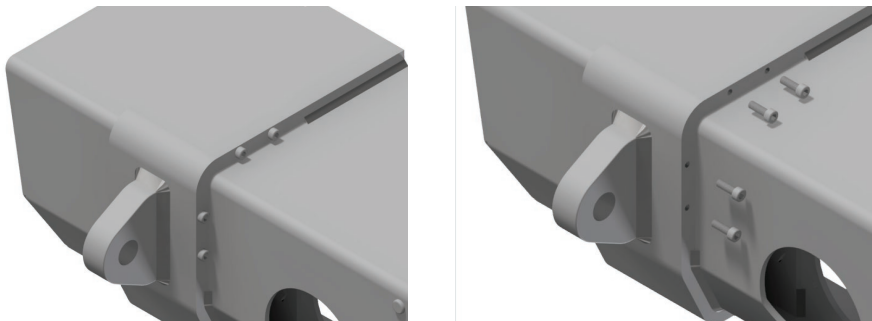
For black finishes, mild soap may be used to clean the product.

Refer to the table to the left when securing hardware during the installation process to help prevent damage to the product or vehicle.

Step 1

The bumper will come with pre-installed M6 socket head cap screws.

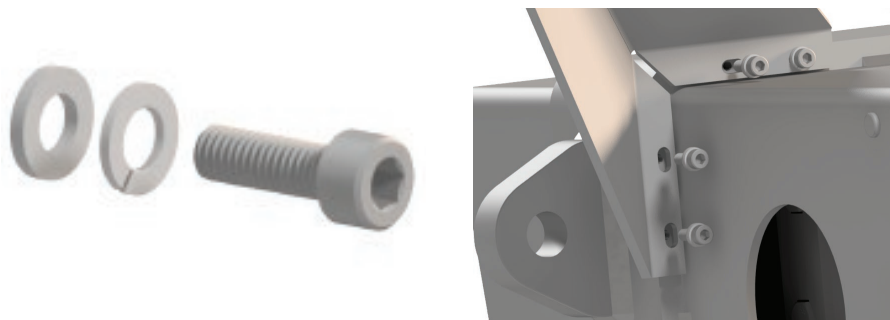
Remove all eight cap screws from the bumper.



Step 2

Place one M6 flat washer and one M6 lock washer on each of the cap screws.

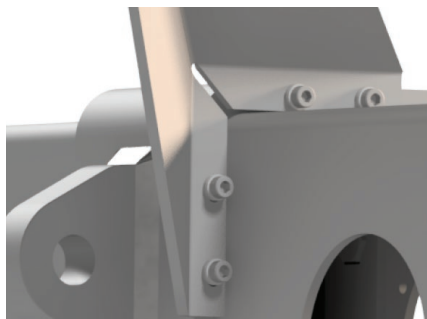
Rest the angular brush guard on the bumper and align the slots with the holes in the bumper.



Step 3

Starting with one screw on either side. Attach the angular brush guard by screwing in each of the socket head cap screws.

Snug the hardware. Do not tighten



Step 4

Make sure the angular brush guard is level and tighten all hardware.

Congratulations on the installation of your new [ARIES angular brush guard](#).

