

INSTALLATION MANUAL

215045

Level of Difficulty

Easy

Parts List

| | |
|----|---|
| 1 | Driver / left side 3" sidebar |
| 1 | Passenger / right side 3" sidebar |
| 2 | Driver front / passenger rear mounting brackets |
| 2 | Passenger front / driver rear mounting brackets |
| 1 | Driver / left side front support bracket |
| 1 | Passenger / right side front support bracket |
| 1 | Driver / left side rear support bracket |
| 1 | Passenger / right side rear support bracket |
| 4 | Hex bolts, 1/2" x 2" |
| 4 | Flat washers, 1/2" x 1-1/2" x 1/8" |
| 4 | Lock washers, 1/2" |
| 12 | Nylon lock nuts, 8-1.25mm |
| 12 | Flat washers, 8mm x 24mm x 2mm |

Torque Specifications

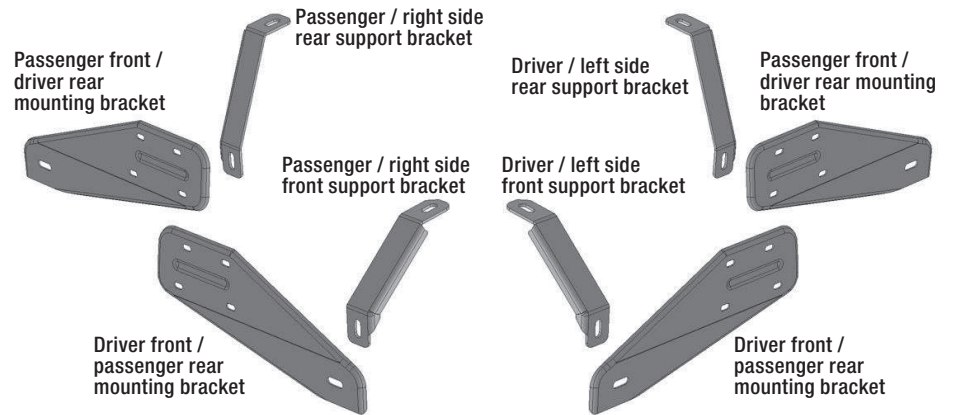
| | Metric | SAE |
|--|------------|-------------|
| | M6 bolt | 3 ft.-lbs. |
| | M8 bolt | 7 ft.-lbs. |
| | M10 bolt | 16 ft.-lbs. |
| | M12 bolt | 28 ft.-lbs. |
| | 1/4" bolt | 3 ft.-lbs. |
| | 5/16" bolt | 7 ft.-lbs. |
| | 3/8" bolt | 16 ft.-lbs. |
| | 7/16" bolt | 20 ft.-lbs. |
| | 1/2" bolt | 28 ft.-lbs. |

Use above torque setting unless otherwise noted

Product Photo



Brackets and Hardware



NOTE: The front support bracket is shorter than the rear support bracket

Notes and Maintenance

Before you begin installation, read all instructions thoroughly.

Proper tools will improve the quality of installation and reduce the time required.

To protect the product, wax after installing. Regular waxing is recommended to add a protective layer over the finish. Do not use any type of polish or wax that may contain abrasives that could damage the finish.

For polished, gloss and other smooth finishes, polish may be used to clear small scratches and scuffs on the finish.

Mild automotive detergent may be used to clean the product. Do not use dish detergent, abrasive cleaners, abrasive pads, wire brushes or other similar products that may damage the finish.

Refer to the last page of this manual for warranty and product registration information.

Refer to the table to the left when securing hardware during the installation process to help prevent damage to the product or vehicle.

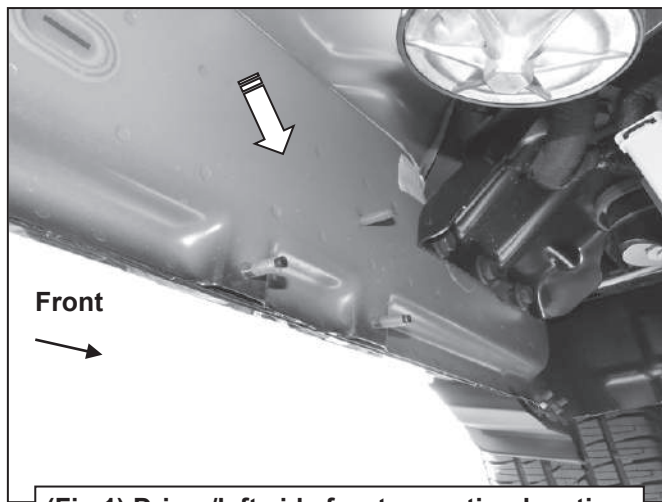
PROCEDURE:

REMOVE CONTENTS FROM BOX. VERIFY ALL PARTS ARE PRESENT. READ INSTRUCTIONS CAREFULLY BEFORE STARTING INSTALLATION. ASSISTANCE IS RECOMMENDED.

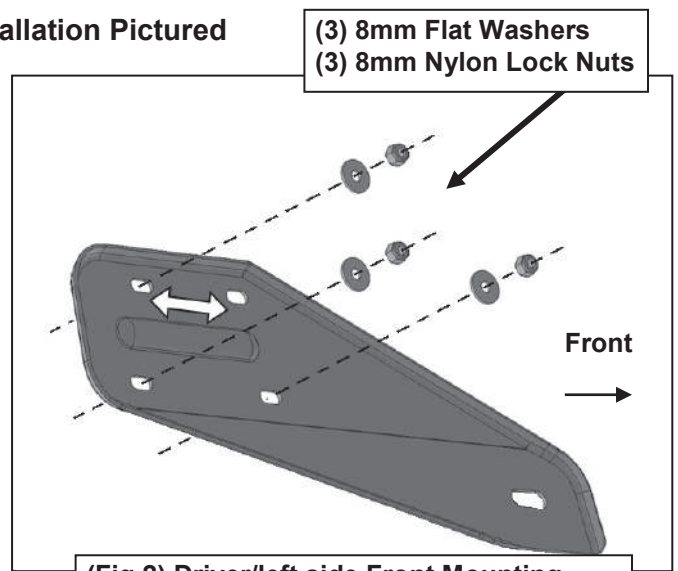
1. Start the installation under the driver/left side of the vehicle. Locate the front (3) factory studs along the inner side of the body panel, **(Figure 1)**. **IMPORTANT:** Use a wire brush or thread die to remove paint buildup from the threaded studs before continuing with installation.
2. Select (1) Driver/left Front Mounting Bracket, **(Figure 2)**. **NOTE:** Driver/left front and passenger/right rear Brackets are the same. Place the Bracket over the studs with the flat side against the body panel. Attach the Bracket to the (3) factory studs with (3) 8mm Flat Washers and (3) 8mm Nylon Lock Nuts, **(Figures 2 & 3)**. Leave Bracket loose at this time.
3. Locate the front body mount next to the installed Bracket, **(Figure 4)**. Remove the body bolt and washer, **(Figure 5)**. **NOTE:** Clean threads on body bolt to remove paint buildup before reinstalling.
4. Select the driver/left Front Support Bracket, **(Figure 6)**. Reuse the factory body bolt and washer to attach the upper slot in the Support Bracket to the body mount. **(Figures 7 & 8)**.
5. Move to the rear mounting location, **(Figure 9)**. Repeat **Steps 1—4** for Driver/left Rear Mounting Bracket and Driver/left Rear Support Bracket installation, **(Figures 10—12)**.
6. Carefully unwrap and select the Driver/left 3" Sidebar. Use the illustration above to help identify the correct Sidebar. With assistance, line up the front end of the tube with the front Bracket, **(Figure 13)**. Attach the front end of the Sidebar to the Front Brackets with the included 1/2" Hex Bolt, 1/2" Lock Washer and 1/2" Flat Washer, **(Figures 13 & 14)**. Do not tighten hardware.
7. Move to the rear of the Sidebar. Repeat **Step 6** to attach the Sidebar to the rear Brackets, **(Figures 15 & 16)**.
8. Level and adjust the Sidebar as necessary and fully tighten all hardware.
9. Repeat **Steps 1—8** for passenger/right Bracket and Sidebar installation.
10. Do periodic inspections to the installation to make sure that all hardware is secure and tight.

To protect your investment, wax this product after installing. Regular waxing is recommended to add a protective layer over the finish. Do not use any type of polish or wax that may contain abrasives that could damage the finish. Mild soap may be used also to clean the Sidebar.

Driver/left Side Installation Pictured



(Fig 1) Driver/left side front mounting location

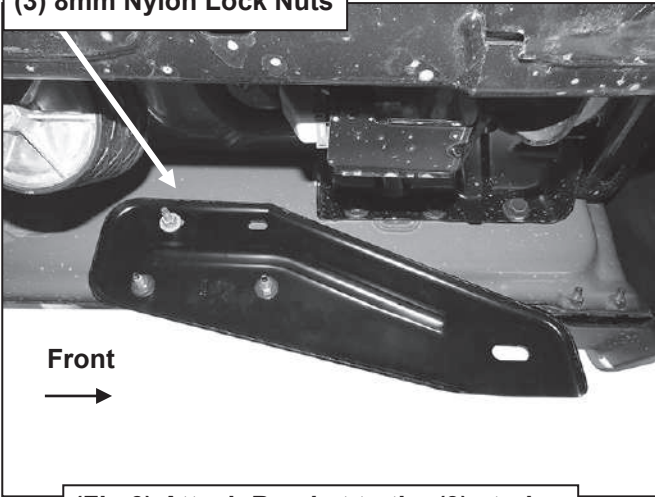


**(3) 8mm Flat Washers
(3) 8mm Nylon Lock Nuts**

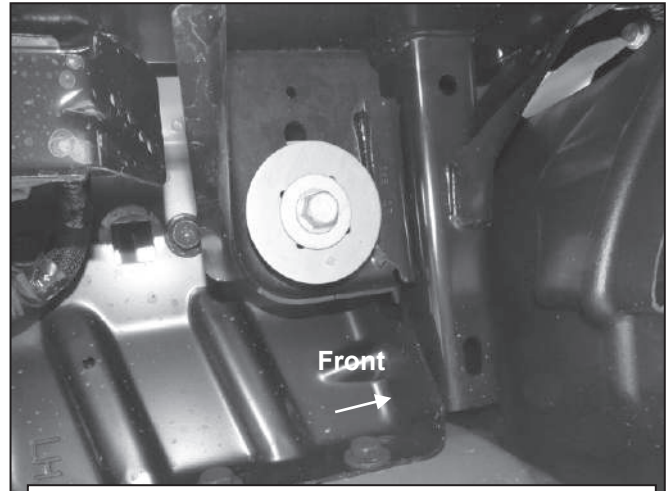
(Fig 2) Driver/left side Front Mounting Bracket attached to Side Panel illustrated

Driver/left Side Installation Pictured

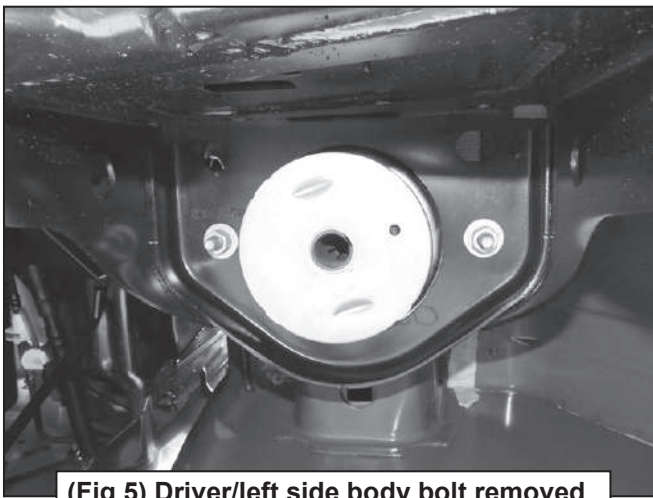
(3) 8mm Flat Washers
(3) 8mm Nylon Lock Nuts



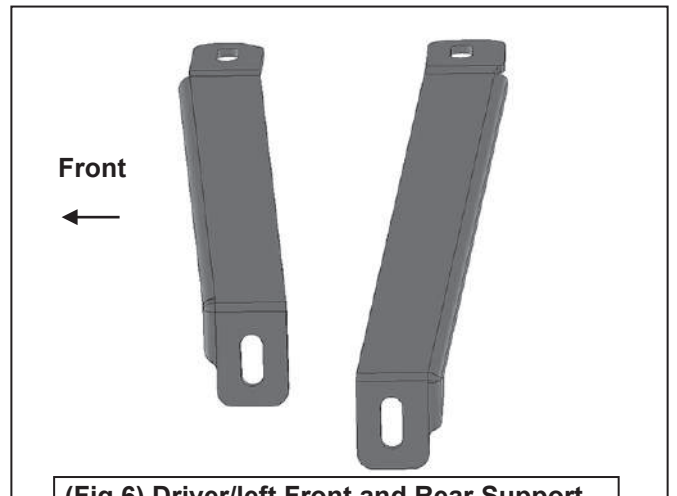
(Fig 3) Attach Bracket to the (3) studs



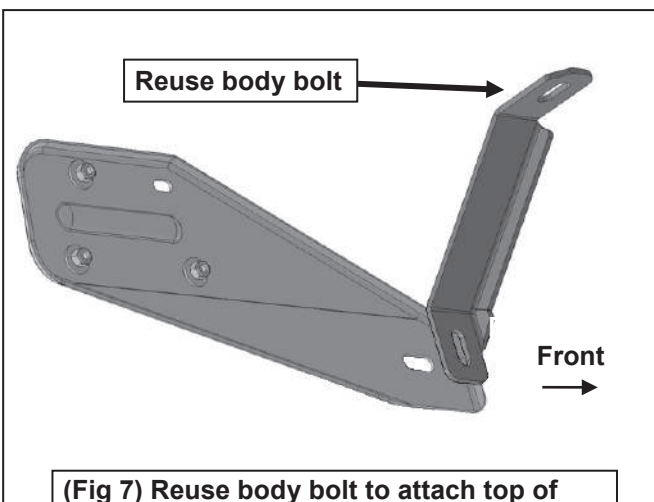
(Fig 4) Locate driver/left side front body mount



(Fig 5) Driver/left side body bolt removed



(Fig 6) Driver/left Front and Rear Support Brackets. NOTE: Front Support Bracket (left) is shorter than the rear (right).

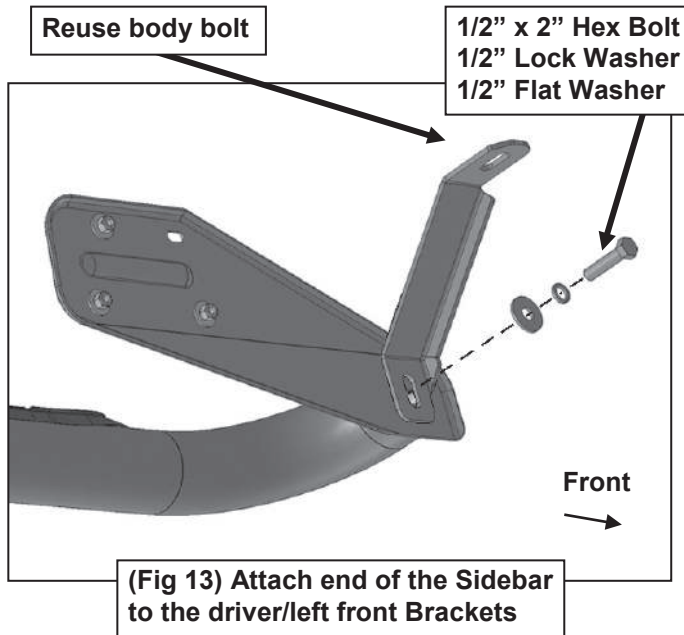
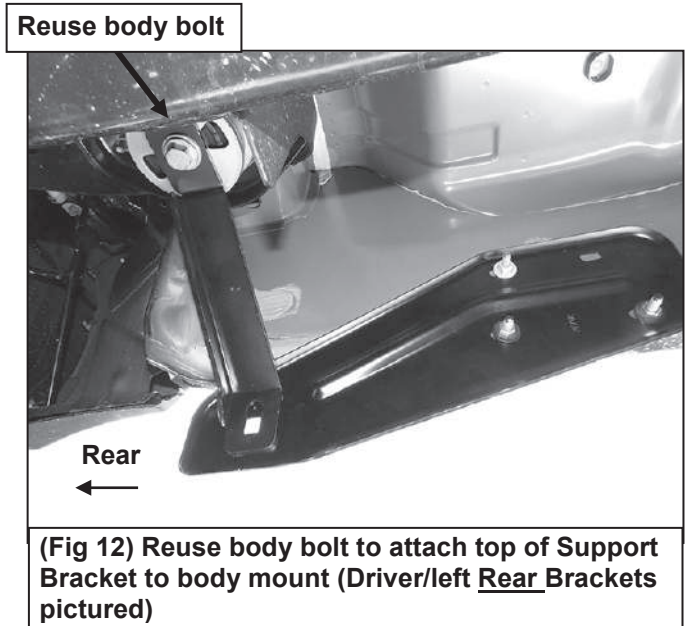
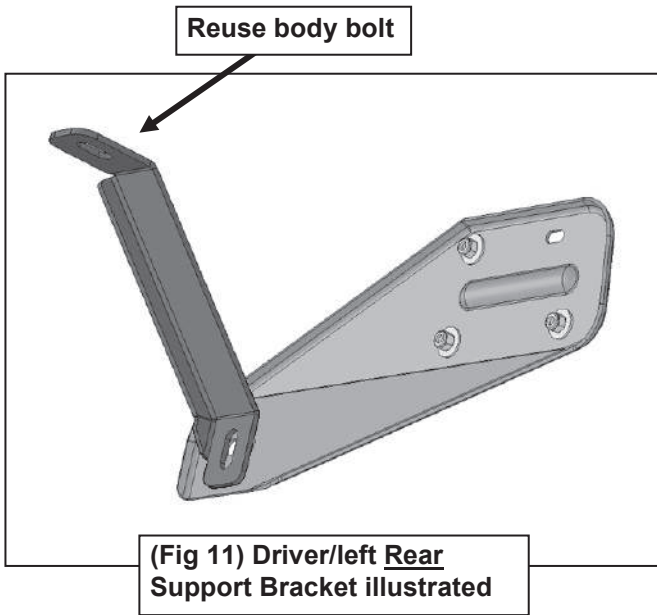
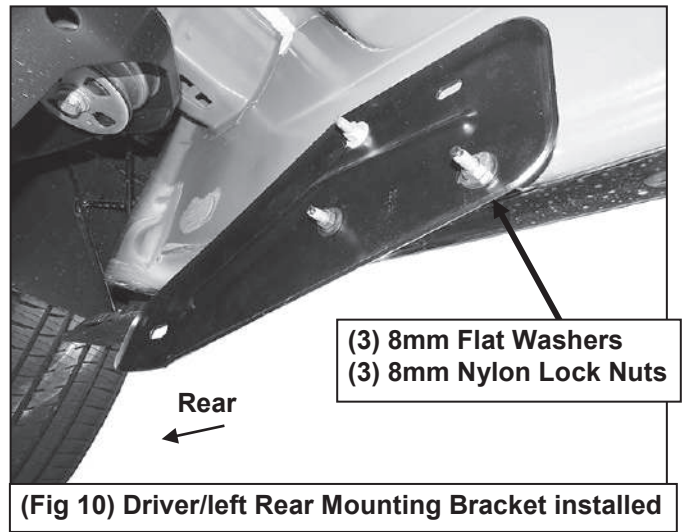
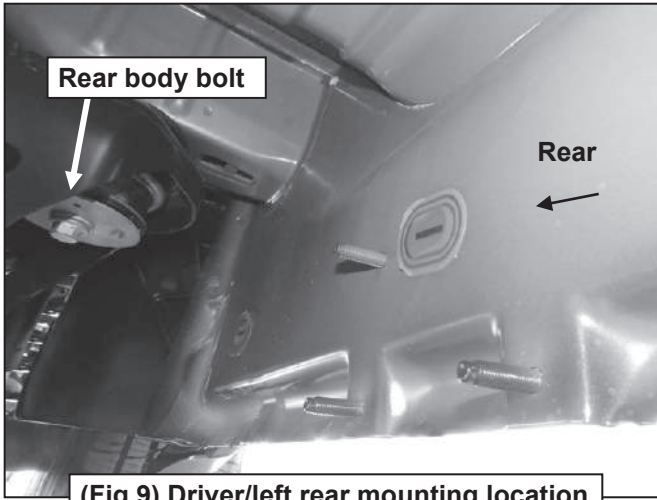


(Fig 7) Reuse body bolt to attach top of Support Bracket to body mount (Driver/left Front Support Bracket illustrated)

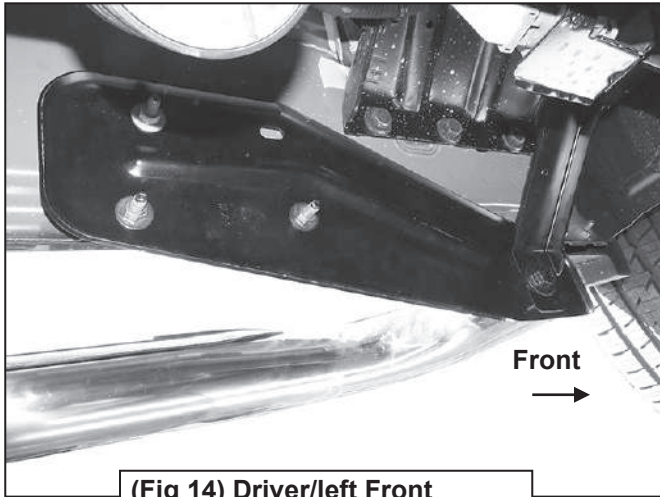


(Fig 8) Driver/left Front Support Bracket attached to body mount

Driver/left Side Installation Pictured

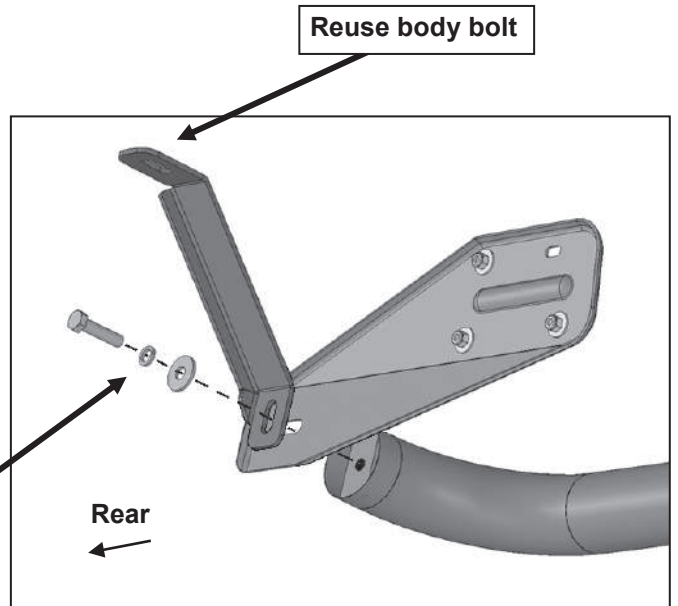


Driver/left Side Installation Pictured

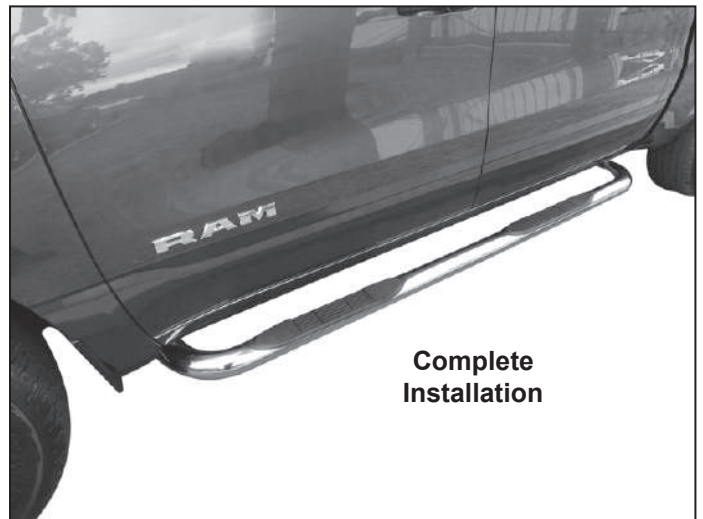
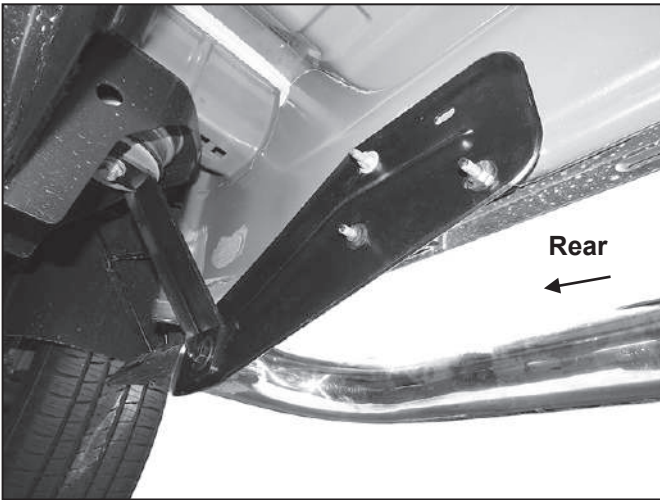


(Fig 14) Driver/left Front Brackets and Sidebar installed

- (2) 1/2" x 2" Hex Bolts
- (2) 1/2" Lock Washers
- (2) 1/2" Flat Washers



(Fig 15) Attach Sidebar to Driver/left Rear Brackets



Complete Installation