

INSTALLATION MANUAL

214013

Level of Difficulty

Easy

Parts List

1	Driver / left sidebar
1	Passenger / right sidebar
1	Driver / left front mounting bracket
1	Passenger / right front mounting bracket
1	Driver / left center support bracket
1	Passenger / right center support bracket
1	Driver / left center mounting bracket
1	Passenger / right center mounting bracket
1	Driver / left rear mounting bracket
1	Passenger / right rear mounting bracket
4	Hex bolt, 1/2" x 2"
4	Lock washer, 1/2"
4	Large flat washer, 1/2" x 1-1/2" OD x 1/8"
6	Hex bolt, 8-1.25mm x 25mm
6	Lock washer, 8mm
6	Flat washer, 8mm x 24mm x 2mm

Product Photo



Notes and Maintenance

Before you begin installation, read all instructions thoroughly.

Proper tools will improve the quality of installation and reduce the time required.

To protect the product, wax after installing. Regular waxing is recommended to add a protective layer over the finish. Do not use any type of polish or wax that may contain abrasives that could damage the finish.

For polished, gloss and other smooth finishes, polish may be used to clear small scratches and scuffs on the finish.

Mild automotive detergent may be used to clean the product. Do not use dish detergent, abrasive cleaners, abrasive pads, wire brushes or other similar products that may damage the finish.

Refer to the table to the left when securing hardware during the installation process to help prevent damage to the product or vehicle.

Torque Specifications

Metric			SAE		
	M6 bolt	3 ft-lbs.		1/4" bolt	3 ft-lbs.
M8 bolt	7 ft-lbs.	5/16" bolt	7 ft-lbs.		
M10 bolt	16 ft-lbs.	3/8" bolt	16 ft-lbs.		
M12 bolt	28 ft-lbs.	7/16" bolt	20 ft-lbs.		
--	--	1/2" bolt	28 ft-lbs.		

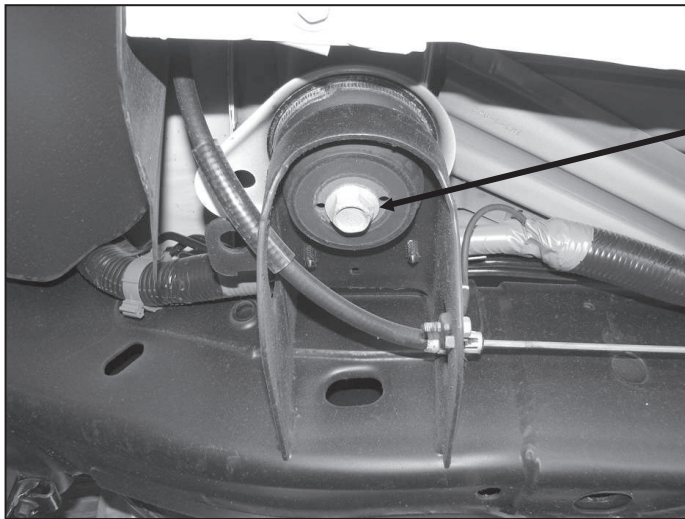
Use above torque setting unless otherwise noted

IMPORTANT ALERT: GM uses a very strong thread-locking compound on all body bolts. Use of an air assisted impact ratchet can cause damage to the threads on factory body mount bolts and the internal nut assembly because of this thread locking compound.

We only recommend the use of hand tools to slowly remove and reinstall body mount bolts on all GM vehicles.

PROCEDURE:

CRITICAL INFORMATION: If during the removal process, it becomes increasingly difficult to unscrew the body mount bolt with hand tools, tighten the bolt several rotations to clear the thread locking compound from the threads, then reverse direction and continue to unscrew until the body mount bolt is out. Repeat this process as necessary on all GM body mount bolts. Use of an appropriate anti-seize compound is highly recommended for re-installation. Tighten body mount bolt to factory torque specifications for your particular model year.



Example of GM factory body mount bolt

PROCEDURE:

REMOVE CONTENTS FROM BOX. VERIFY ALL PARTS ARE PRESENT. READ THE "FACTORY BODY BOLT REMOVAL INSTRUCTIONS" AND INSTALLATION INSTRUCTIONS CAREFULLY BEFORE STARTING INSTALLATION. ASSISTANCE IS RECOMMENDED.

1. Start installation on the front, driver side of the vehicle. Remove the front body mount bolt, **(Figure 1)**.
2. Select the driver side front Mounting Bracket, **(Figure 2A)**. Insert the factory body mount bolt through the Mounting Bracket, factory washer if equipped and up into the mount. Snug but do not fully tighten the body bolt at this time, **(Figure 2B)**. **VERY IMPORTANT!** To prevent unnecessary noise, adjust the position of all Mounting Brackets so that once tightened, the Mounting Brackets cannot come in contact with the factory steel body mount bracket.
3. Move to the center body mount, **(Figure 3)**. Remove the body bolt as previously described. Determine correct procedure for your model and year.

2014-On 1500 Crew Cab:

- a. Select the driver/left Support Bracket, **(Figure 4A)**. Repeat **Step 2** to install the Center Support Bracket only, **(Figure 4B)**.

1999-2013 1500, 1999-2015 25-3500:

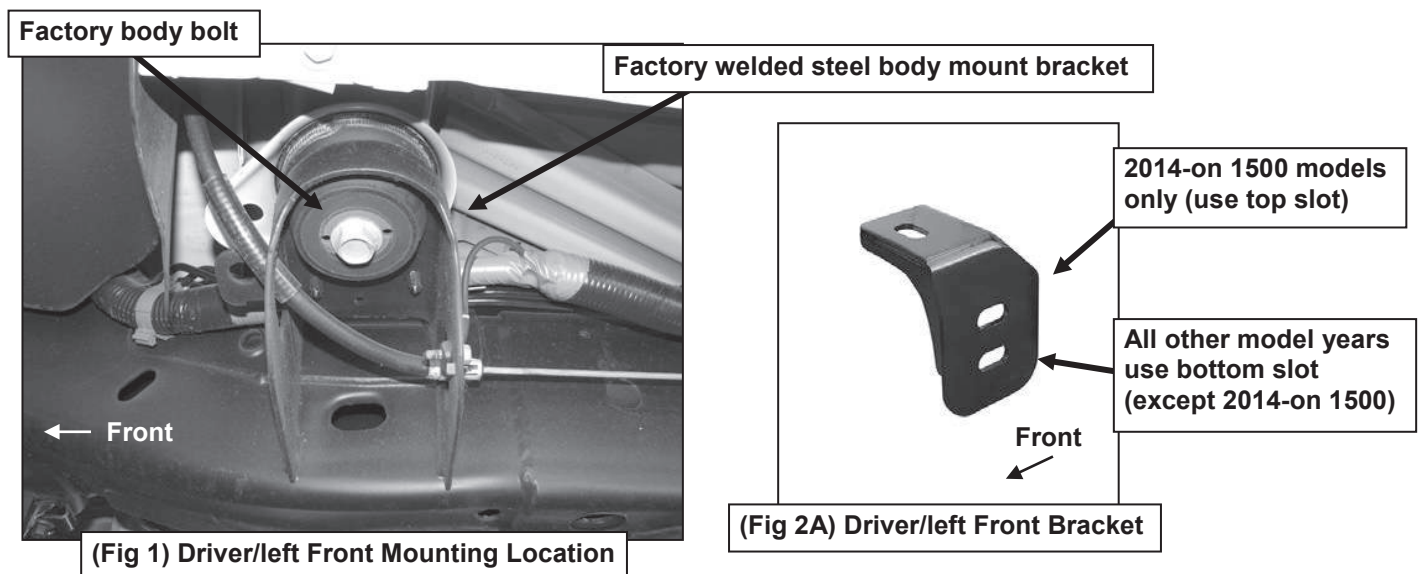
- a. Select the driver side Center Mounting Bracket, **(Figure 4A)**. Attach the Mounting Bracket to the body mount as previously described in **Step 2, (Figure 4C)**. Make sure the Bracket is straight and tighten the body bolt.
- b. Select the driver side Center Support Bracket, **(Figure 4A)**. Bolt the Support Bracket to the inside of the Mounting Bracket with (2) 8mm Hex Bolts, (2) 8mm Lock Washers and (2) 8mm Flat Washers, **(Figure 4C)**. Leave 8mm hardware loose.
4. Move toward the rear of the vehicle. Select the driver side Rear Mounting Bracket, **(Figure 5A)**. Bolt the rear Mounting Bracket in place as previously described in **Step 2, (Figure 5B)**.
5. With assistance, position the diver/left Sidebar up to the front Mounting Bracket. Determine the correct mounting hole to use:
2014-On 1500 Crew Cab: Attach the Sidebar to the top slot in the front Bracket, **(Figures 2A & 6)**.
1999-2013 1500, 1999-2015 25-3500: Attach the Sidebar to the bottom slot in the front Bracket, **(Figures 2A & 6)**.
6. Attach the front and rear of the Sidebar to the Brackets with the included (2) 1/2" x 2" Hex Bolts, (2) 1/2" Lock Washers and (2) 1/2" Flat Washers, **(Figures 6 & 8)**. Do not tighten hardware at this time.
7. Attach the center Mounting Bracket to the Sidebar with the included (1) 8mm x 25mm Hex Bolt, (1) 8mm Lock Washer and (1) 8mm Flat Washer, **(Figure 7)**. If the Bracket does not line up with the insert, it may be necessary to loosen the body bolt slightly to move the Bracket. Do not tighten the 8mm hardware at this time.
8. Level and adjust the Sidebar and tighten all hardware. Check all mounting locations for clearance between the factory steel body mount brackets and the Mounting Brackets. Adjust Brackets if necessary and once satisfied with fit, fully tighten all hardware.
9. Repeat **Steps 1—8** for passenger Sidebar installation.
10. Do periodic inspections to the installation to make sure that all hardware is secure and tight.

To protect your investment, wax this product after installing. Regular waxing is recommended to add a protective layer over the finish. Do not use any type of polish or wax that may contain abrasives that could damage the finish.

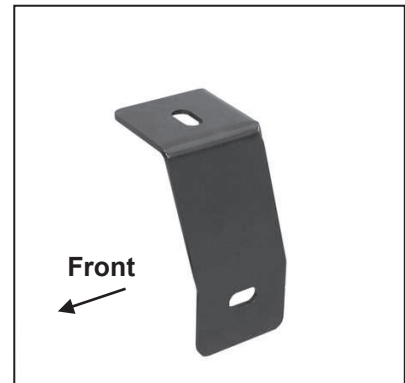
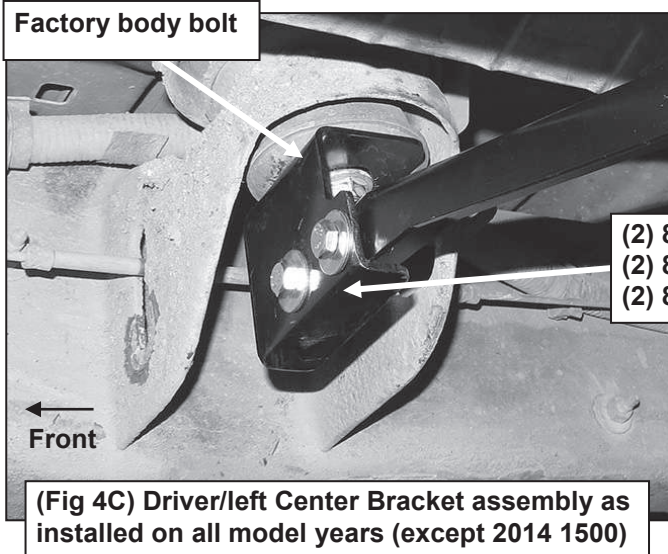
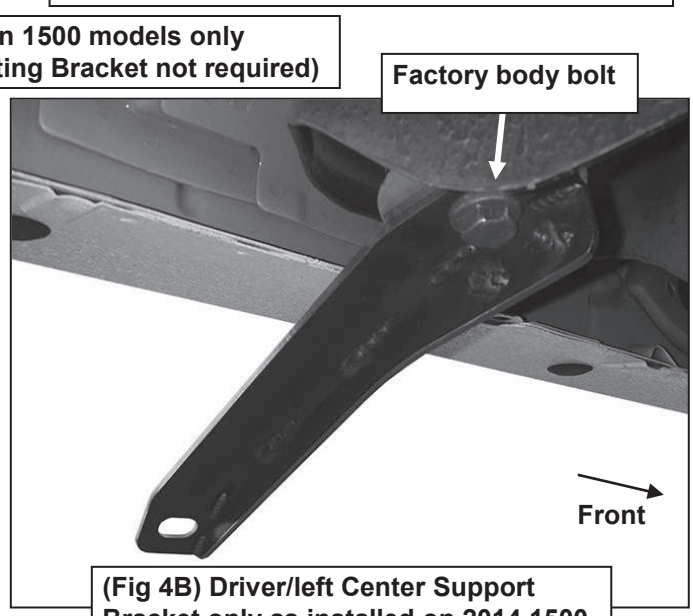
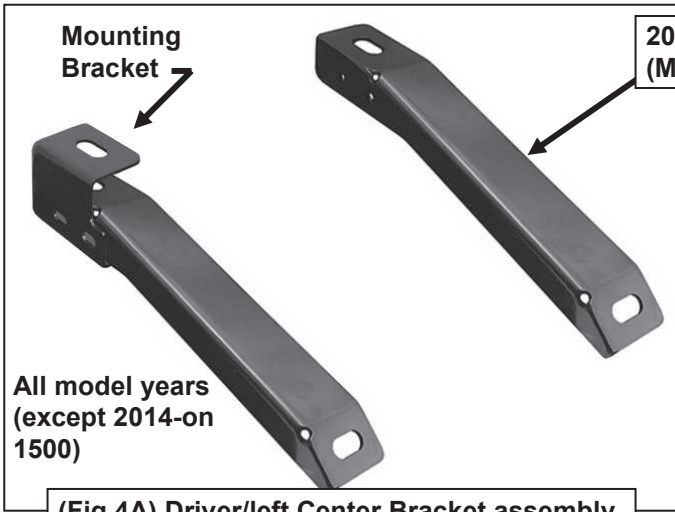
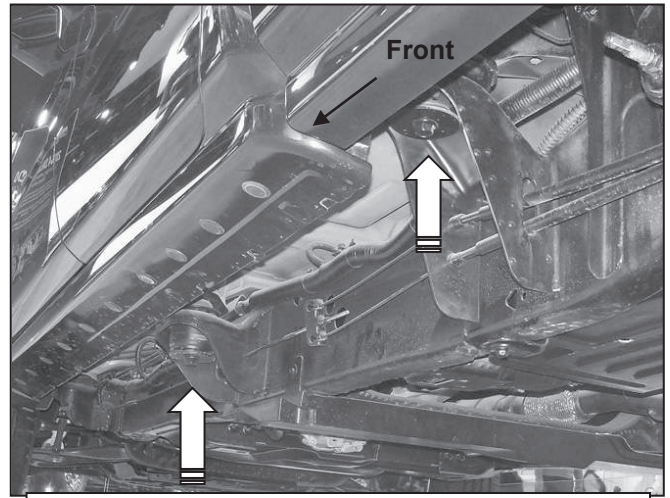
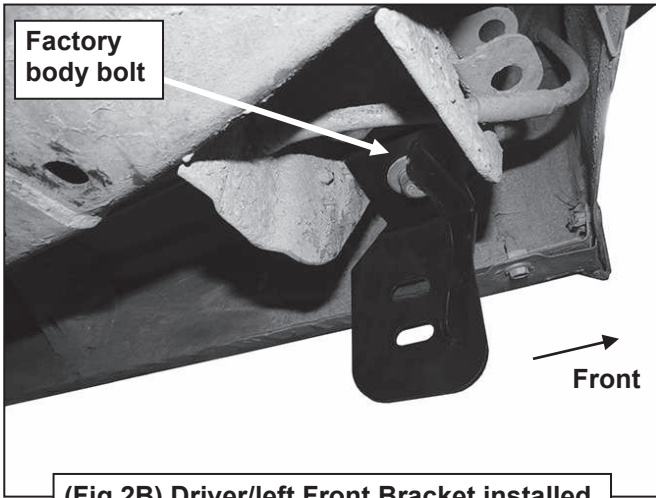
For stainless steel: Aluminum polish may be used to polish small scratches and scuffs on the finish. Mild soap may be used also to clean the Sidebar.

For gloss black finishes: Mild soap may be used to clean the Sidebar.

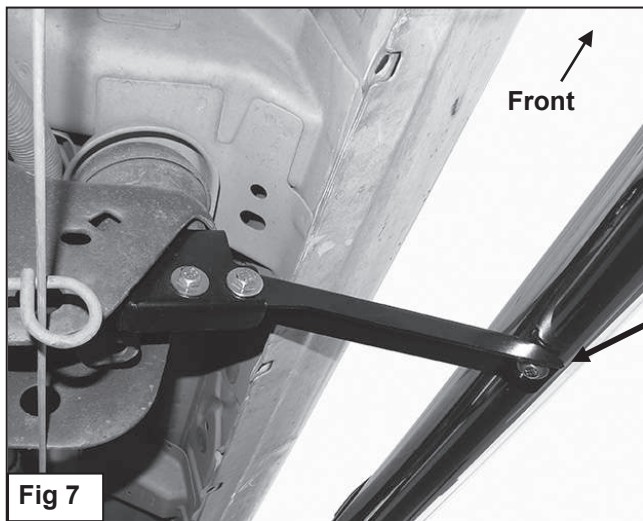
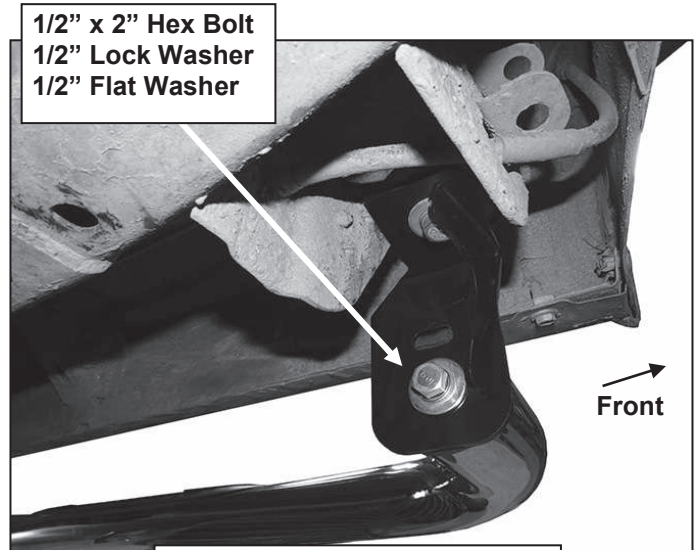
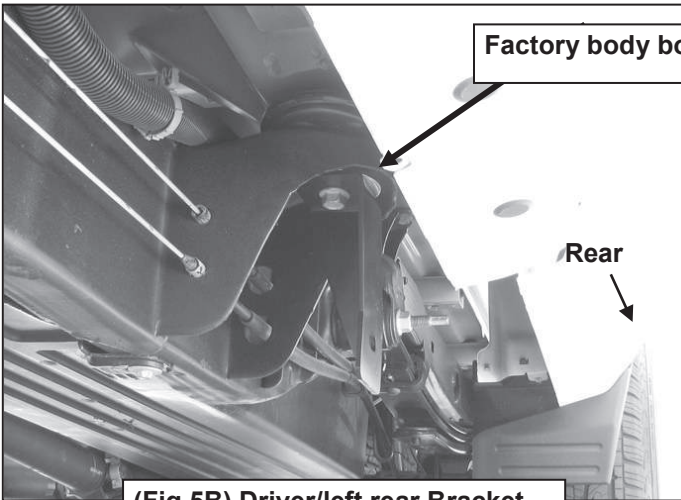
Driver side installation pictured



Driver side installation pictured

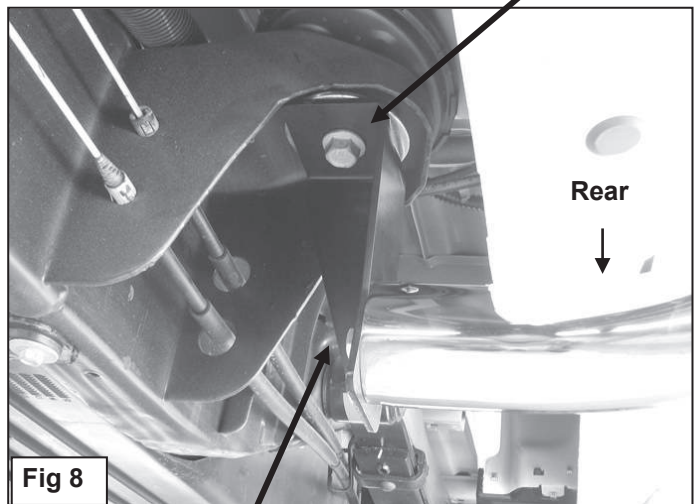


Driver side installation pictured



8mm x 25mm Hex Bolt
8mm Lock Washer
8mm Flat Washer

Factory body bolt



1/2" x 2" Hex Bolt
1/2" Lock Washer
1/2" Flat Washer

